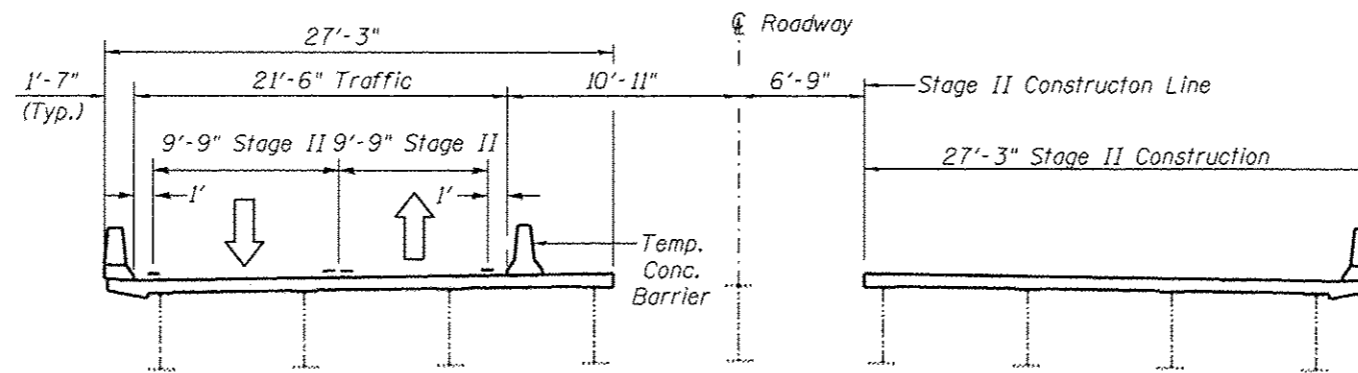


Stage I Cross Section
(Looking North)



Stage II Cross Section
(Looking North)

USER NAME = sparkgu	DESIGNED - BTM	REVISED -	STATE OF ILLINOIS DEPARTMENT OF TRANSPORTATION	MAINTENANCE OF TRAFFIC - STAGING DETAILS TR 420 (OVERPASS RD.)				F.A.I. RTE. 1722	SECTION *	COUNTY SANGAMON	TOTAL SHEETS 194	SHEET NO. 100
PLOT SCALE = 1/2" = 10'-0"	DRAWN - BTM	REVISED -		SCALE:	SHEET NO.	OF SHEETS	STA.	TO STA.	* (84-10-1RS-3, 84-10-2RS-4) BR, I			
PLOT DATE = Sep-05-2013 09:19:32AM	CHECKED - JSA	REVISED -		CONTRACT NO. 72C90								
DATE - 12/19/12	REVISED -	REVISED -		ILLINOIS FED. AID PROJECT								