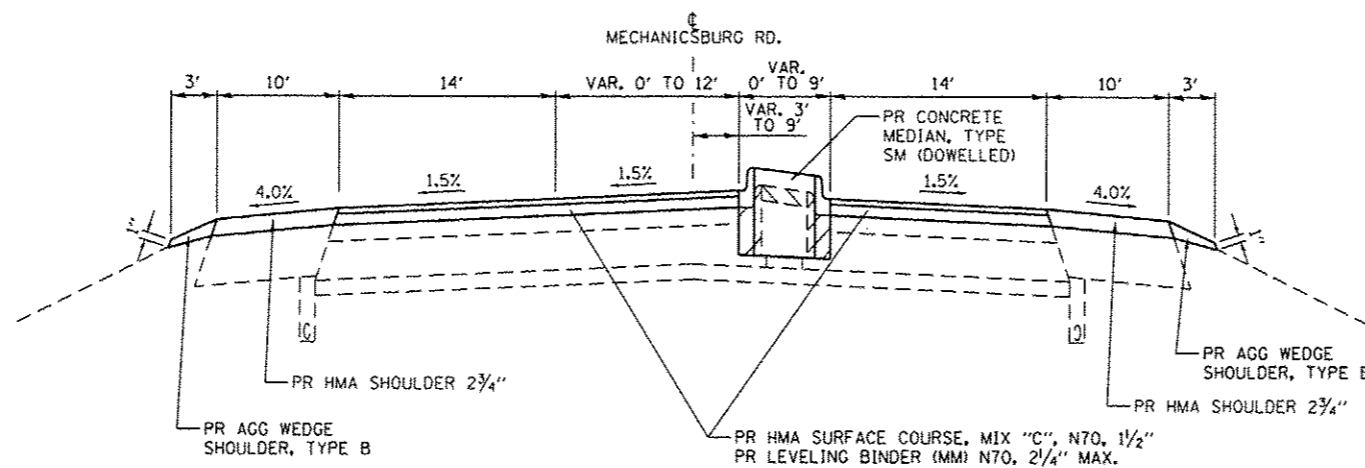
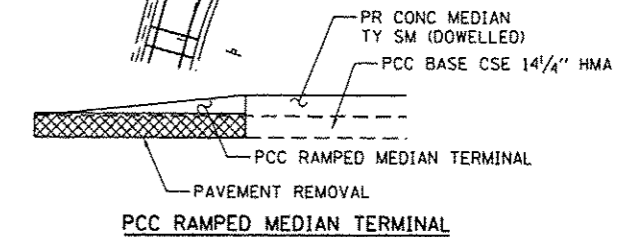
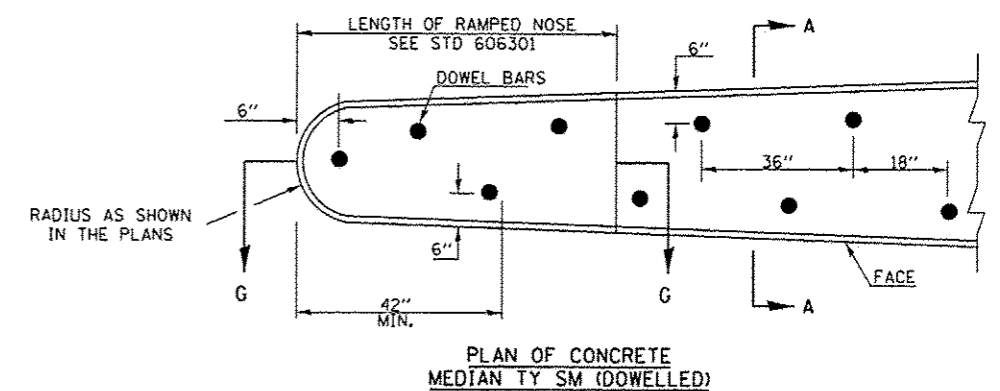
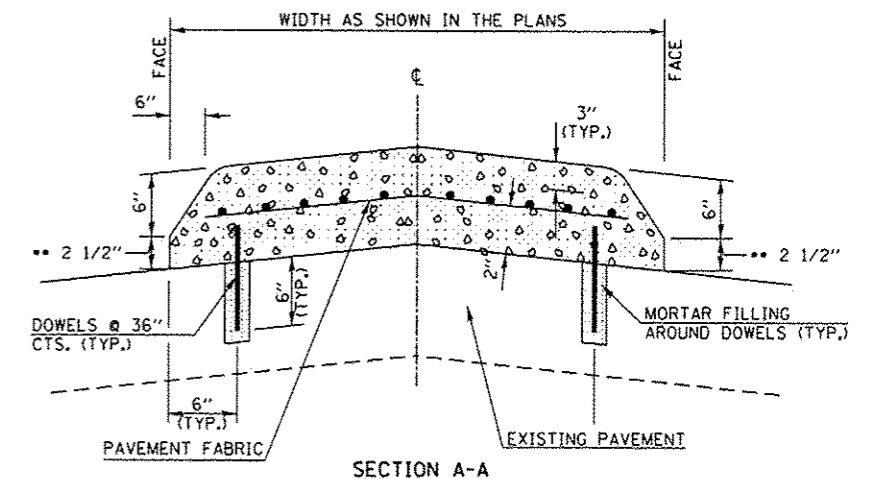


SEQUENCE OF OPERATIONS

1. CONSTRUCT CONCRETE MEDIAN TYPE SM (DOWELLED)
2. REMOVE 6 FOOT OF PCC BASE COURSE 1 1/4" AND CONSTRUCT PCC RAMPED MEDIAN TERMINALS.
3. MILL EXISTING HMA OVERLAY AT EACH END OF BRIDGE AND BUTT JOINTS.
4. PLACE LEVELING BINDER, HMA SURFACE COURSE, HMA SHOULDERS, AND AGGREGATE SHOULDERS.
5. INSTALL PAVEMENT MARKINGS



STA. 94+84.16 TO STA. 98.46.99
 STA. 101+63.10 TO STA. 105+10.33



USER NAME = sparkage	DESIGNED - BTM	REVISED -
PLOT SCALE = 100,000 1/4" = 100'	DRAWN - BTM	REVISED -
PLOT DATE = Sep-06-2013 09:25:20AM	CHECKED - JSA	REVISED -
	DATE - 12/19/12	REVISED -

STATE OF ILLINOIS
 DEPARTMENT OF TRANSPORTATION

DOWELED MEDIAN DETAIL
 CH 12 (MECHANICSBURG RD.) - FINAL PHASE

SCALE: SHEET NO. OF SHEETS STA. 94+50.00 TO STA. 108+00.00

F.A.I. RTE.	SECTION	COUNTY	TOTAL SHEETS	SHEET NO.
1722	*	SANGAMON	194	111
*184-10-1RS-3,84-10-2RS-4JBR.1		CONTRACT NO. 72C90		
ILLINOIS FED. AID PROJECT				