

INSIDE ELEVATION OF PARAPET

Aluminum sheeted joints in base of parapet

Non-staining gray one component non-sag elastomeric gun grade polyurethane sealant meeting the requirements of ASTM C-920, Type S, Grade NS, Class 25, use T with a 5/8" backer rod.

1/2" Preformed Self-Expanding Cork Joint Filler according to Article 1051.07 of the Std. Spec. Cost included with Concrete Superstructure.

Const. Jts. at Piers 1/8" Aluminum sheet ASTM B 209 alloy 3003-H14 coated to minimize reaction with wet concrete. Cost included with Concrete Superstructure

PARAPET JOINT DETAILS

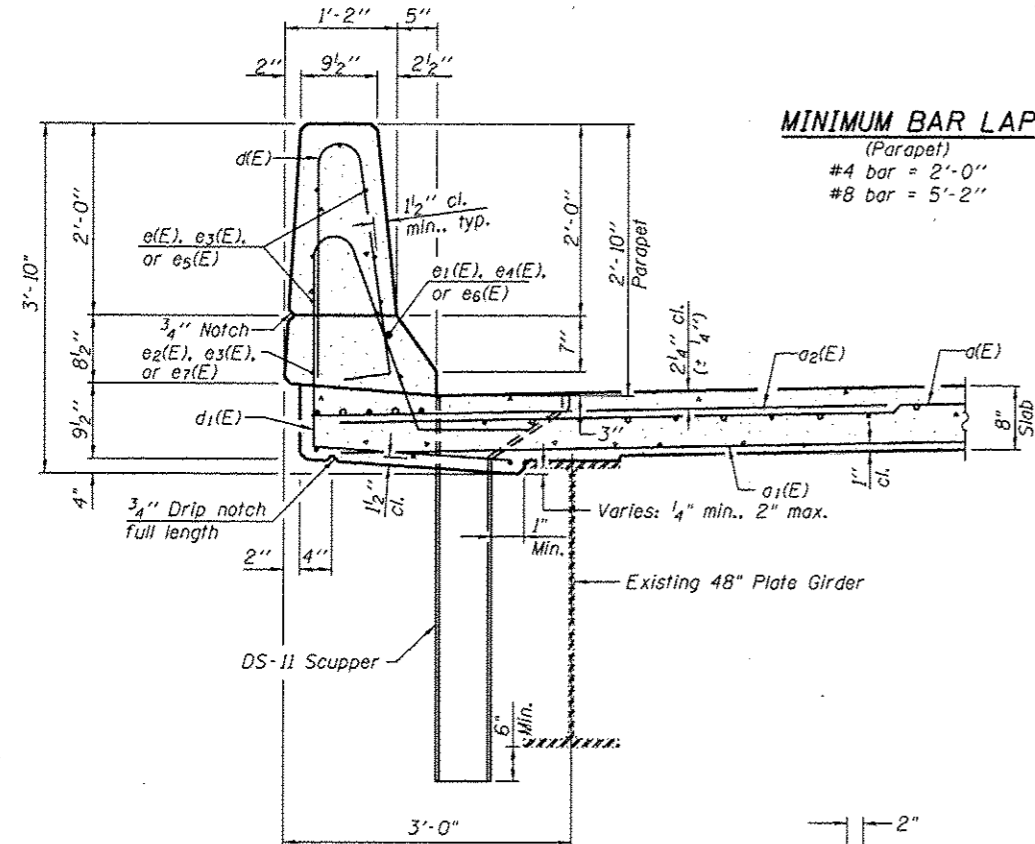
Notes:

Drains shall be located clear of all diaphragms. The exterior surfaces of the floor drains shall be painted with the finish coat as specified in the special provisions for Cleaning and Painting New Metal Structures. The exterior surfaces of the drains shall be cleaned according to the Society of Protective Coating's Spec. SSPC-SPI prior to painting. Fiberglass pipe shall conform to ASTM D 2996, with short-time rupture strength hoop tensile stress of 30,000 p.s.i. minimum. Galvanize clamping device according to AASHTO M232. Cost of clamping device and inserts is included with Concrete Superstructure.

SUPERSTRUCTURE BILL OF MATERIAL

Bar	No.	Size	Length	Shape
d(E)	718	#5	26'-6"	
a1(E)	520	#5	27'-4"	
a2(E)	360	#6	6'-6"	
a3(E)	20	#5	16'-11"	
a4(E)	4	#6	26'-8"	
a5(E)	16	#5	26'-11"	
a6(E)	619	#5	16'-8"	
a7(E)	36	#5	8'-9"	
b(E)	532	#5	30'-0"	
b1(E)	134	#6	32'-5"	
b2(E)	372	#5	34'-7"	
b10(E)	32	#5	2'-0"	
d1(E)	426	#5	5'-7"	
d1(E)	424	#5	7'-7"	
e(E)	56	#4	18'-2"	
e1(E)	6	#8	28'-1"	
e2(E)	6	#4	26'-0"	
e3(E)	32	#4	16'-10"	
e4(E)	4	#8	16'-10"	
e5(E)	70	#4	16'-11"	
e6(E)	8	#8	25'-5"	
e7(E)	8	#4	23'-1"	
s(E)	34	#4	4'-3"	
x(E)	104	#5	6'-5"	
z(E)	390	#5	5'-2"	
z1(E)	780	#5	2'-6"	
Reinforcement Bars, Epoxy Coated		Pound	100,880	
Concrete Superstructure		Cu. Yds.	414.5	

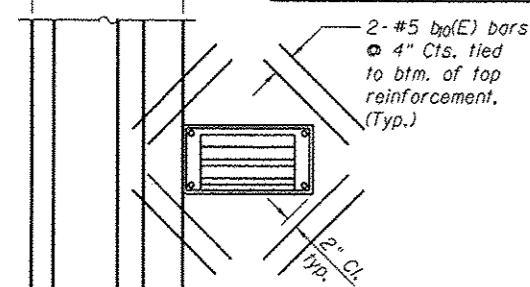
Bars indicated thus 1 x 3 - #8 etc. indicates 1 line of bars with 3 lengths per line.



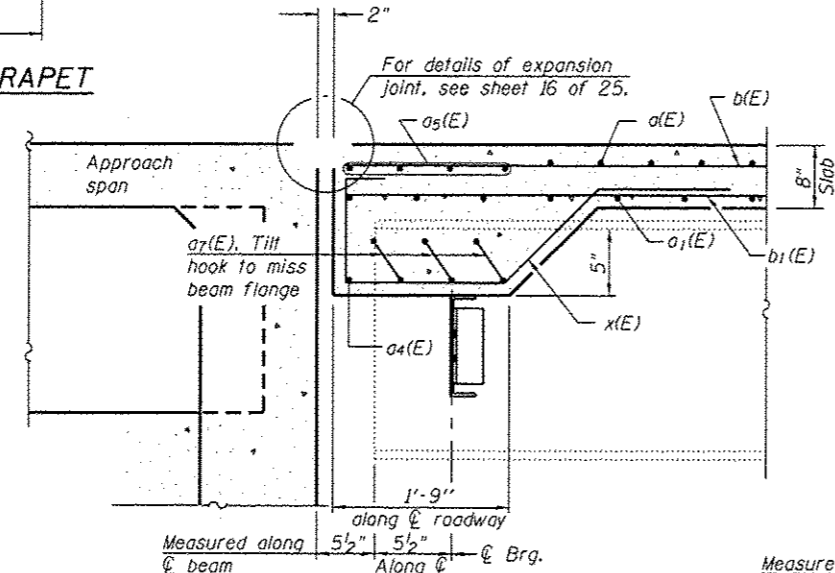
MINIMUM BAR LAP

(Parapet)
#4 bar = 2'-0"
#8 bar = 5'-2"

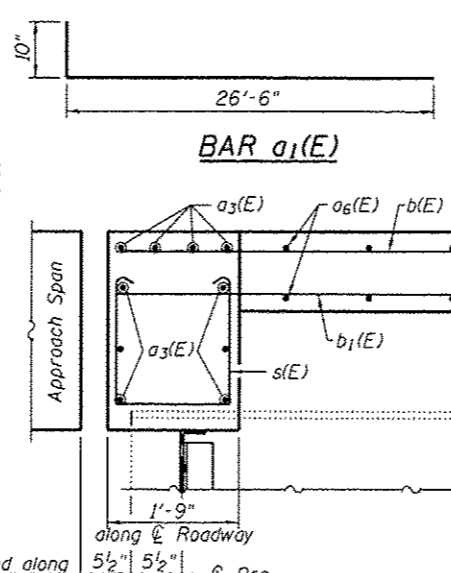
SECTION THRU PARAPET



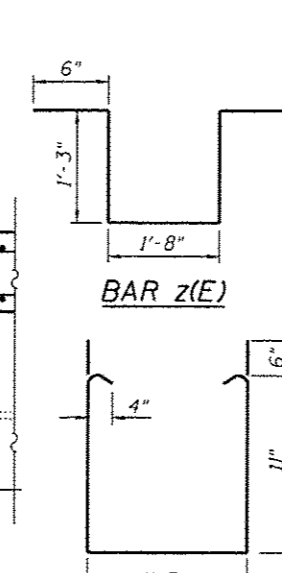
DRAINAGE SCUPPER DETAIL



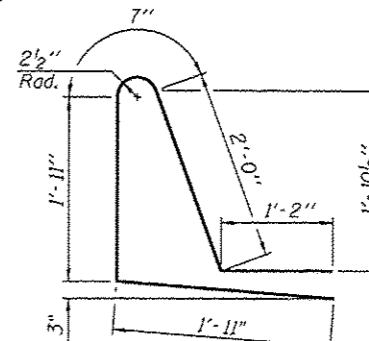
SECTION A-A



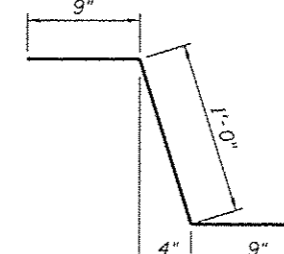
SECTION B-B



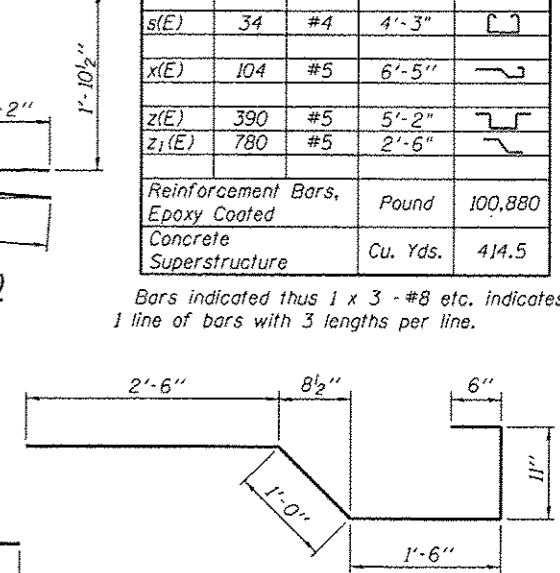
BAR s(E)



BAR z1(E)



BAR z(E)



BAR x(E)

FILE NAME = CH12 over FAI-72.dgn	USER NAME =	DESIGNED - SAL	REVISED
		CHECKED - MTH	REVISED -
		DRAWN - TJW	REVISED -
		CHECKED - MTH	REVISED -

STATE OF ILLINOIS
DEPARTMENT OF TRANSPORTATION

SUPERSTRUCTURE DETAILS
MECHANICSBURG RD. OVER F.A.I.-72 - S.N. 084-0150

SHEET NO. 9 OF 27 SHEETS

F.A.I. RTE.	SECTION	COUNTY	TOTAL SHEETS	SHEET NO.
72		SANGAMON	194	121
* (84-10-1RS-3, 84-10-2RS-RIBR.1			CONTRACT NO. 72C90	
FED. ROAD DIST. NO. 6 ILLINOIS FED. AID PROJECT				