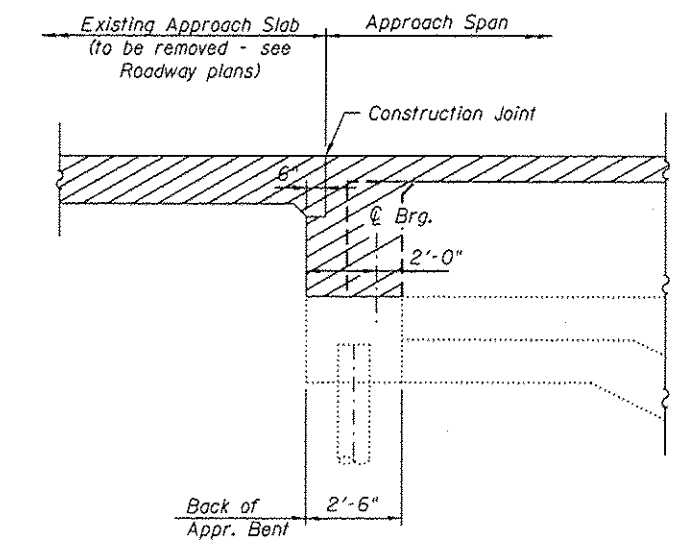
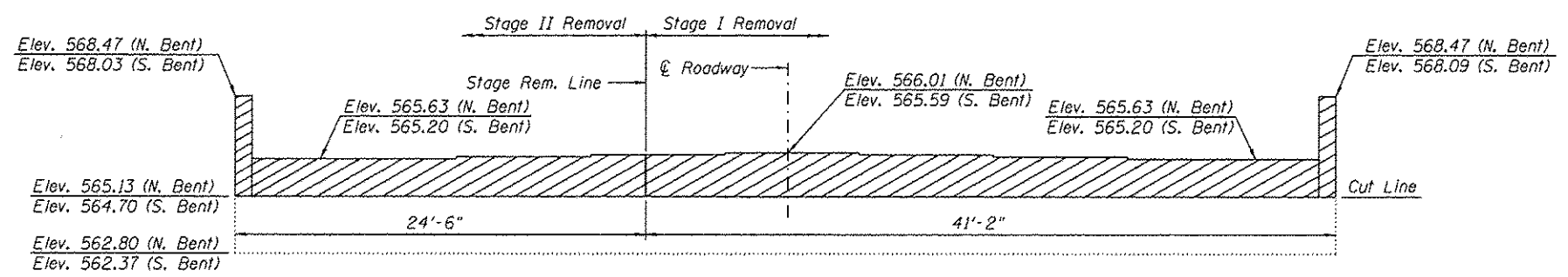


PLAN

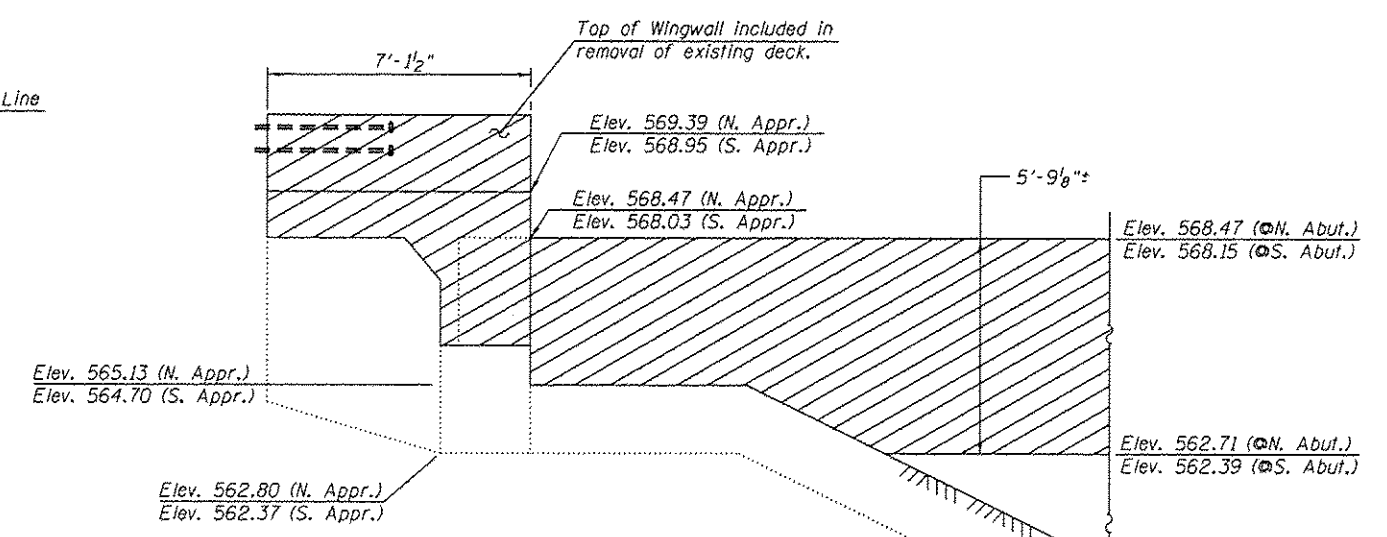


SECTION A-A



ELEVATION

(N. Appr. Bent Shown, S. Appr. Bent Similar)



OUTSIDE ELEVATION OF WING WALL (Looking East)

Notes:  
 Hatched area indicates Concrete Removal.  
 Existing reinforcement bars extending into the new construction shall be cleaned, straightened and incorporated into the new construction. Cost included with Concrete Removal.  
 Existing reinforcement bars not extending into the new construction shall be cut off and covered with a 2" layer of cement grout. Cost included with Concrete Removal.  
 Elevations based off datum difference of -0.62' from existing plans

BILL OF MATERIAL

Item	Unit	Total
Concrete Removal	Cu. Yd.	59.0