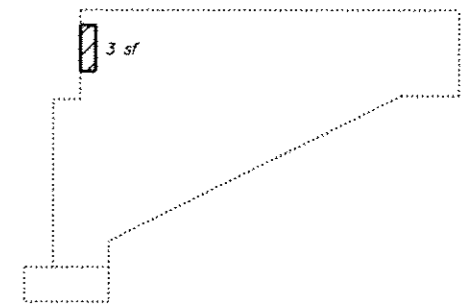
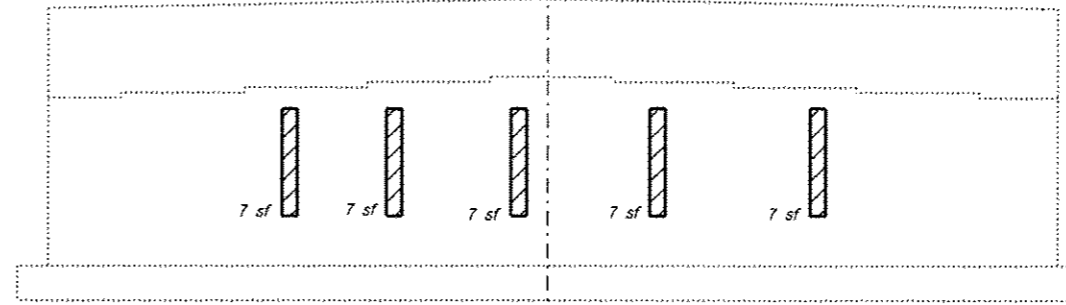
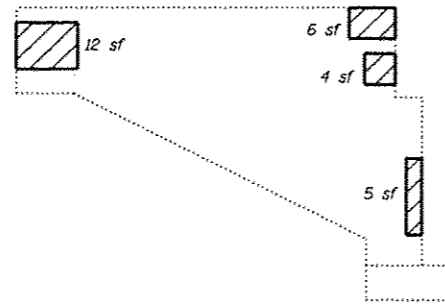
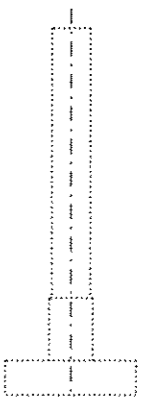
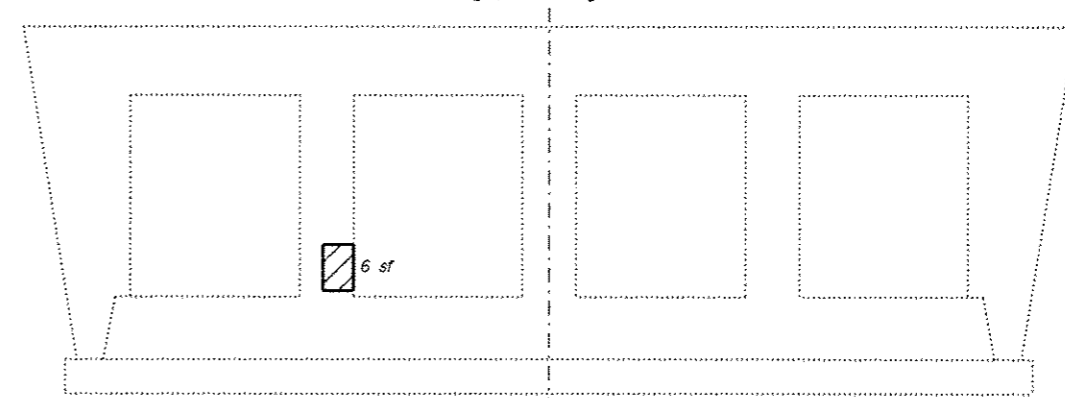
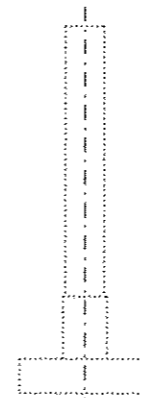
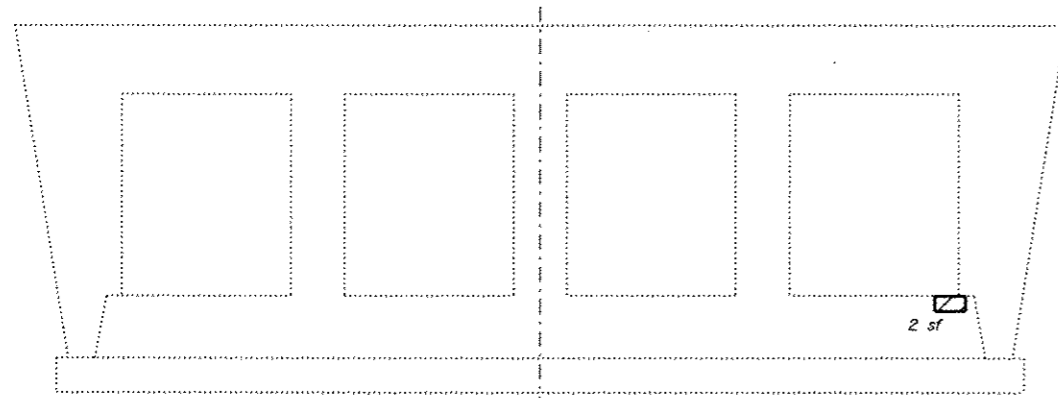


℄ Mechanicsburg Rd.



N. ABUTMENT
(Looking North)

℄ Mechanicsburg Rd.



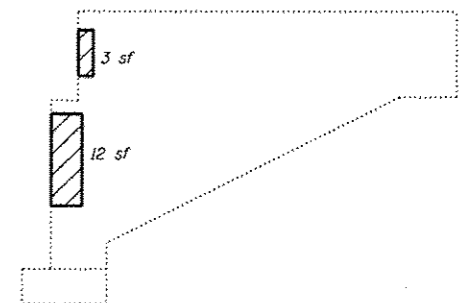
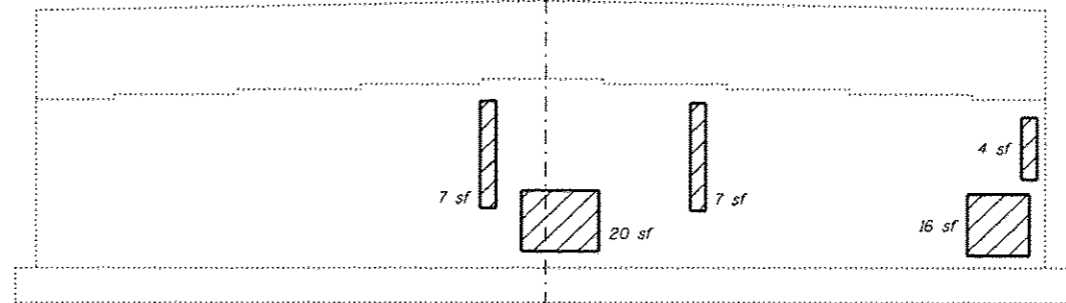
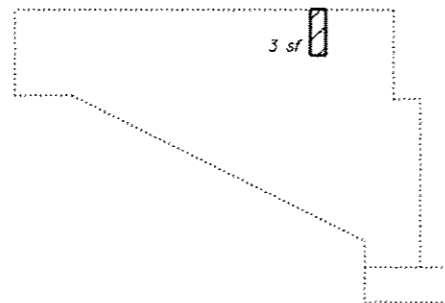
Pier
(South Face)

North Face

West Face

East Face

℄ Mechanicsburg Rd.



S. ABUTMENT
(Looking South)

NOTES

Repair of existing concrete shall include, but may not be limited to, the areas shown. The actual areas to be repaired will be determined by the Engineer at the time of construction and documented on the as-built plans.

LEGEND

☐ Structural Repair of Concrete
sf square foot

BILL OF MATERIAL

Item	Unit	Total
Structural Repair of Concrete (Depth < 5")	Sq. Ft.	145

FILE NAME : CH12 over FA1-72.dgn

USER NAME :

DESIGNED - SAL

REVISED -

CHECKED - MTH

REVISED -

PLOT SCALE :

DRAWN - TJW

REVISED -

PLOT DATE :

CHECKED - MTH

REVISED -

STATE OF ILLINOIS
DEPARTMENT OF TRANSPORTATION

CONCRETE REPAIR DETAILS
MECHANICSBURG ROAD OVER F.A.I.-72 - S.N. 084-0150

SHEET NO. 24 OF 27 SHEETS

F.A.I. RTE.	SECTION	COUNTY	TOTAL SHEETS	SHEET NO.
72		SANGAMON	194	136
* (84-10-1RS-3, 84-10-2RS-RIBR,1) CONTRACT NO. 72C90				
FED. ROAD DIST. NO. 6 ILLINOIS FED. AID PROJECT				