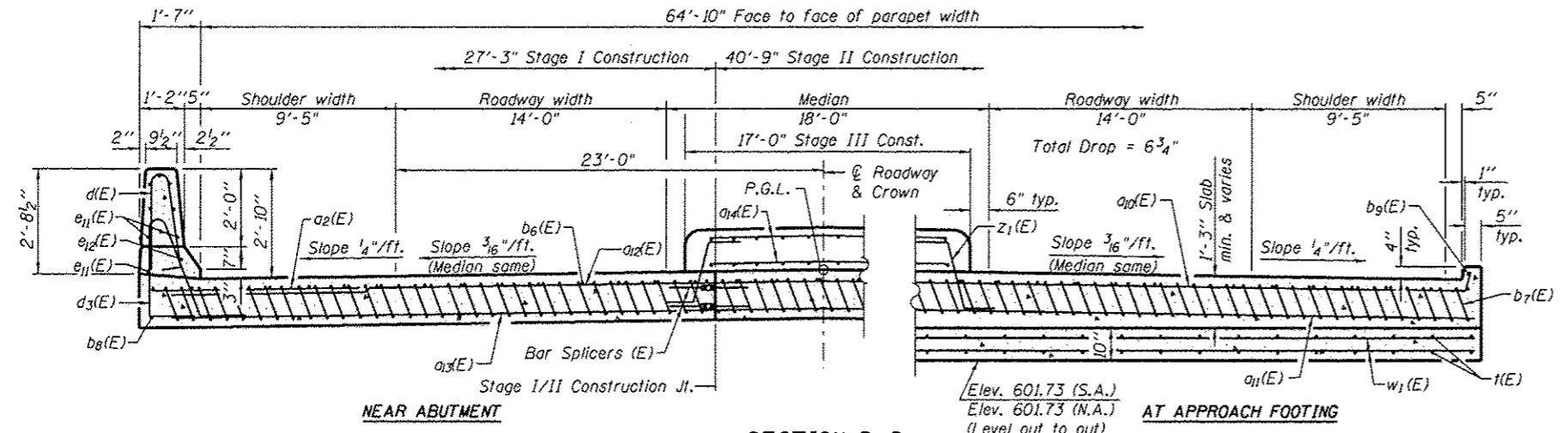
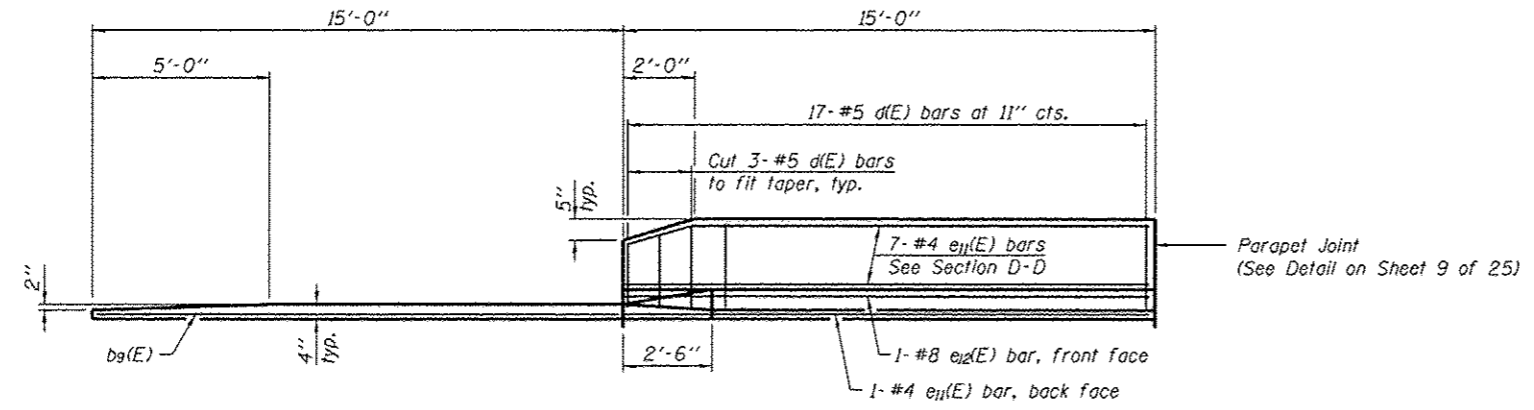


**SECTION C-C**

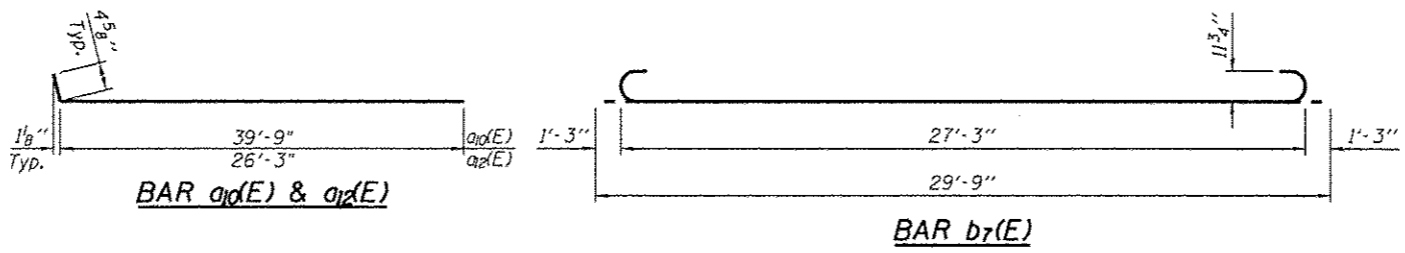


**SECTION D-D**

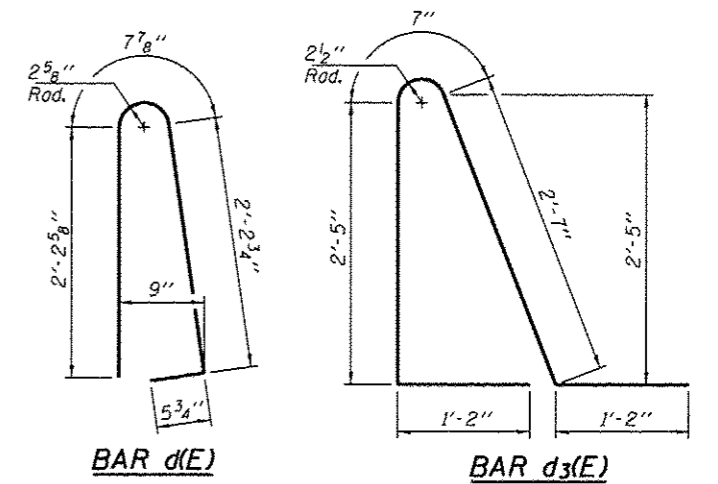
(Looking South @ South Approach, North Approach Similar)  
(See Plan for dimensions not shown)



**VIEW E-E**



**Notes:**  
See sheet 12 of 25 for Detail A and View B-B.  
Approach slab and parapet concrete shall be paid for as Concrete Superstructure.  
Approach footing concrete shall be paid for as Concrete Structures.  
Reinforcement shall be paid for as Reinforcement Bars, Epoxy Coated.  
For v1(E) bar details, see sheet 11 of 25.  
The approach footing maximum applied service bearing pressure (Qmax) = 2.0 ksf.  
Cost of excavation for approach footing included with Concrete Structures.  
For additional parapet details, see sheet 12 of 25.



**TWO APPROACHES  
BILL OF MATERIAL**

Bar	No.	Size	Length	Shape
a2(E)	48	#6	6'-6"	—
a10(E)	50	#4	40'-2"	—
a11(E)	92	#5	39'-10"	—
a12(E)	50	#4	26'-8"	—
a13(E)	92	#5	26'-4"	—
a14(E)	96	#5	16'-9"	—
b6(E)	182	#4	29'-8"	—
b7(E)	322	#9	29'-9"	—
b8(E)	4	#4	14'-8"	—
b9(E)	4	#4	14'-10"	—
d(E)	68	#5	5'-7"	—
d3(E)	68	#5	7'-11"	—
e11(E)	32	#4	14'-8"	—
e12(E)	4	#8	14'-8"	—
1(E)	272	#4	9'-8"	—
w(E)	80	#5	26'-3"	—
w1(E)	80	#5	39'-9"	—
z1(E)	100	#5	2'-6"	—
Concrete Superstructure			Cu. Yd.	222.8
Concrete Structures			Cu. Yd.	42.0
Reinforcement Bars, Epoxy Coated			Pound	57,220

\*\* Diagram for z1(E) bar on Sheet 9 of 25.