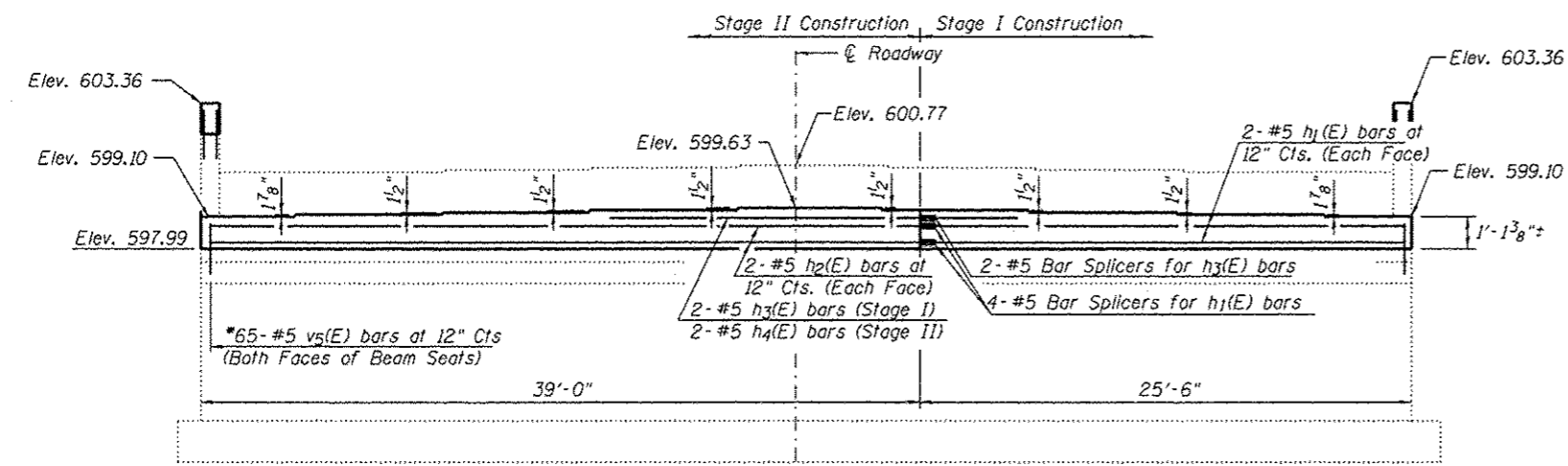
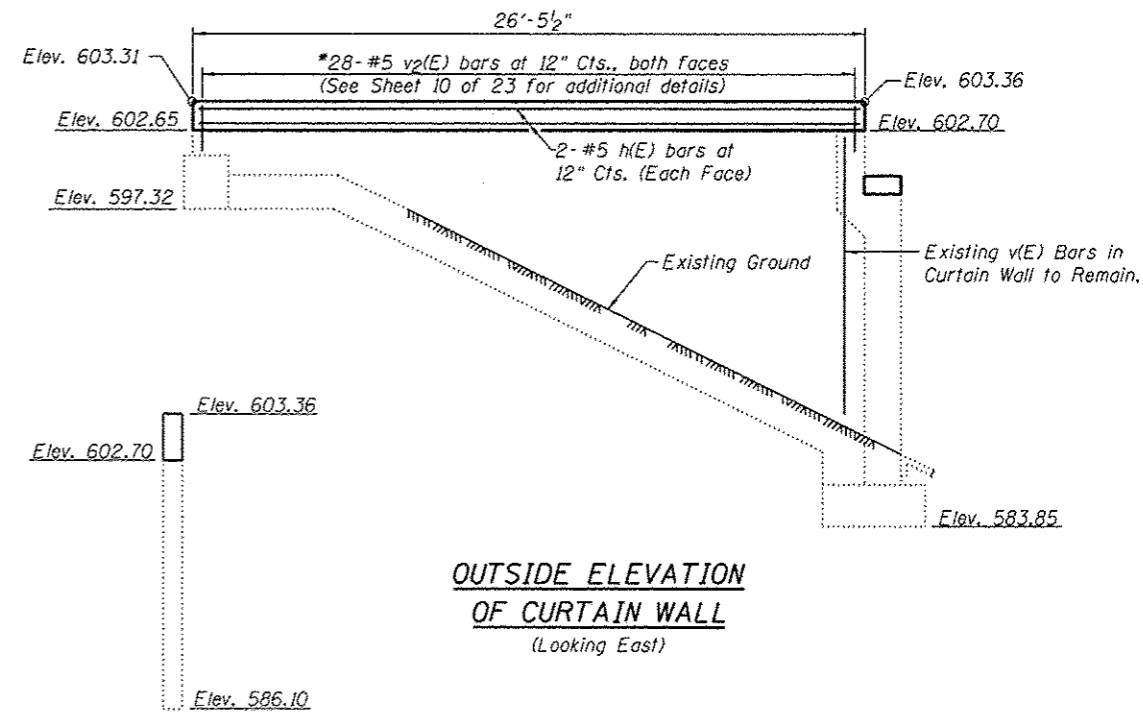


\*Drill and grout v2(E) and v5(E) bars into existing concrete a minimum of 9".

SECTION A-A



ELEVATION



OUTSIDE ELEVATION OF CURTAIN WALL (Looking East)

SECTION B-B

Notes:  
 Existing reinforcement bars extending into the new construction shall be cleaned, straightened and incorporated into the new construction. Cost included with Concrete Removal.  
 Existing reinforcement bars not extending into the new construction shall be cut off and covered with a 2" layer of cement grout. Cost included with Concrete Removal.  
 Concrete Sealer shall be applied to the front and side faces of the proposed backwall and on all the new concrete for the bridge seat extensions.

BEAM SEAT ELEVATIONS

Beam Seat Elev.	N. Abut.	S. Abut.
Beam 1	599.10	599.10
Beam 2	599.26	599.26
Beam 3	599.39	599.39
Beam 4	599.51	599.51
Beam 5	599.63	599.63
Beam 6	599.51	599.51
Beam 7	599.39	599.39
Beam 8	599.26	599.26
Beam 9	599.10	599.10