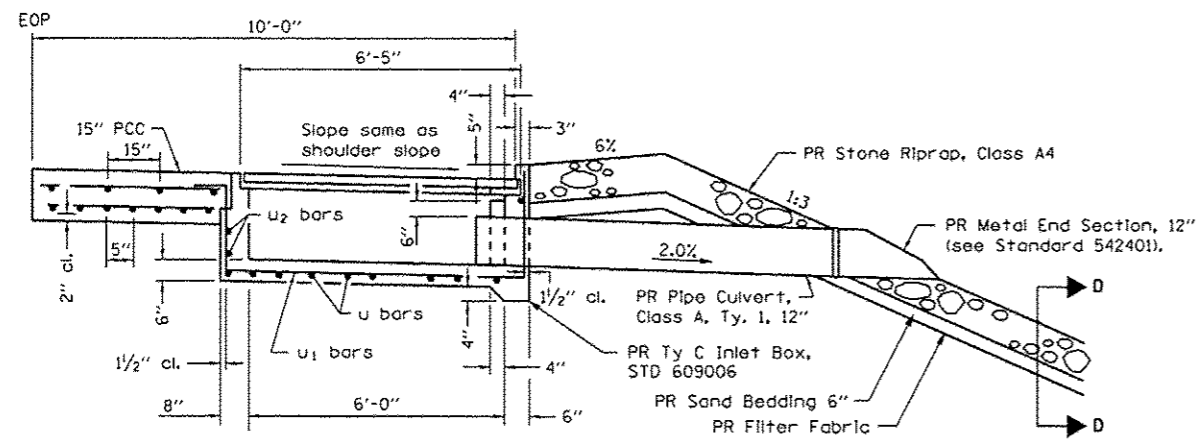
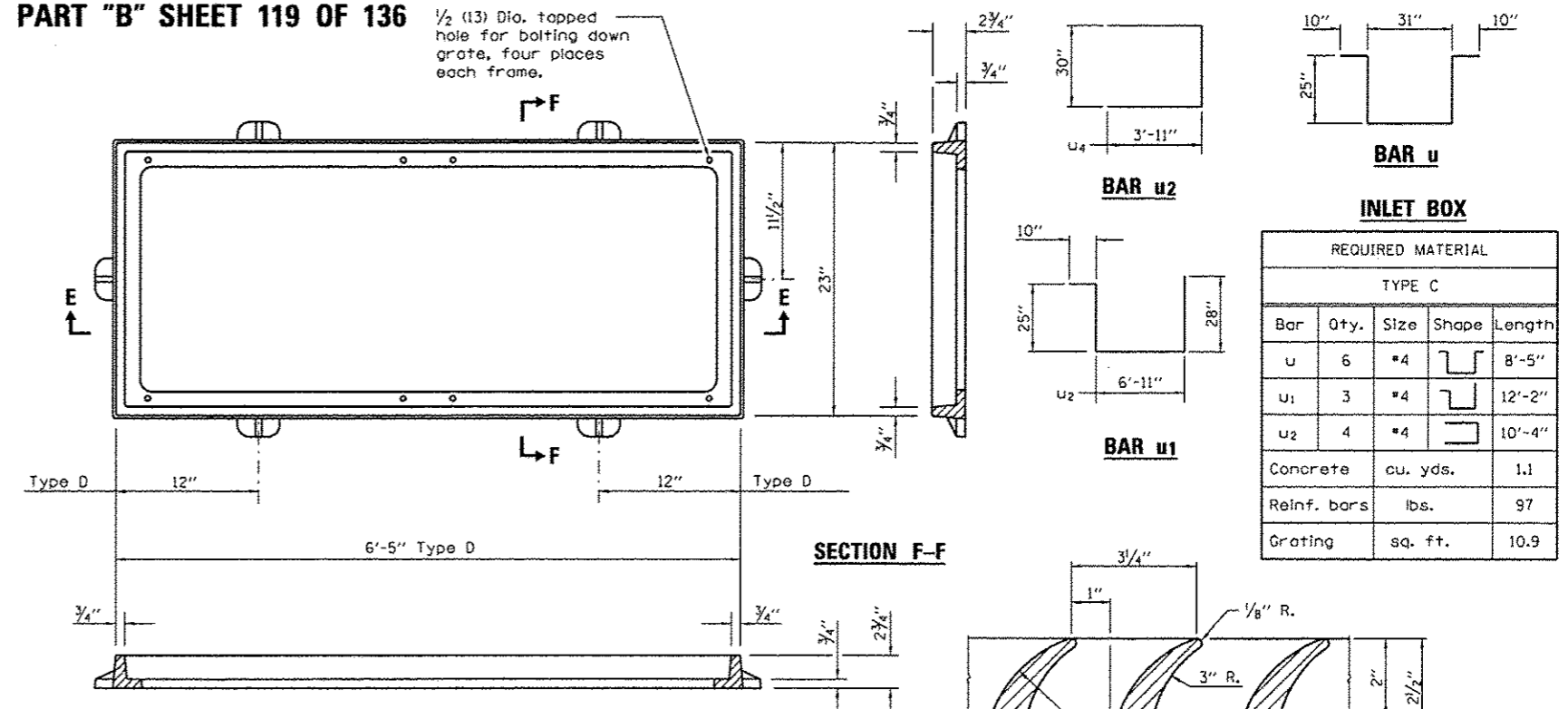


PART "B" SHEET 119 OF 136

1/2 (13) Dia. topped hole for bolting down grate, four places each frame.



SECTION B-B



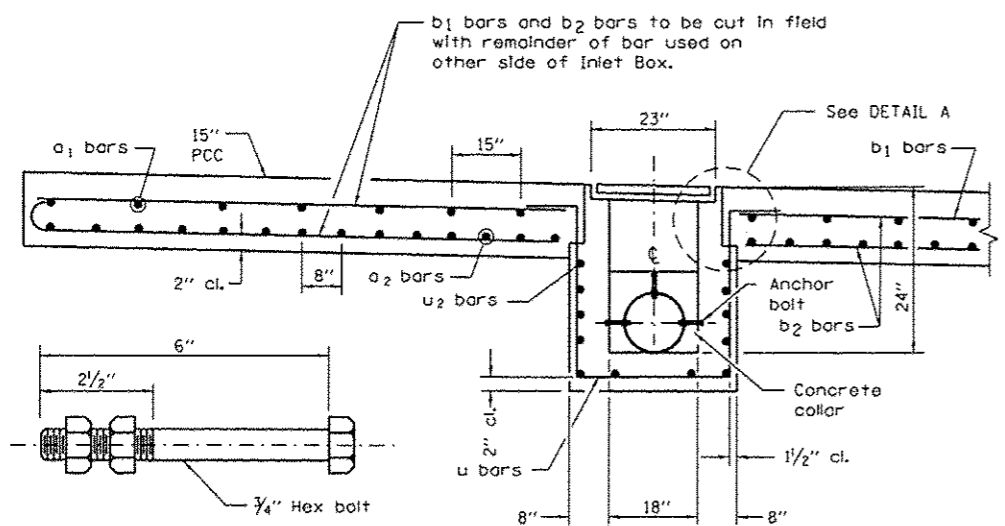
SECTION E-E

DETAIL OF CAST FRAME

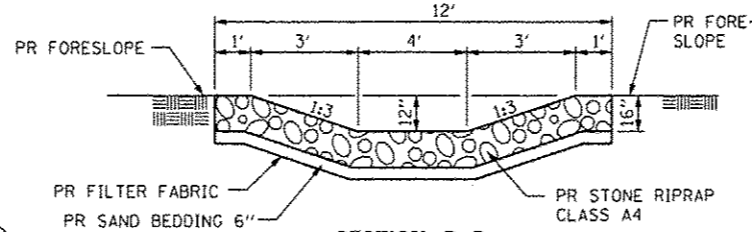
SECTION F-F

REQUIRED MATERIAL

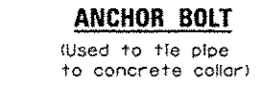
TYPE C				
Bar	Qty.	Size	Shape	Length
u	6	#4	U	8'-5"
u1	3	#4	U	12'-2"
u2	4	#4	U	10'-4"
Concrete	cu. yds.			1.1
Reinf. bars	lbs.			97
Grating	sq. ft.			10.9



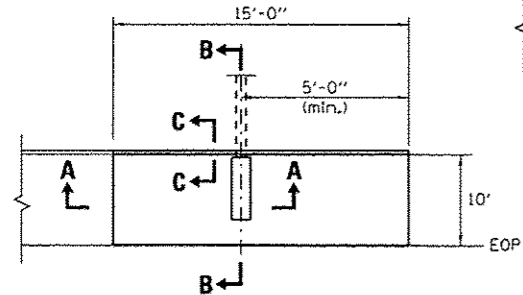
SECTION A-A



SECTION D-D

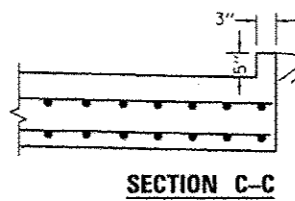


ANCHOR BOLT
(Used to tie pipe to concrete collar)



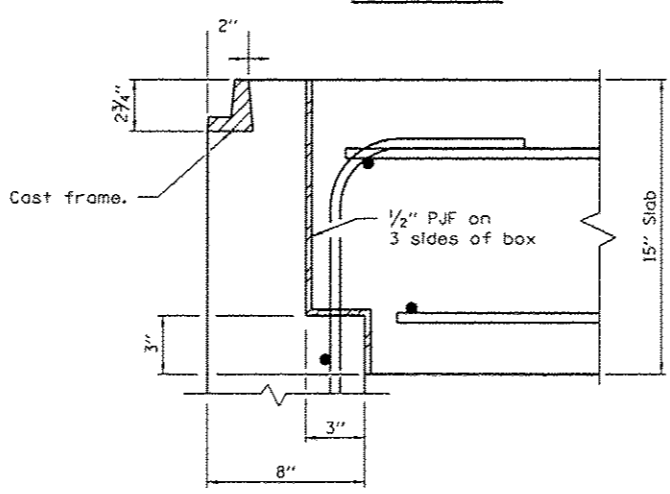
TYPICAL DETAIL PLAN
APPROACH SHOULDER &
DRAIN DETAIL

STA. 1946+81.24 LT
STA. 1946+81.24 RT
STA. 1946+81.24 LT
STA. 1946+81.24 RT



SECTION C-C

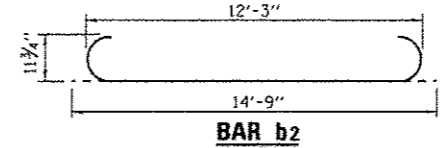
BOX OUTLET
WHEN PRECAST



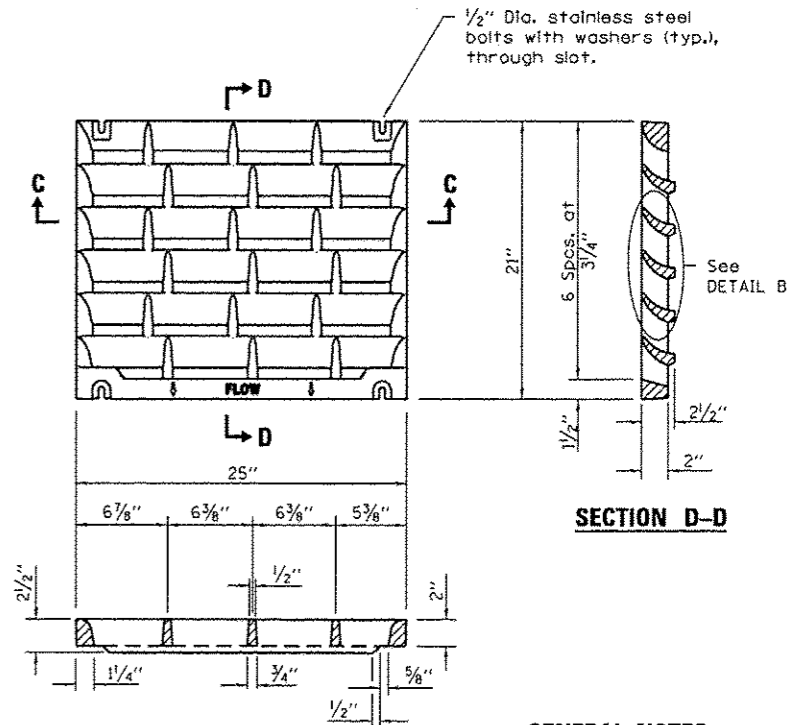
DETAIL A

REQUIRED MATERIAL

APPROACH SHLDR PVT				
Bar	Qty.	Size	Shape	Length
a1	13	#4	—	9'-9"
a2	31	#5	—	9'-9"
b1	5	#4	—	14'-9"
b2	15	#9	U	14'-9"
Concrete	cu. yds.			5.7
Reinf. bars	lbs.			1,202



BAR b2



SECTION C-C

DETAIL OF CAST GRATE
Type C requires 2 grates

GENERAL NOTES

All exposed edges of the inlet, except the upper perimeter, shall be beveled 1/4 (20).
All dimensions are in inches (millimeters) unless otherwise shown.

INLET TYPE	SHOULDER WIDTH	O-O GRATING FRAME	INLET BOX INSIDE WIDTH	INLET BOX INSIDE LENGTH
Type D	10'	6'-5"	6'-0"	18"

USER NAME = sparksgw	DESIGNED - BTM	REVISED -
PLOT SCALE = 1/8" = 1'-0"	DRAWN - BTM	REVISED -
PLOT DATE = Sep-06-2013 09:20:48AM	CHECKED - JSA	REVISED -
	DATE - 12/19/12	REVISED -

STATE OF ILLINOIS
DEPARTMENT OF TRANSPORTATION

APPROACH PAVEMENT SHOULDER & DRAINS DETAILS
& MISCELLANEOUS DETAILS

SCALE: SHEET NO. OF SHEETS STA. TO STA.

F.A.I. RTE. 72	SECTION *	COUNTY SANGAMON	TOTAL SHEETS 194	SHEET NO. 177
* (84-10-1RS-3,64-10-2RS-4)BR.1		CONTRACT NO. 72C90		
ILLINOIS FED. AID PROJECT				