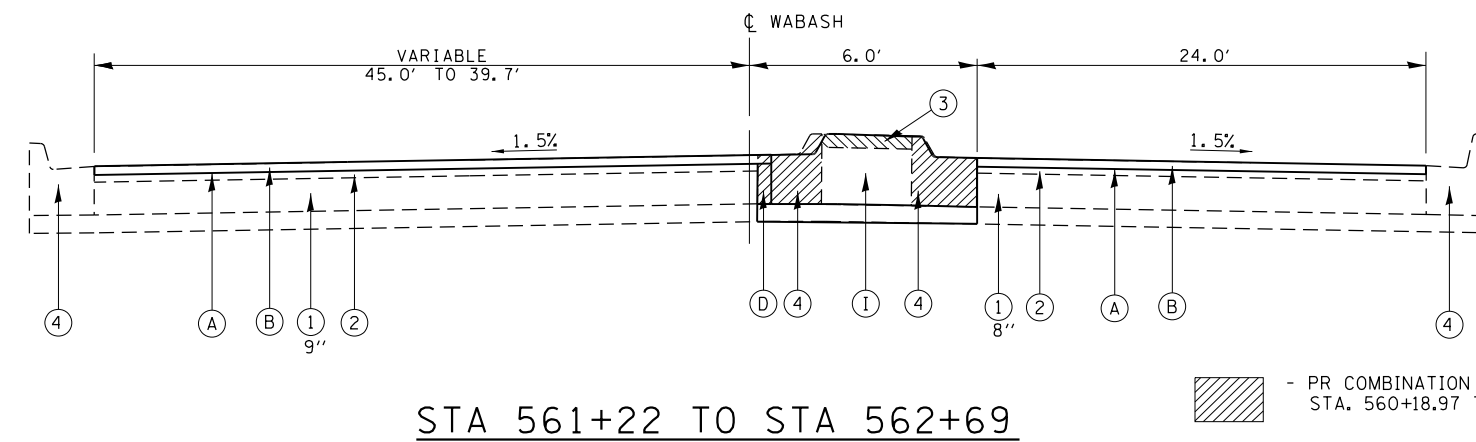


- PR COMBINATION CURB & GUTTER REMOVAL
STA. 560+18.97 TO STA. 562+69.39
PERIMETER AROUND RAISED CONCRETE ISLAND AS SHOWN
- PR CONCRETE MEDIAN SURFACE REMOVAL
STA. 560+18.97 TO STA. 562+69.39
CONCRETE RAISED ISLAND, AS SHOWN



- PR COMBINATION CURB & GUTTER REMOVAL
STA. 560+18.97 TO STA. 562+69.39
- PR CONCRETE MEDIAN SURFACE REMOVAL
STA. 560+18.97 TO STA. 562+69.39

NOTE:
SEE STRIPING DETAIL FOR LAYOUT OF PAVEMENT MARKINGS FOR THRU LANES, TURNING LANES, ISLANDS, ETC.

EXISTING LEGEND

- ① PCC PAVEMENT
- ② HMA SURFACE, 3 1/2" MINIMUM & VARIABLE
- ③ CONCRETE MEDIAN
- ④ CURB & GUTTER

PROPOSED LEGEND

- Ⓐ HOT-MIX ASPHALT SURFACE REMOVAL, VARIABLE DEPTH (1 1/2" @ ϕ)
- Ⓑ POLYMERIZED HOT-MIX ASPHALT SURFACE COURSE, MIX "E", N70, 1 1/2 "
- Ⓒ SUB-BASE GRANULAR MATERIAL, TY B (DEPTH = 4")
- Ⓓ BASE COURSE (OPTION), (10 1/2" DEPTH)
- Ⓔ ITEM OMITTED
- Ⓕ PAVEMENT MARKING 5"
- Ⓖ COMBINATION CONCRETE CURB & GUTTER, TYP B-6.24
- Ⓗ CONCRETE MEDIAN SURFACE, 4"
- Ⓘ CONCRETE MEDIAN, TYPE B-6.24

FILE NAME =	USER NAME = sparksgw	DESIGNED - RTS	REVISED -	STATE OF ILLINOIS DEPARTMENT OF TRANSPORTATION	TYPICAL CROSS SECTIONS			F.A.P. RTE.	SECTION	COUNTY	TOTAL SHEETS	SHEET NO.	
Default	ct:\pw\work\p\idot\sparksgw\10296742\07229-sh1-typical.dgn	DRAWN - RTS	REVISED -		SCALE:	SHEET 7 OF 11 SHEETS	STA.	TO STA.	664	.	SANGAMON	126	31
	PLOT SCALE = 100.0000' / in.	CHECKED -	REVISED -										
	PLOT DATE = Nov-08-2013 12:08:20PM	DATE - 10-11-2013	REVISED -										