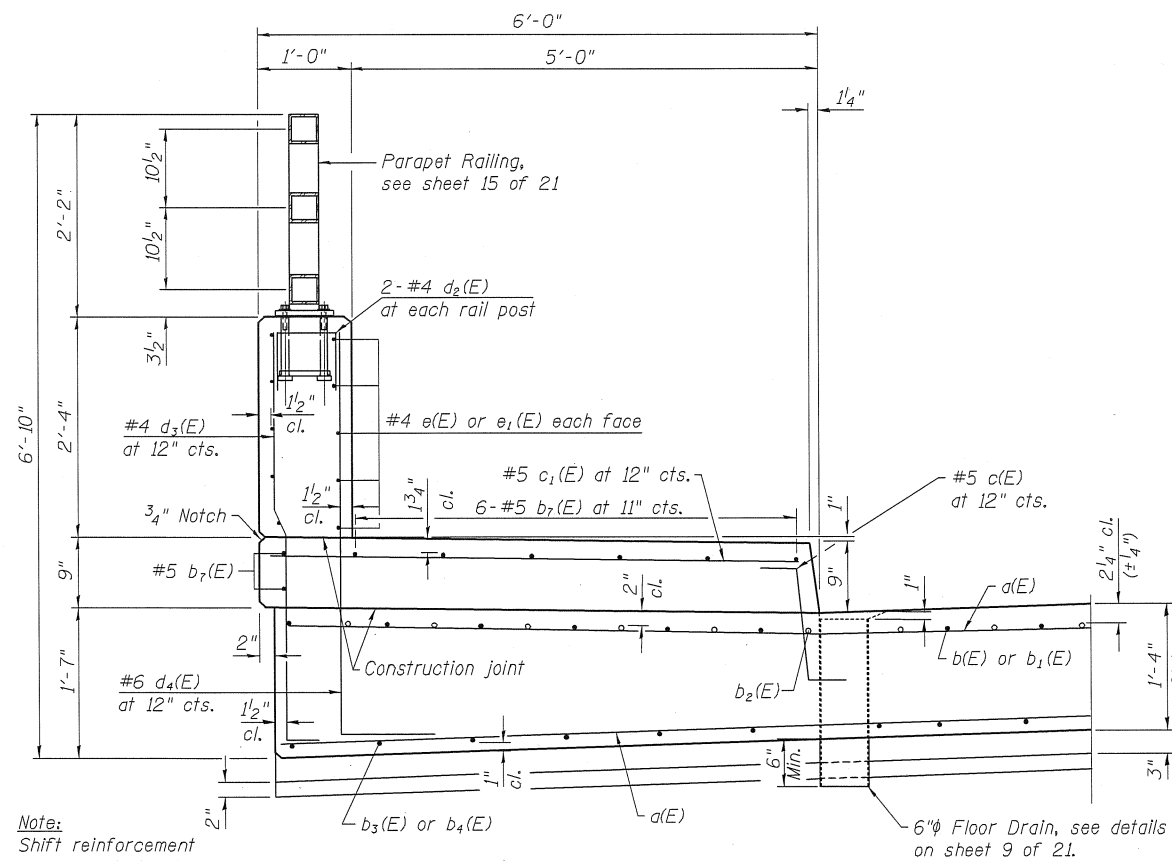
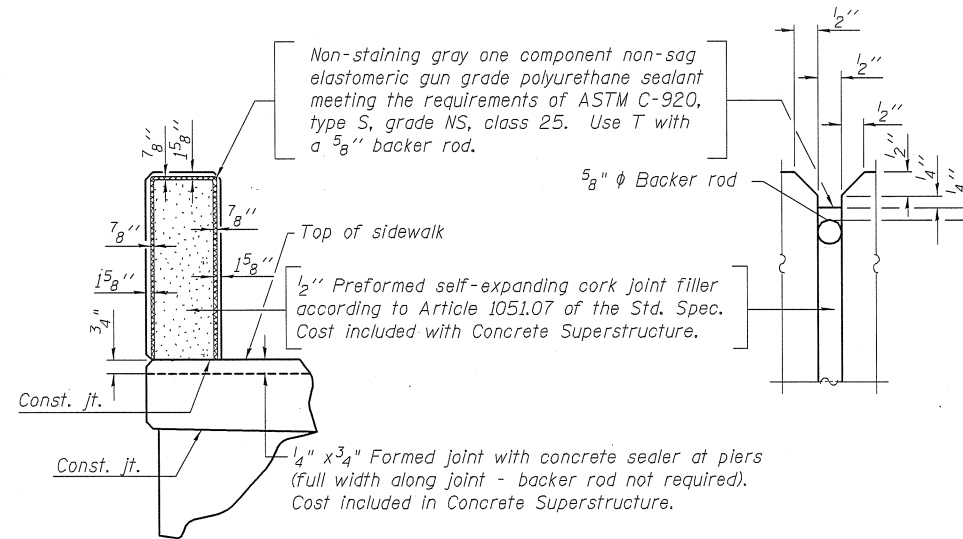


ELEVATION OF INSIDE FACE OF SOUTH PARAPET



Note:  
Shift reinforcement transversely to clear floor drains.

SECTION THRU SOUTH PARAPET



SOUTH PARAPET JOINT DETAILS

SUPERSTRUCTURE  
BILL OF MATERIAL

Bar	No.	Size	Length	Shape
a(E)	131	#5	42'-0"	—
a <sub>1</sub> (E)	54	#6	6'-6"	—
b(E)	86	#8	33'-5"	—
b <sub>1</sub> (E)	86	#5	11'-8"	—
b <sub>2</sub> (E)	84	#8	9'-3"	—
b <sub>3</sub> (E)	32	#8	33'-11"	—
b <sub>4</sub> (E)	64	#8	28'-8"	—
b <sub>5</sub> (E)	31	#8	18'-3"	—
b <sub>6</sub> (E)	62	#8	21'-10"	—
b <sub>7</sub> (E)	24	#5	28'-6"	—
c(E)	81	#5	2'-5"	—
c <sub>1</sub> (E)	81	#5	5'-7"	—
d(E)	89	#5	5'-7"	⏏
d <sub>1</sub> (E)	89	#5	8'-4"	⏏
d <sub>2</sub> (E)	20	#4	2'-3"	⏏
d <sub>3</sub> (E)	82	#4	5'-0"	⏏
d <sub>4</sub> (E)	82	#6	5'-3"	⏏
e(E)	34	#4	10'-7"	—
e <sub>1</sub> (E)	68	#4	14'-7"	—
e <sub>2</sub> (E)	3	#4	28'-4"	—
e <sub>3</sub> (E)	3	#8	30'-5"	—
x(E)	86	#5	6'-10"	—
x <sub>1</sub> (E)	86	#5	5'-5"	—
Reinforcement Bars, Epoxy Coated	Pound		35,920	
Concrete Superstructure	Cu. Yd.		208.0	
Floor Drains	Each		4	

Bars indicated thus: 1x3-#8 etc. indicates 1 line of bars with 3 lengths per line.  
Name Plate to be mounted on inside face of parapet, see sheet 1 of 21.  
See sheet 7 of 21 for bar bending details.