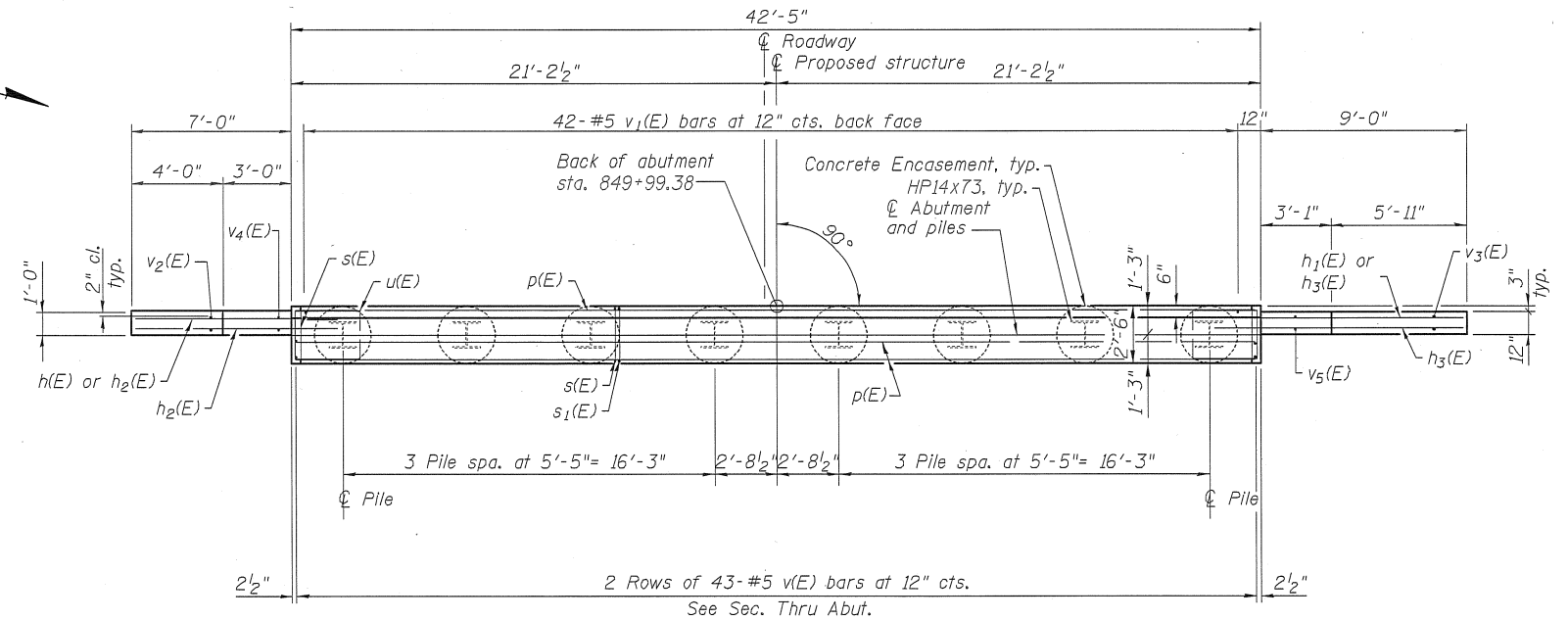
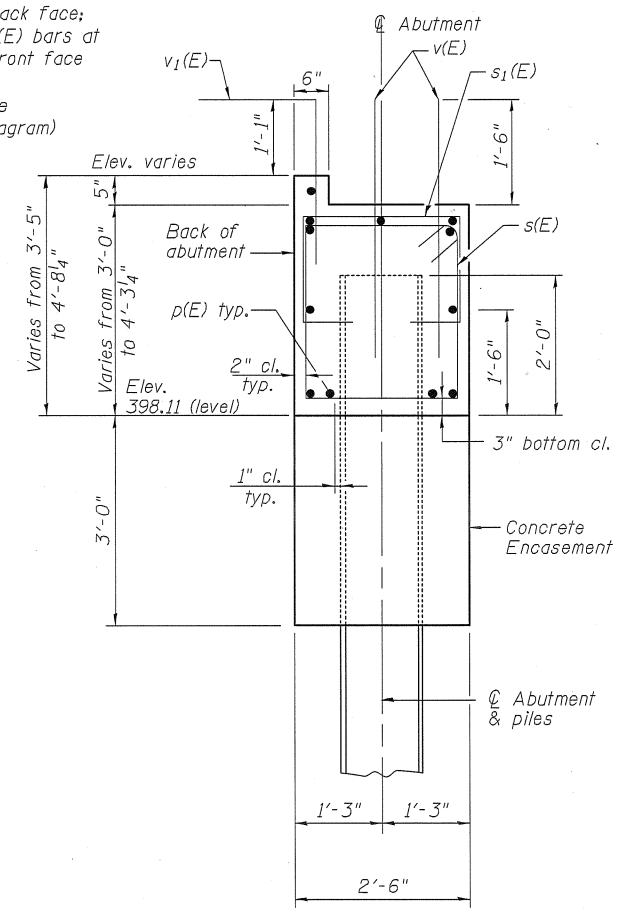


ELEVATION
(Looking West)



PLAN



SECTION THRU WEST ABUTMENT

**WEST ABUTMENT
BILL OF MATERIAL**

Bar	No.	Size	Length	Shape
h(E)	5	#7	10'-6"	—
h ₁ (E)	5	#7	12'-6"	—
h ₂ (E)	11	#5	8'-10"	—
h ₃ (E)	13	#5	10'-10"	—
p(E)	12	#7	42'-1"	—
s(E)	39	#4	10'-1"	□
s ₁ (E)	27	#4	6'-6"	□
u(E)	10	#5	9'-5"	□
v(E)	86	#5	3'-8"	—
v ₁ (E)	42	#5	4'-0"	└
v ₂ (E)	4	#5	6'-8"	—
v ₃ (E)	6	#5	7'-11"	—
v ₄ (E)	8	#5	4'-7"	—
v ₅ (E)	8	#5	5'-8"	—
Structure Excavation Cu. Yd. 74				
Concrete Structures Cu. Yd. 17.5				
Reinforcement Bars, Epoxy Coated Pound 2670				
Furnishing Steel Piles, HP14x73 Lin. Ft. 371				
Driving Piles Lin. Ft. 371				
Test Pile, Steel HP14x73 Each 1				
Concrete Encasement Cu. Yd. 4.4				
Porous Granular Embankment, Special Cu. Yd. 34				
Geocomposite Wall Drain Sq. Yd. 25				
Pipe Underdrains for Structures, 4" Foot 72				

For details of piles and Concrete Encasement, see Sheet 17 of 21.
For bar bending details, see Sheet 13 of 21.

PILE DATA
Type: Steel HP14x73
Nominal Required Bearing: 578 kips
Factored Resistance Available: 318 kips
Estimated Length: 53'
No. of Production Piles: 7
No. of Test Piles: 1

FILE NAME =	USER NAME = #USER#	DESIGNED - ELH 11/10	REVISED -
#FILES#	ESCA JOB NO. 933.12	CHECKED - MJW/RDP 11/10	REVISED -
	PLOT SCALE = #SCALE#	DRAWN - DWH/HAS 08/11	REVISED -
	PLOT DATE = #DATE#	CHECKED - ELH 08/11	REVISED -

**STATE OF ILLINOIS
DEPARTMENT OF TRANSPORTATION**

**WEST ABUTMENT
STRUCTURE NO. 093-0026**

SHEET NO. 12 OF 21 SHEETS

F.A.P. RTE.	SECTION	COUNTY	TOTAL SHEETS	SHEET NO.
332	(103B)B-1	WABASH	53	27
			CONTRACT NO. 74220	
ILLINOIS FED. AID PROJECT				