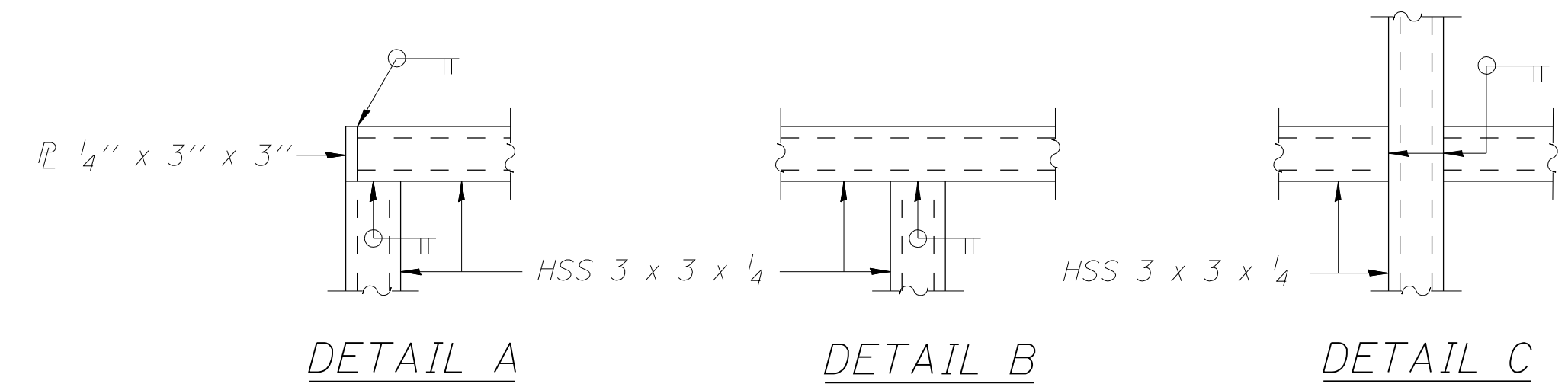
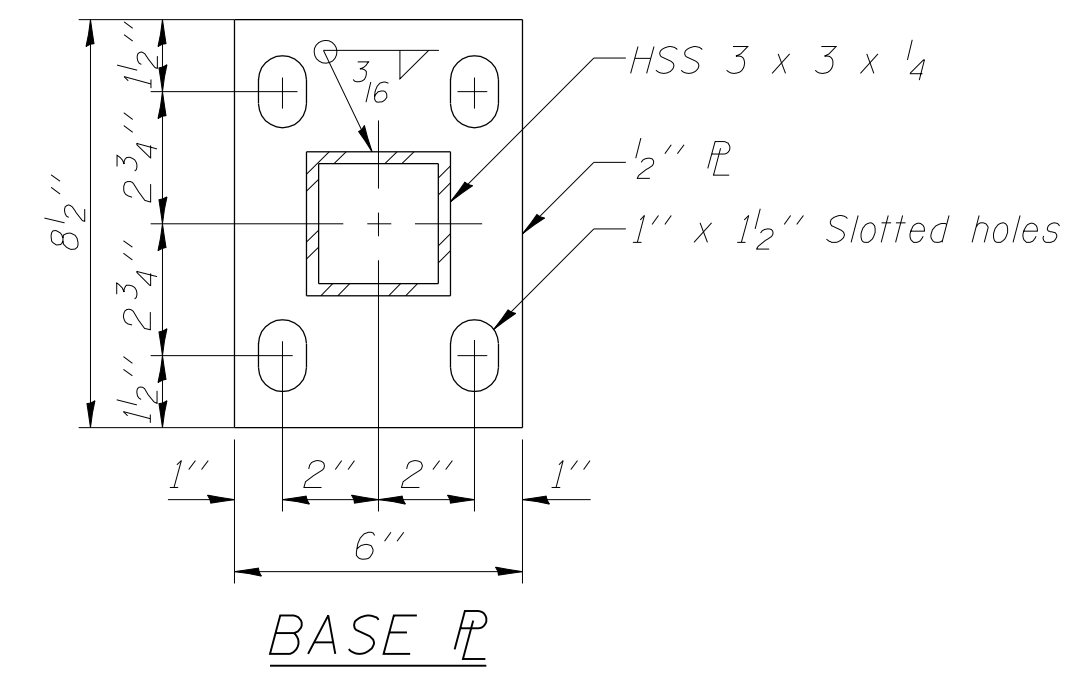


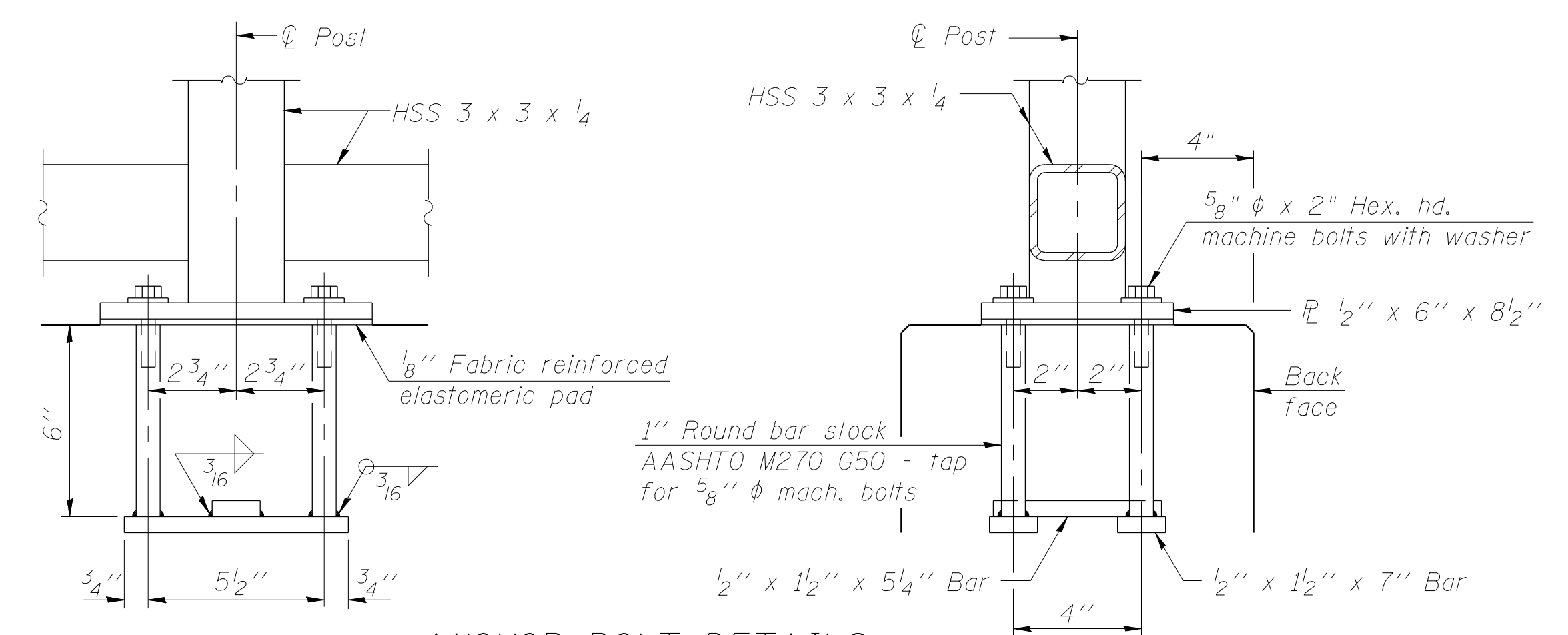
**PARAPET RAILING
ELEVATION**



DETAIL A DETAIL B DETAIL C

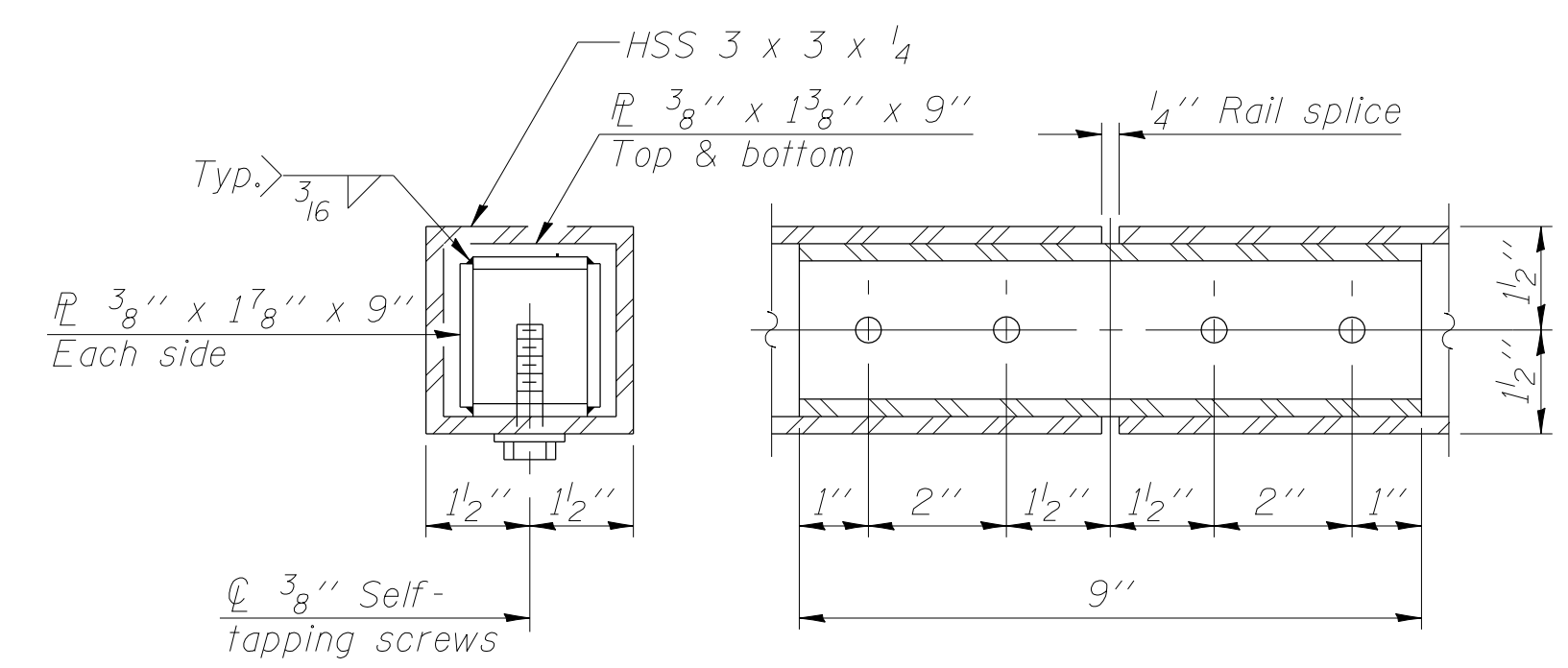


BASE PL



ANCHOR BOLT DETAILS

In lieu of the cast-in-place anchor device shown, the Contractor has the option of drilling and setting 5/8" φ anchor rods according to Article 509.06 of the Standard Specifications. Embedment shall be according to the manufacturer's specifications.



RAIL SPLICE

NOTES
All steel rail elements shall be galvanized according to Article 509.05 of the Standard Specifications.

BILL OF MATERIAL

Item	Unit	Quantity
Parapet Railing	Foot	81

FILE NAME = 0930026-74220-15-PrptRail.dgn	USER NAME = RJT	DESIGNED - ELH 09/10	REVISIONS -
	ESCA JOB NO. 933.12	CHECKED - MJW/RDP 09/10	REVISIONS -
	PLOT SCALE = 0:1' = 1/4" IN.	DRAWN - DWH/KAH 08/11	REVISIONS -
	PLOT DATE = 12/15/2011 1:37:45 PM	CHECKED - ELH 08/11	REVISIONS -

**STATE OF ILLINOIS
DEPARTMENT OF TRANSPORTATION**

**PARAPET RAILING
STRUCTURE NO. 093-0026**

SHEET NO. 15 OF 21 SHEETS

F.A.P. RTE. 332	SECTION (103B)B-1	COUNTY WABASH	TOTAL SHEETS 53	SHEET NO. 30
FED. ROAD DIST. NO.		ILLINOIS FED. AID PROJECT		CONTRACT NO. 74220