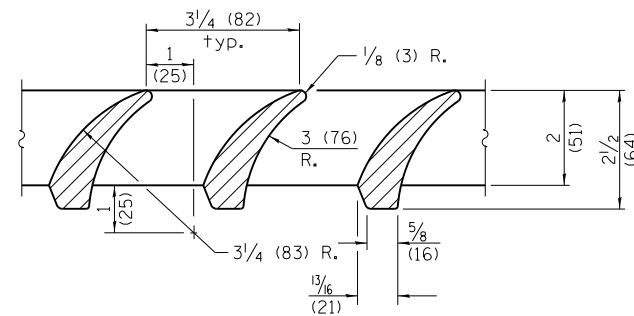


SECTION C-C

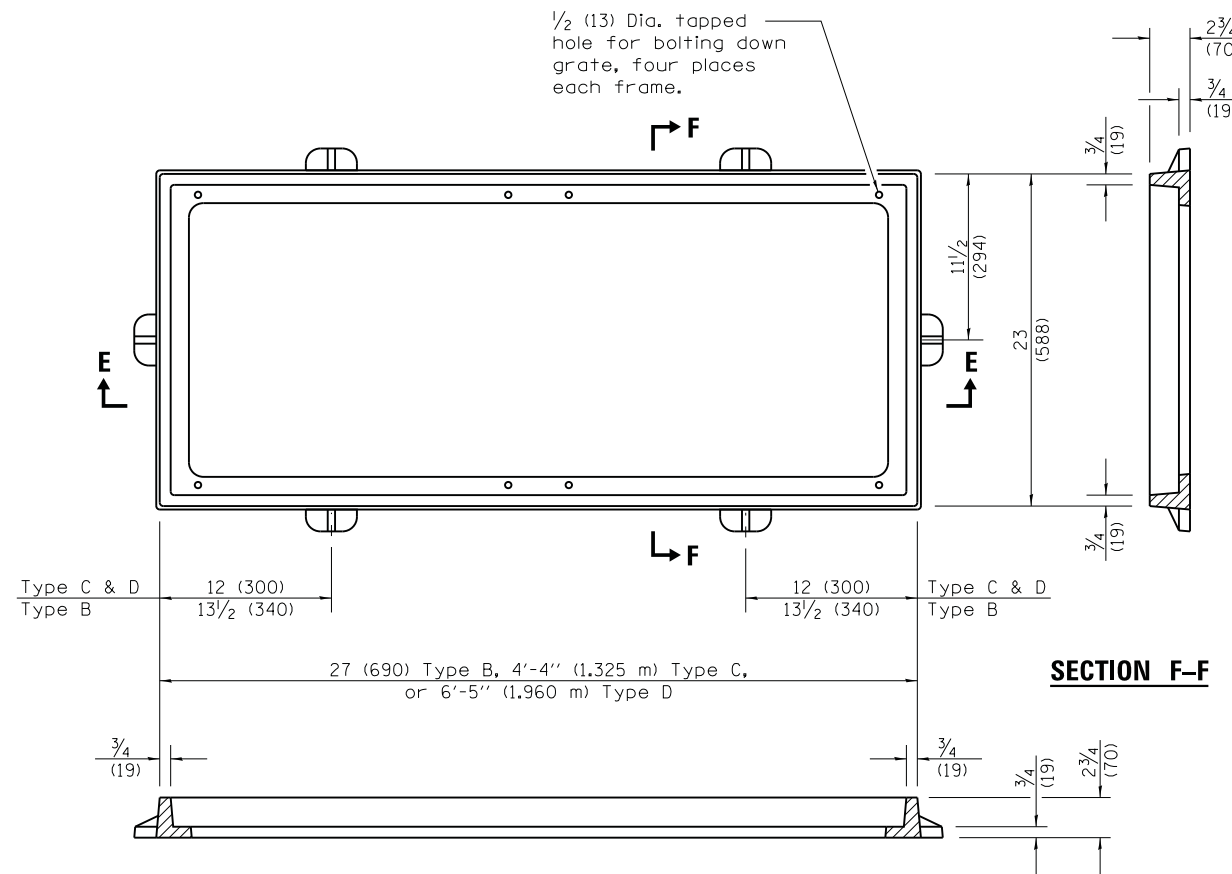
DETAIL OF CAST GRATE

Type B requires 1 grate
 Type C requires 2 grates
 Type D requires 3 grates



DETAIL B

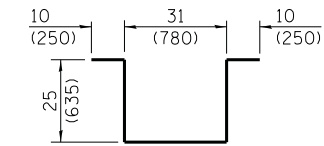
SECTION D-D



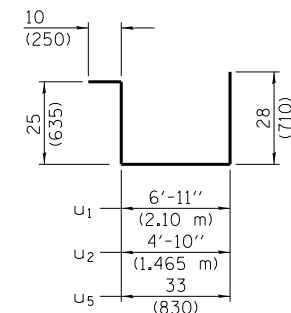
SECTION E-E

DETAIL OF CAST FRAME

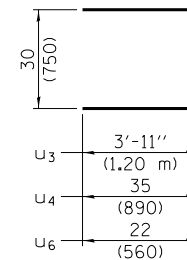
(Type C shown)



BAR u



BARS u1, u2 & u5



BARS u3, u4 & u6

INLET BOX

REQUIRED MATERIAL			
TYPE B			
Bar	Qty.	Size	Length
u	4	No. 4 (No.13)	8'-5" (2,550 m)
u5	3	No. 4 (No.13)	8'-0" (2,425 m)
u6	4	No. 4 (No.13)	6'-2" (1,870 m)
Concrete	cu. yds. (m ³)		0.5 (0.4)
Reinf. bars	lbs. (kg)		55.0 (25.0)
Grating	sq. ft. (m ²)		3.6 (0.34)
TYPE C			
Bar	Qty.	Size	Length
u	6	No. 4 (No.13)	8'-5" (2,550 m)
u2	3	No. 4 (No.13)	10'-1" (3,060 m)
u4	4	No. 4 (No.13)	8'-4" (2,530 m)
Concrete	cu. yds. (m ³)		0.8 (0.6)
Reinf. bars	lbs. (kg)		76 (34.5)
Grating	sq. ft. (m ²)		7.3 (0.68)
TYPE D			
Bar	Qty.	Size	Length
u	8	No. 4 (No.13)	8'-5" (2,550 m)
u1	3	No. 4 (No.13)	12'-2" (3,695 m)
u3	4	No. 4 (No.13)	10'-4" (3,150 m)
Concrete	cu. yds. (m ³)		1.1 (0.8)
Reinf. bars	lbs. (kg)		97.0 (44.0)
Grating	sq. ft. (m ²)		10.9 (1.02)

BRIDGE APPROACH SHOULDER PAVEMENT AND DRAIN