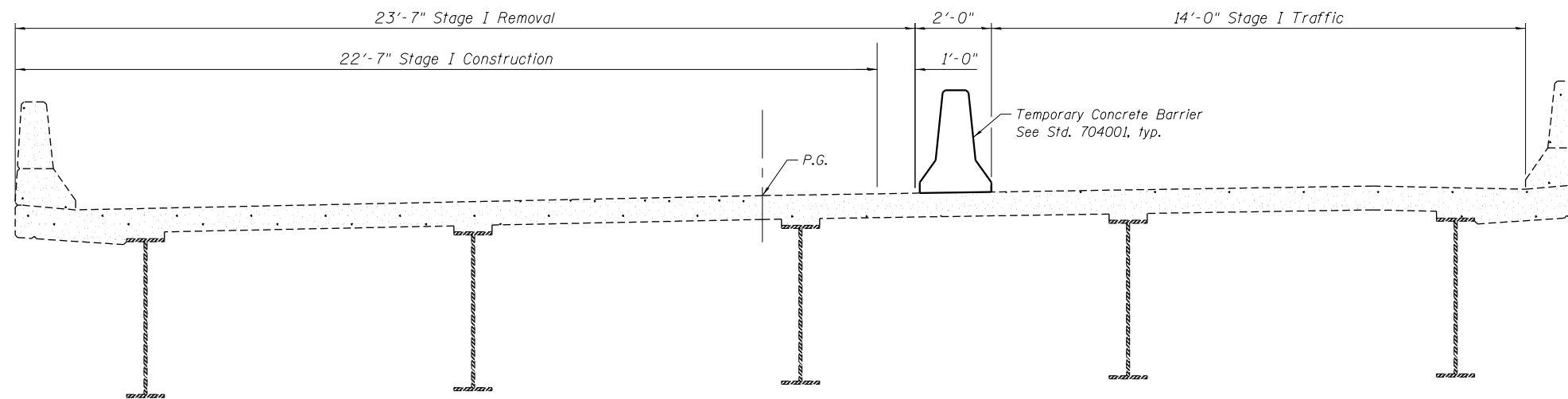
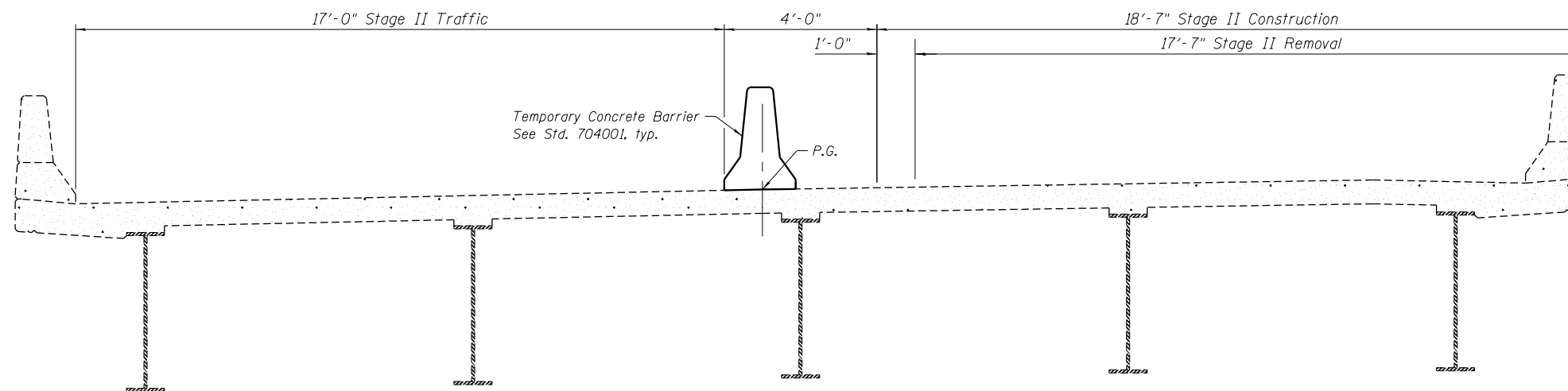


EXISTING CROSS SECTION
SB Roadway Looking North



STAGE I CONSTRUCTION
SB Roadway Looking North



STAGE II CONSTRUCTION
SB Roadway Looking North

3/25/2013 3:58:05 PM - G:\S12\0001\Bridge\CAD\sheets\Bridge_0243\060243-76F10-03-Stage construction.dgn

FILE NAME = 060243-76F10-03-Stage construction.dgn



USER NAME = geshowley	DESIGNED - WAE	REVISED -
	CHECKED - SDG	REVISED -
PLOT SCALE = 0.2" = 1' / in.	DRAWN - DMG	REVISED -
PLOT DATE = 3/25/2013	CHECKED - SDG	REVISED -

**STATE OF ILLINOIS
DEPARTMENT OF TRANSPORTATION**

**STAGE CONSTRUCTION
STRUCTURE NO. 060-0243 SB**

SHEET NO. 3 OF 10 SHEETS

F.A.I. RTE.	SECTION	COUNTY	TOTAL SHEETS	SHEET NO.
255	60-(8,9) RS-1	MADISON	206	199
				CONTRACT NO. 76F10

ILLINOIS FED. AID PROJECT