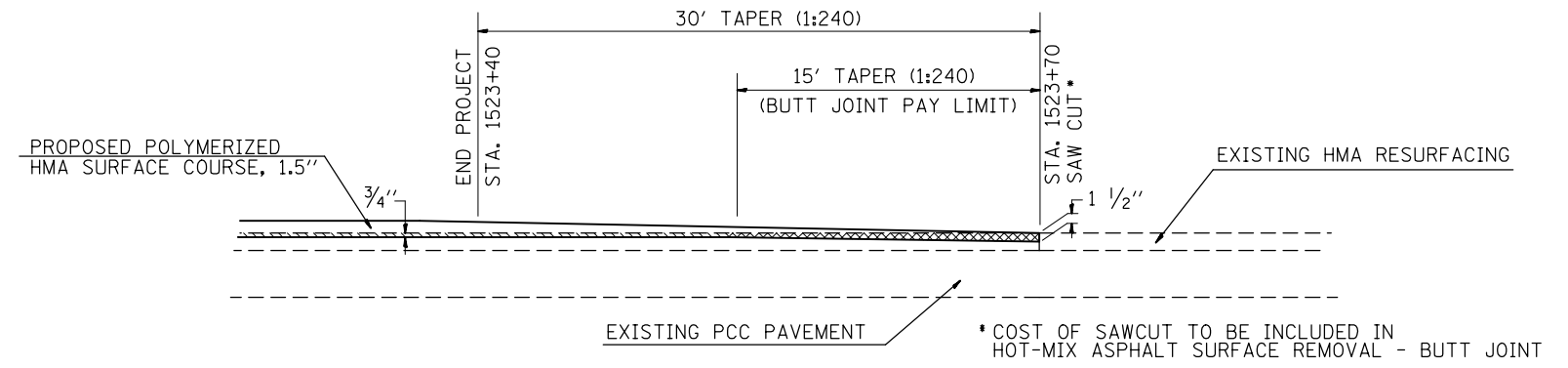
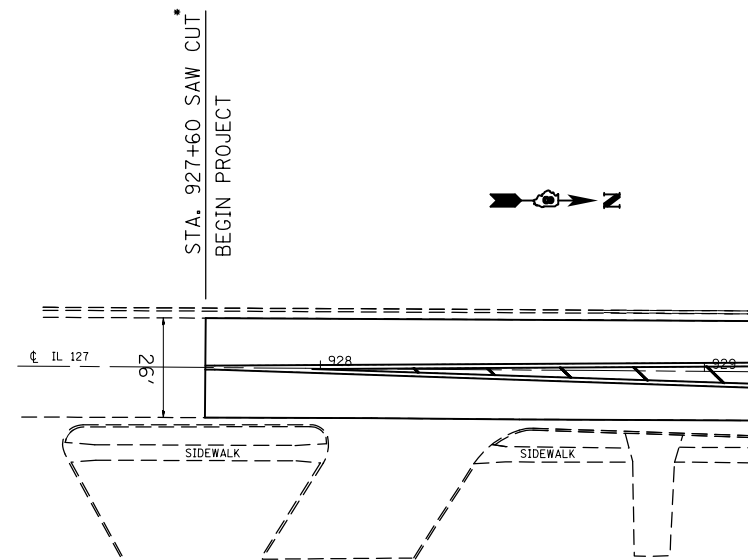


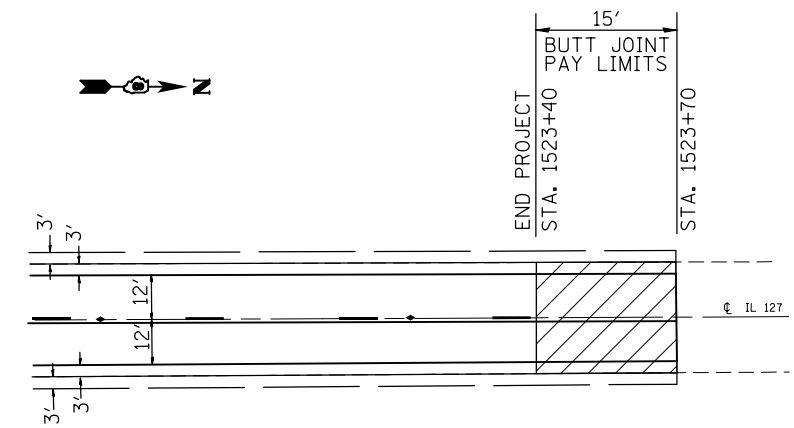
JOINT DETAIL
ELEVATION VIEW



JOINT DETAIL
ELEVATION VIEW



JOINT DETAIL
PLAN VIEW



JOINT DETAIL
PLAN VIEW

FILE NAME =	USER NAME = dntelmenjn	DESIGNED -	REVISED -
et:\pw\work\p\dot\dntelmenjn\d0287304\d876f47-sht-plan.dgn		DRAWN -	REVISED -
	PLOT SCALE = 100.0000' / in.	CHECKED -	REVISED -
	PLOT DATE = 10/18/2013	DATE -	REVISED -

STATE OF ILLINOIS
DEPARTMENT OF TRANSPORTATION

RESURFACING DETAILS

SCALE: SHEET NO. OF SHEETS STA. TO STA.

F.A.P. RTE.	SECTION	COUNTY	TOTAL SHEETS	SHEET NO.
42	102-IRS-3,102-TS	WASHINGTON	46	43
CONTRACT NO. 76F47				
FED. ROAD DIST. NO. ILLINOIS FED. AID PROJECT				