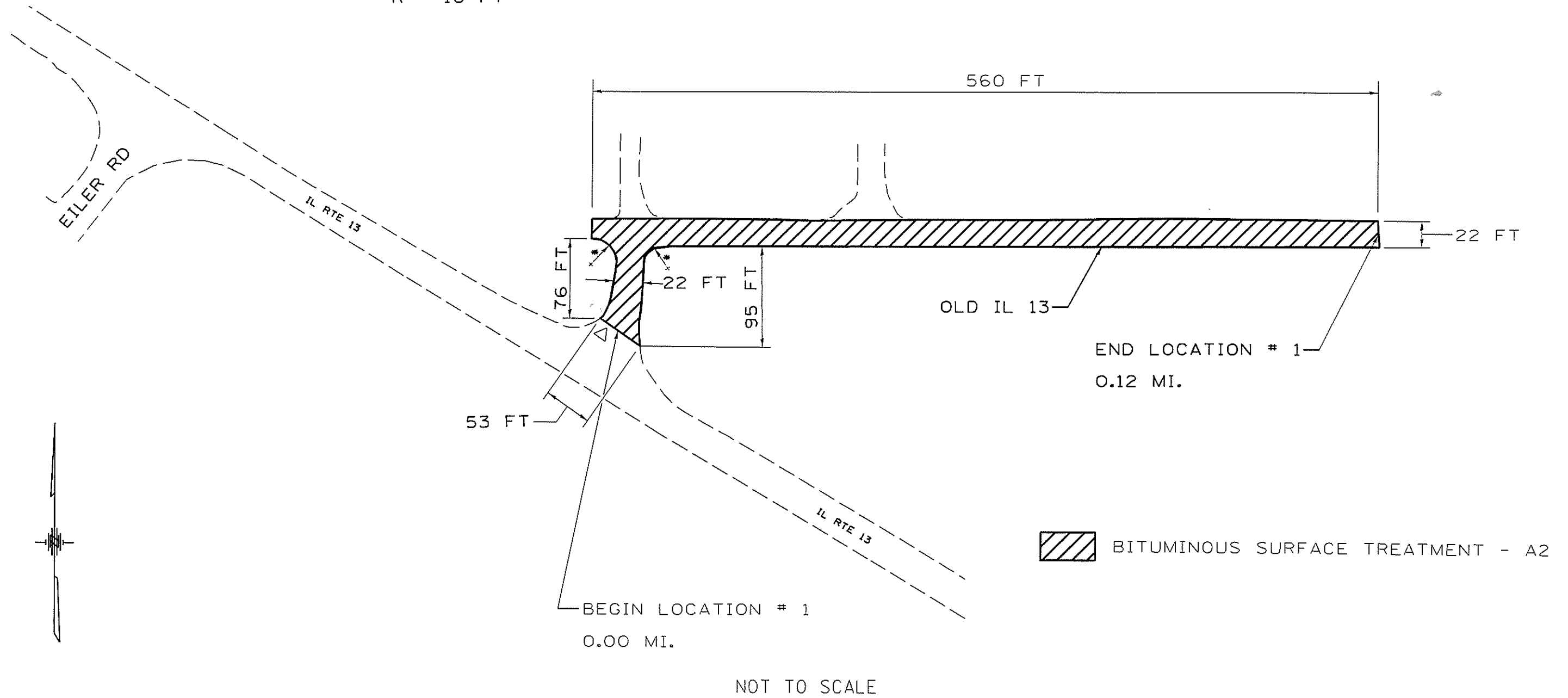


LOCATION 1

*R = 16 FT



*ST CLAIR AND MONROE

FILE NAME *	USER NAME = *USER*	DESIGNED - _____	REVISED - _____	STATE OF ILLINOIS DEPARTMENT OF TRANSPORTATION	LOCATION 1 DETAIL		F.A. RTE.	SECTION	COUNTY	TOTAL SHEETS	SHEET NO.
#FILE#	PLOT SCALE = #SCALE#	DRAWN - _____	REVISED - _____				VARIOUS	DIST 8 RESURFACING 2014-3	*	12	5
#MODELNAME#	PLOT DATE = #DATE#	CHECKED - _____	REVISED - _____		SCALE: NOT TO SCALE SHEET ____ OF ____ SHEETS STA. _____ TO STA. _____		CONTRACT NO. 76C4B				
		DATE - _____	REVISED - _____		ILLINOIS FED. AID PROJECT						