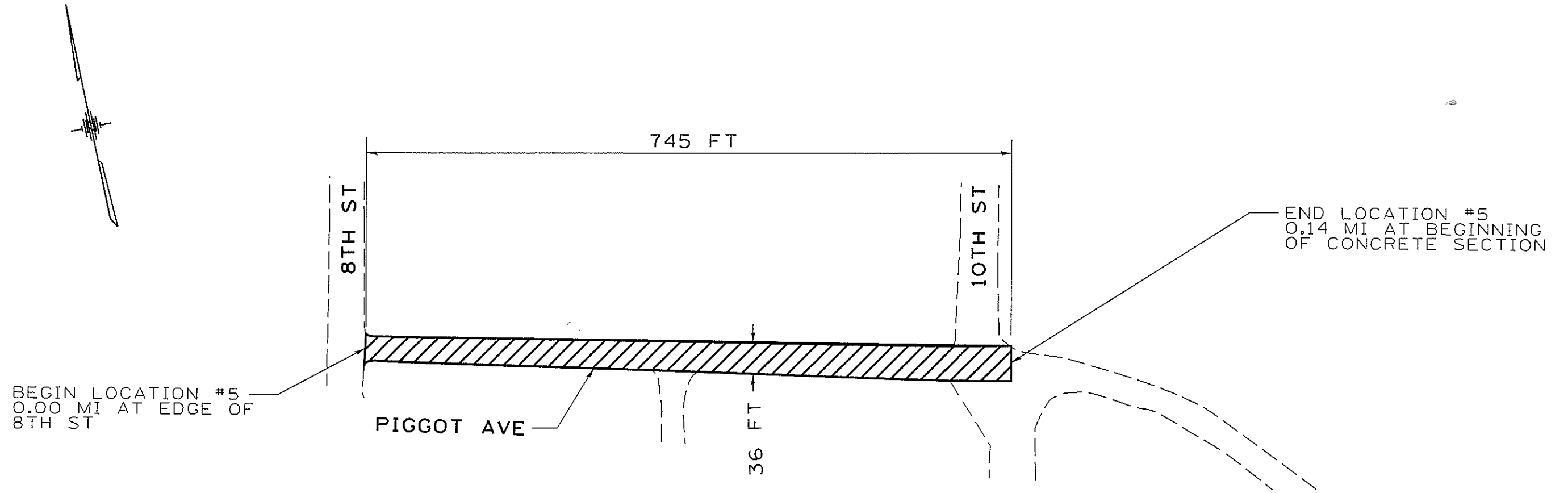


LOCATION 5



NOT TO SCALE

 BITUMINOUS SURFACE TREATMENT - A2

*ST CLAIR AND MONROE

FILE NAME *	USER NAME * #USER#	DESIGNED - _____	REVISED - _____	STATE OF ILLINOIS DEPARTMENT OF TRANSPORTATION	LOCATION 5 DETAIL	F.A. RTE.	SECTION	COUNTY	TOTAL SHEETS	SHEET NO.	
*FILE#	PLDT SCALE * #SCALE#	DRAWN - _____	REVISED - _____			VARIOUS	DIST 8 RESURFACING 2014-3	-	12	9	
*MODELNAME#	PLDT DATE * #DATE#	CHECKED - _____	REVISED - _____			CONTRACT NO. 76648			ILLINOIS FED. AID PROJECT		
		DATE - _____	REVISED - _____			SCALE: NOT TO SCALE SHEET _____ OF _____ SHEETS STA. _____ TO STA. _____					