

**STATE OF ILLINOIS**  
**DEPARTMENT OF TRANSPORTATION**  
**DIVISION OF HIGHWAYS**  
**PROPOSED**  
**HIGHWAY PLANS**

**VARIOUS ROUTES**  
**SECTION DIST 8 RESURFACING 2014-3**

**RESURFACING - OIL & CHIP**  
**ST. CLAIR AND MONROE COUNTY**

C-98-050-13

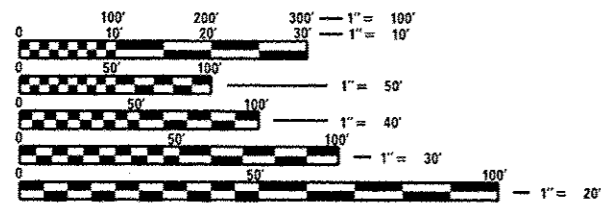
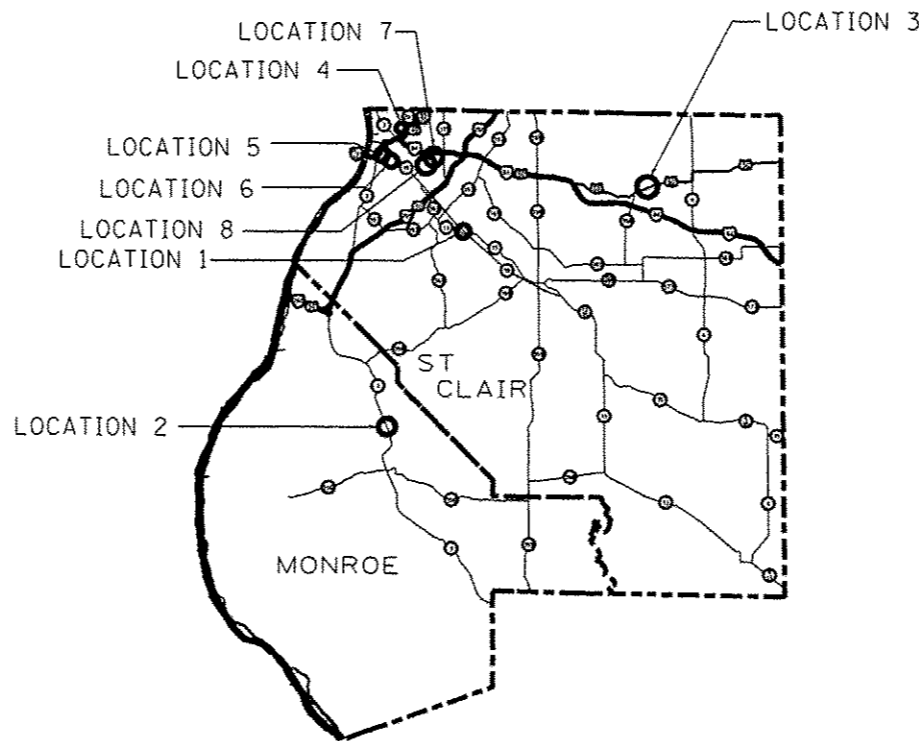
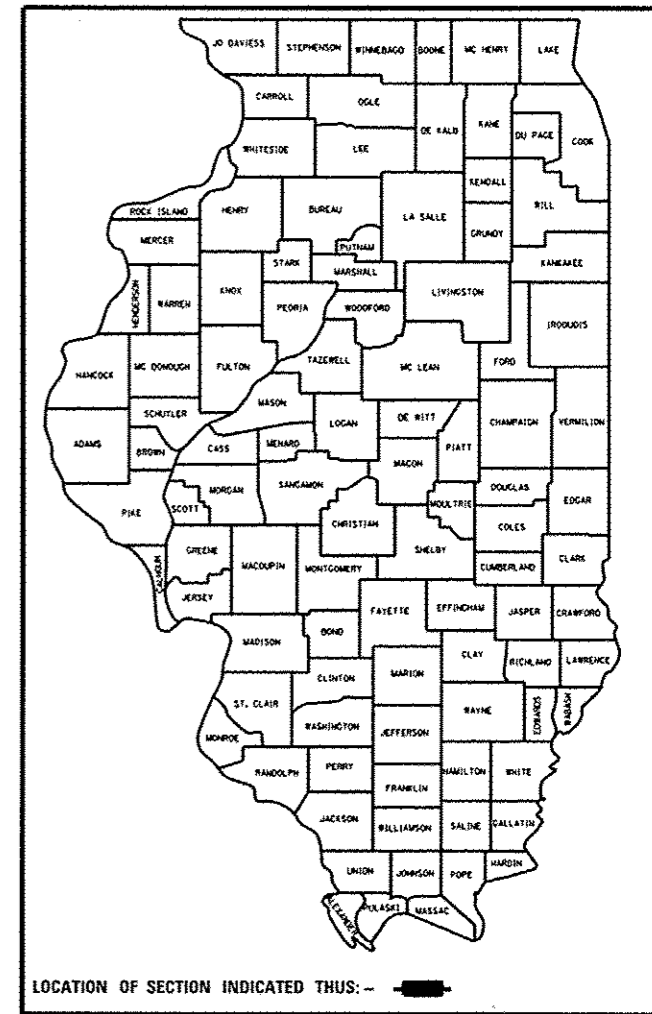
INDEX OF SHEETS

1. COVER PAGE
2. GENERAL NOTES, HIGHWAY STANDARDS, COMMITMENTS
3. SUMMARY OF QUANTITIES
4. LOCATION MAP, LATITUDE AND LONGITUDE, TRAFFIC DATA
- 5.-12. DETAILS

P.A. RTE.	SECTION	COUNTY	TOTAL SHEETS	SHEET NO.
•	**	***	12	1
ILLINOIS			CONTRACT NO. 76G48	

VARIOUS DIST 8 RESURFACING 2014-3 \*\*\*ST CLAIR AND MONROE

D-98-047-13



FULL SIZE PLANS HAVE BEEN PREPARED USING STANDARD ENGINEERING SCALES. REDUCED SIZED PLANS WILL NOT CONFORM TO STANDARD SCALES. IN MAKING MEASUREMENTS ON REDUCED PLANS, THE ABOVE SCALES MAY BE USED.

J.U.I.E.  
 JOINT UTILITY LOCATION INFORMATION FOR EXCAVATION  
 1-800-892-0123  
 OR 811

PROJECT ENGINEER: TIM PADGETT (618) 346-3325  
 PROJECT MANAGER: PHIL COPPERNOLL (618) 346-3480

CONTRACT NO. 76G48

(NTS)  
 FOR LATITUDE AND LONGITUDE SEE SHEET 4  
 GROSS LENGTH = 7,070 FT. = 1.34 MILE  
 NET LENGTH = 7,070 FT. = 1.34 MILE

STATE OF ILLINOIS  
 DEPARTMENT OF TRANSPORTATION  
 DIVISION OF HIGHWAYS

SUBMITTED Oct 31 20 13  
Jeffrey Z. [Signature]  
 REGIONAL DIRECTOR OF HIGHWAYS, REGION ENGINEER

Dec 6 20 13  
John D. Baranzello P.E.  
 ENGINEER OF DESIGN AND ENVIRONMENT

Dec 6 20 13  
Omer Osman P.E.  
 DIRECTOR OF HIGHWAYS, CHIEF ENGINEER

**PRINTED BY THE AUTHORITY**  
**OF THE STATE OF ILLINOIS**

## GENERAL NOTES

1. THE RATES OF APPLICATION SHOWN IN THE PLANS ARE NOMINAL RATES. DEVIATIONS WILL BE ALLOWED AS SPECIFIED BY THE ENGINEER AND IN ACCORDANCE WITH STANDARD SPECIFICATIONS.
2. THE STANDARDS AND REVISION NUMBERS LISTED SHALL APPLY TO THIS PROJECT.
3. ALL AREAS DISTURBED FOR ANY REASON SHALL BE PERMANENTLY SEEDED AS DIRECTED BY THE ENGINEER. ALL AREAS DISTURBED BY THE CONTRACTOR OUTSIDE THE PROPOSED CONSTRUCTION LIMITS SHALL BE SEEDED AT THE CONTRACTOR'S EXPENSE.
4. THE CONTRACTOR AND THE ENGINEER SHALL BE AWARE THAT NO SURVEY WAS PERFORMED FOR THIS PROJECT. THE STATIONING AND TOPO SHOWN IN THE PLANS WAS CREATED USING AERIAL IMAGES AND FIELD MEASUREMENTS MADE BY DESIGN PERSONNEL. BOTH SHALL BE ASSUMED TO BE APPROXIMATE.
5. THE CONTRACTOR SHALL VERIFY ALL DIMENSIONS AND CONDITIONS IN THE FIELD PRIOR TO CONSTRUCTION AND ORDERING OF MATERIALS.
6. ALL TRAFFIC CONTROL DEVICES SHALL BE SKID MOUNTED.
7. "ROAD CONSTRUCTION AHEAD" SIGNS SHALL BE PLACED AT THE BEGINNING AND END OF THE PROJECT PLUS THE INTERSECTING SIDE ROADS, AND WILL BE INCLUDED IN THE TRAFFIC CONTROL PAY ITEMS. ALL CONSTRUCTION SIGNS SHALL BE FLUORESCENT ORANGE 48".
8. FLAGMEN SHALL BE PRESENT DURING ALL CLOSURE HOURS, INCLUDING LUNCH HOUR, AND NO ADDITIONAL COMPENSATION SHALL BE APPLIED.
9. THE IDOT MAINTENANCE YARD SHALL BE COMPLETED TO THE SATISFACTION OF THE MAINTENANCE FIELD TECHNICIAN. WORK SHALL BE CONDUCTED BETWEEN 7:00 A.M. AND 3:30 P.M. ON WEEKDAYS. YARD TECHNICIANS SHALL BE NOTIFIED 3 DAYS PRIOR TO THE START OF WORK AT THE MAINTENANCE YARD. CONTACT JOSEPH M. COX AT (618) 875-9231 FOR LOCATION #6.
10. ILLINOIS STATE LAW REQUIRES A 48-HOUR NOTICE TO BE GIVEN TO UTILITIES BEFORE DIGGING. FIELD MARKING OF FACILITIES MAY BE OBTAINED BY CONTACTING J.U.L.I.E. (1-800-892-0123 OR 811) OR FOR NON-MEMBERS THE UTILITY COMPANY DIRECTLY.
11. UTILITIES INTERFERENCES ARE NOT ANTICIPATED ON THIS CONTRACT. IT SHALL BE THE CONTRACTOR'S RESPONSIBILTIIY TO COORDINATE HIS CONSTRUCTION ACTIVITIES WITH THE VARIOUS UTILITY OWNERS. ALL POTENTIAL CONFLICTS SHALL BE INVESTIGATED AND REMEDIAL ACTION TAKEN PRIOR TO INTERRUPTION OF THE CONTRACTOR'S PROGRESS. NO ADDITIONAL CONST SHALL BE ADDED TO THE CONTRACT RESULTING FROM UTILITY CONFLICTS.
12. AT LOCATIONS 6, 7, AND 8, IDOT MAINTENACE CREWS ARE TO PREPARE THE LOCATIONS PRIOR TO THE CONTRACTOR STARTING THE PROPOSED WORK ASSOCIATED WITH THIS CONTRACT. CONTACT JOSEPH M. COX AT (618) 875-9231 FOR STATUS OF PREPARATORY WORK.
13. THE DEPARTMENT STRONGLY ENCOURAGES THE PRIME CONTRACTOR AND THEIR APPROVED SUB-CONTRACTORS TO HIRE MINORITY, WOMEN AND DISADVANTAGED INDIVIDUALS FROM ITS FEDERALLY FUNDED HIGHWAY CONSTRUCTION CAREERS TRAINING PROGRAM (HCCTP) TO HELP MEET WORKFORCE AND TRAINEE GOALS. THIS PROGRAM IS TRAINING MINORITIES, WOMEN AND DISADVANTAGED INDIVIDUALS IN HIGHWAY CONSTRUCTION-RELATED SKILLS, E.G., MATH FOR THE TRADES, JOB READINESS, TECHNICAL SKILLS COURSEWORK (CARPENTRY, CONCRETE FLATWORK, BLUEPRINT READING, SITE PLANS, SITE WORK, TOOLS USE, ETC.) AND OSHA 10 HOUR CERTIFICATION, TO PREPARE THEM FOR A CAREER IN THE HIGHWAY CONSTRUCTION TRADES. GRADUATES ARE WELL-TRAINED AND READY TO BECOME PRODUCTIVE ENTRY-LEVEL CONSTRUCTION WORKERS. CONTACT THE DISTRICT 8 EEO OFFICE AT 618-346-3360 AND/OR THE HCCTP COORDINATOR AT 618-847-6528 TO LEARN MORE ABOUT THE PROGRAM AND FOR ASSISTANCE IN MEETING WORFORCE AND TRAINEE GOALS.

14. NO OVERNIGHT LANE CLOSURES WILL BE ALLOWED.

## HIGHWAY STANDARDS

000001-06  
701201-04  
701301-04  
701311-03  
701501-06  
701901-03

## COMMITMENTS

NONE

\*ST CLAIR AND MONROE

FILE NAME *	USER NAME * #USER#	DESIGNED -	REVISED -	<b>STATE OF ILLINOIS DEPARTMENT OF TRANSPORTATION</b>	<b>GENERAL NOTES, HIGHWAY STANDARDS, COMMITMENTS</b>	F.A. RTE.	SECTION	COUNTY	TOTAL SHEETS	SHEET NO.
#FILE#		DRAWN -	REVISED -			VARIOUS	DIST 8 RESURFACING 2014-3	*	12	2
#MODEL#	PLOT SCALE * #SCALE#	CHECKED -	REVISED -			CONTRACT NO. 76G4B				
	PLOT DATE * #DATE#	DATE -	REVISED -		SCALE: NOT TO SCALE	SHEET	OF	SHEETS	STA.	TO STA.
					FED. ROAD DIST. NO. ILLINOIS FED. AID PROJECT					

100% STATE

CONSTRUCTION CODE

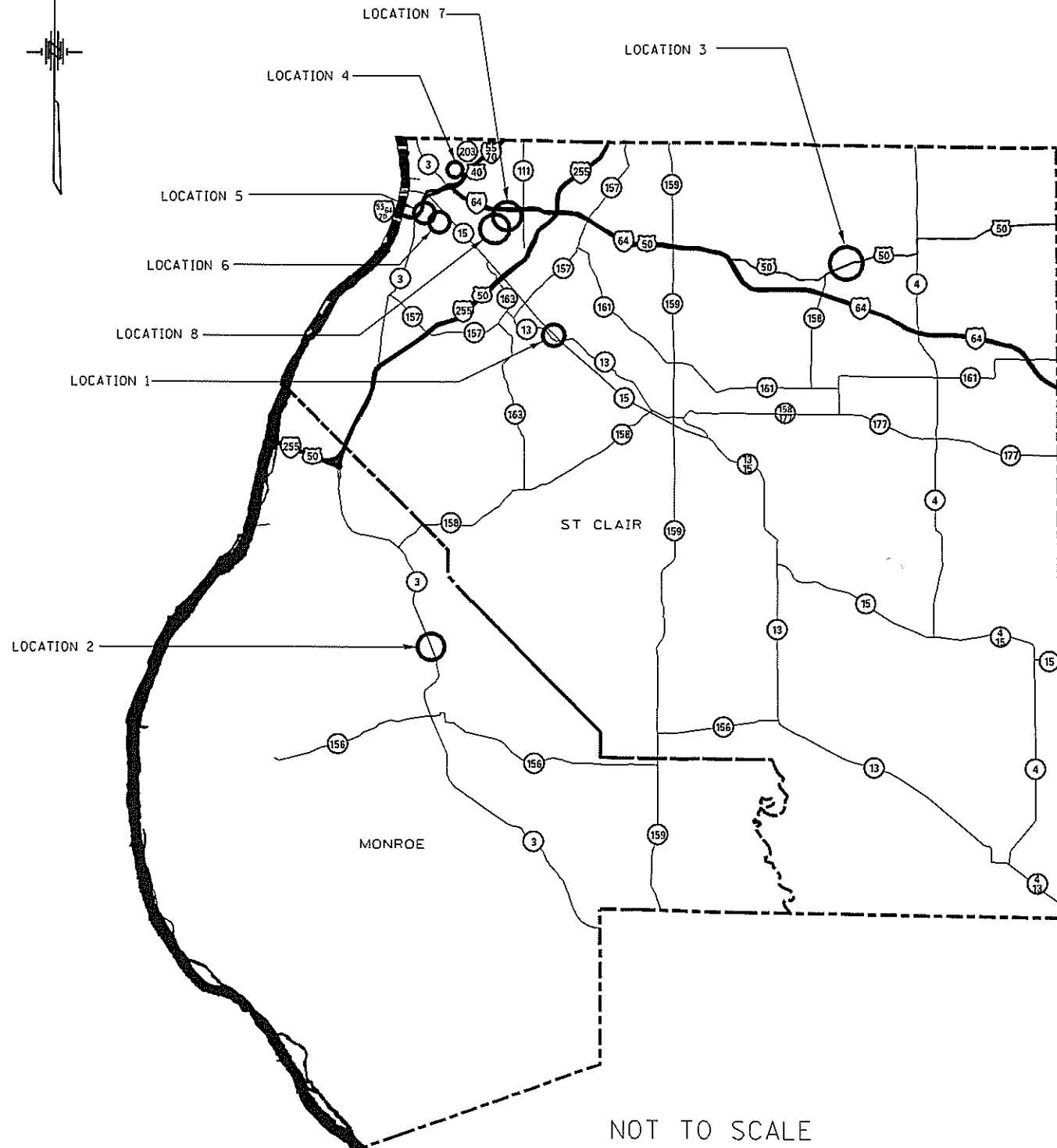
CODE NO.	ITEM	UNIT	TOTAL QUANTITY	CONSTRUCTION CODE	
				FRONTAGE ROAD	FRONTAGE ROAD
				0005 URBAN	0005 URBAN
				MONROE	ST CLAIR
40300200	BITUMINOUS MATERIALS (PRIME COAT)	TON	51.8	3.3	48.5
40300400	BITUMINOUS MATERIALS (COVER AND SEAL COATS)	TON	96.7	6.2	90.5
40300500	COVER COAT AGGREGATE	TON	331.3	21.3	310
40300600	SEAL COAT AGGREGATE	TON	331.3	21.3	310
67100100	MOBILIZATION	L SUM	1	0.125	0.875
70100450	TRAFFIC CONTROL AND PROTECTION, STANDARD 701201	L SUM	1	0.125	0.875
70102620	TRAFFIC CONTROL AND PROTECTION, STANDARD 701501	L SUM	1	0.125	0.875
X7010215	TRAFFIC CONTROL AND PROTECTION, (SPECIAL)	L SUM	1	0.125	0.875

\*ST CLAIR AND MONROE

FILE NAME *	USER NAME * USER*	DESIGNED - _____	REVISED - _____	STATE OF ILLINOIS DEPARTMENT OF TRANSPORTATION	SUMMARY OF QUANTITIES	P.A. RTE.	SECTION	COUNTY	TOTAL SHEETS	SHEET NO.	
#FILE#		DRAWN - _____	REVISED - _____			VARIOUS	DIST 8 RESURFACING 2014-3	*	12	3	
#MODEL#		CHECKED - _____	REVISED - _____			CONTRACT NO. 76648					
		DATE - _____	REVISED - _____			ILLINOIS FED. AID PROJECT					

SCALE: NOT TO SCALE SHEET \_\_\_ OF \_\_\_ SHEETS STA. \_\_\_\_\_ TO STA. \_\_\_\_\_

# LOCATION MAP



LOCATION	COUNTY	DESCRIPTION	LATITUDE	LONGITUDE	TRAFFIC DATA			
					ADT (2014)	ADT (2024)	SU (%)	MU (%)
1	ST CLAIR	OLD IL 13 WEST OF IL 13/15 INTERCHANGE	38°32'50" N	90°04'10 75"W	---	---	---	---
2	MONROE	IL 3 ACCESS ROAD WEST OF IL 3 AT HALIFAX DR	38°22'31" N	90°09'34"W	---	---	---	---
3	ST CLAIR	OLD US 50 0.06 MI EAST OF MEMORY LANE	38°35'18" N	89°51'36"W	---	---	---	---
4	ST CLAIR	BOWMAN AUXILLARY YARD	38°38'09" N	90°08'23"W	---	---	---	---
5	ST CLAIR	PIGGOT AVE. BETWEEN 8TH ST AND 10TH ST	38°36'59" N	90°09'53"W	325	375	---	---
6	ST CLAIR	PIGGOT AVE. FROM 13TH ST TO TERMINUS	38°36'50" N	90°09'43"W	175	200	---	---
7	ST CLAIR	EAST END OF STOVE FACTORY RD	38°36'57" N	90°05'17"W	---	---	---	---
8	ST CLAIR	WEST END OF STOVE FACTORY RD	38°36'54" N	90°09'34"W	---	---	---	---

A2 SCHEDULE

LOCATION	COUNTY	AREA (SQ YD)	BIT MATLS PR CT (TONS)	BIT MATLS C&S CT (TONS)	COVER COAT AGG (TONS)	SEAL COAT AGG (TONS)
1	ST CLAIR	1858	2.9	5.4	18.6	18.6
2	MONROE	2132	3.3	6.2	21.3	21.3
3	ST CLAIR	4573	7.2	13.4	45.7	45.7
4	ST CLAIR	12724	19.9	37.2	127.2	127.2
5	ST CLAIR	3278	5.1	9.6	32.8	32.8
6	ST CLAIR	4695	7.3	13.7	47.0	47.0
7	ST CLAIR	542	0.8	1.6	5.4	5.4
8	ST CLAIR	3331	5.2	9.7	33.3	33.3
TOTAL		51.8	96.7	331.3	331.3	331.3

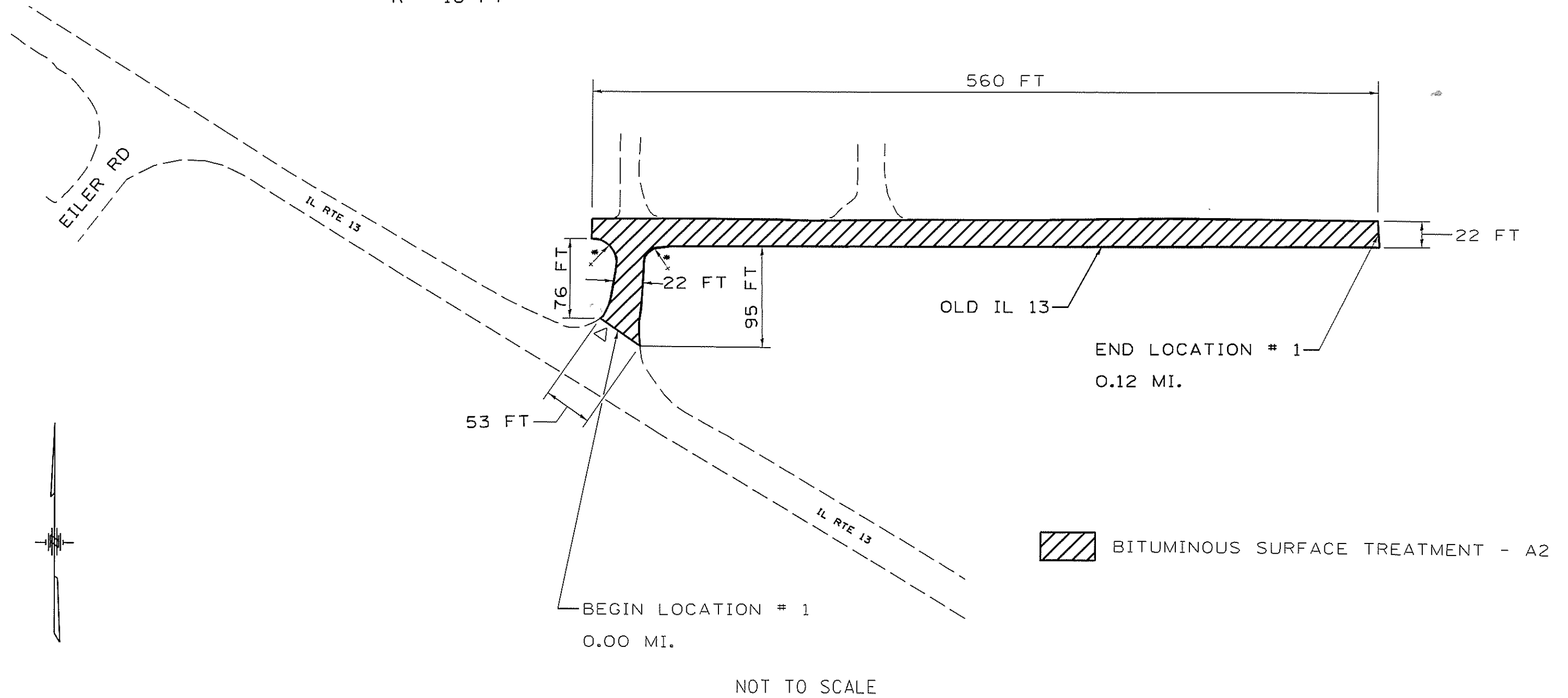
ASSUMED APPLICATION RATES

BITUMINOUS MATERIALS (PRIME COAT) = 0.0015646 TONS/SQ YD  
 BITUMINOUS MATERIALS (COVER AND SEAL COATS) = 0.001460 TONS/SQ.YD.  
 COVER COAT AGGREGATE = 0.01 TONS/SQ.YD.  
 SEAL COAT AGGREGATE = 0.01 TONS/SQ.YD

\*ST CLAIR AND MONROE

# LOCATION 1

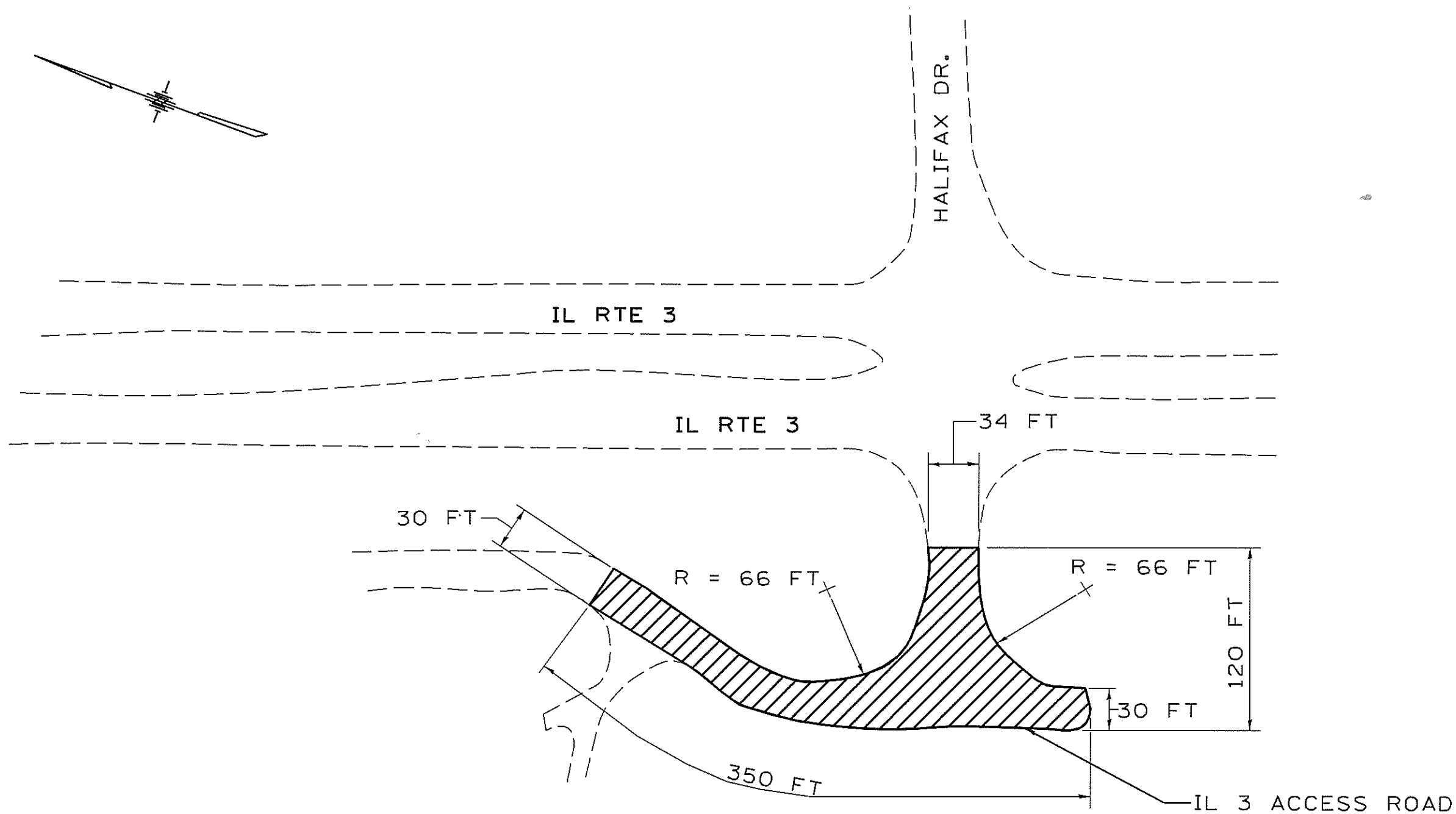
\*R = 16 FT



\*ST CLAIR AND MONROE

FILE NAME *	USER NAME = #USER*	DESIGNED - _____	REVISED - _____	<b>STATE OF ILLINOIS DEPARTMENT OF TRANSPORTATION</b>	<b>LOCATION 1 DETAIL</b>	F.A. RTE.	SECTION	COUNTY	TOTAL SHEETS	SHEET NO.	
#FILE#	PLOT SCALE = #SCALE*	DRAWN - _____	REVISED - _____			VARIOUS	DIST 8 RESURFACING 2014-3	*	12	5	
#MODELNAME*	PLOT DATE = #DATE*	CHECKED - _____	REVISED - _____			<b>CONTRACT NO. 76C4B</b>					
		DATE - _____	REVISED - _____			ILLINOIS FED. AID PROJECT					
					SCALE: NOT TO SCALE SHEET ____ OF ____ SHEETS STA. _____ TO STA. _____						

# LOCATION 2



 BITUMINOUS SURFACE TREATMENT - A2

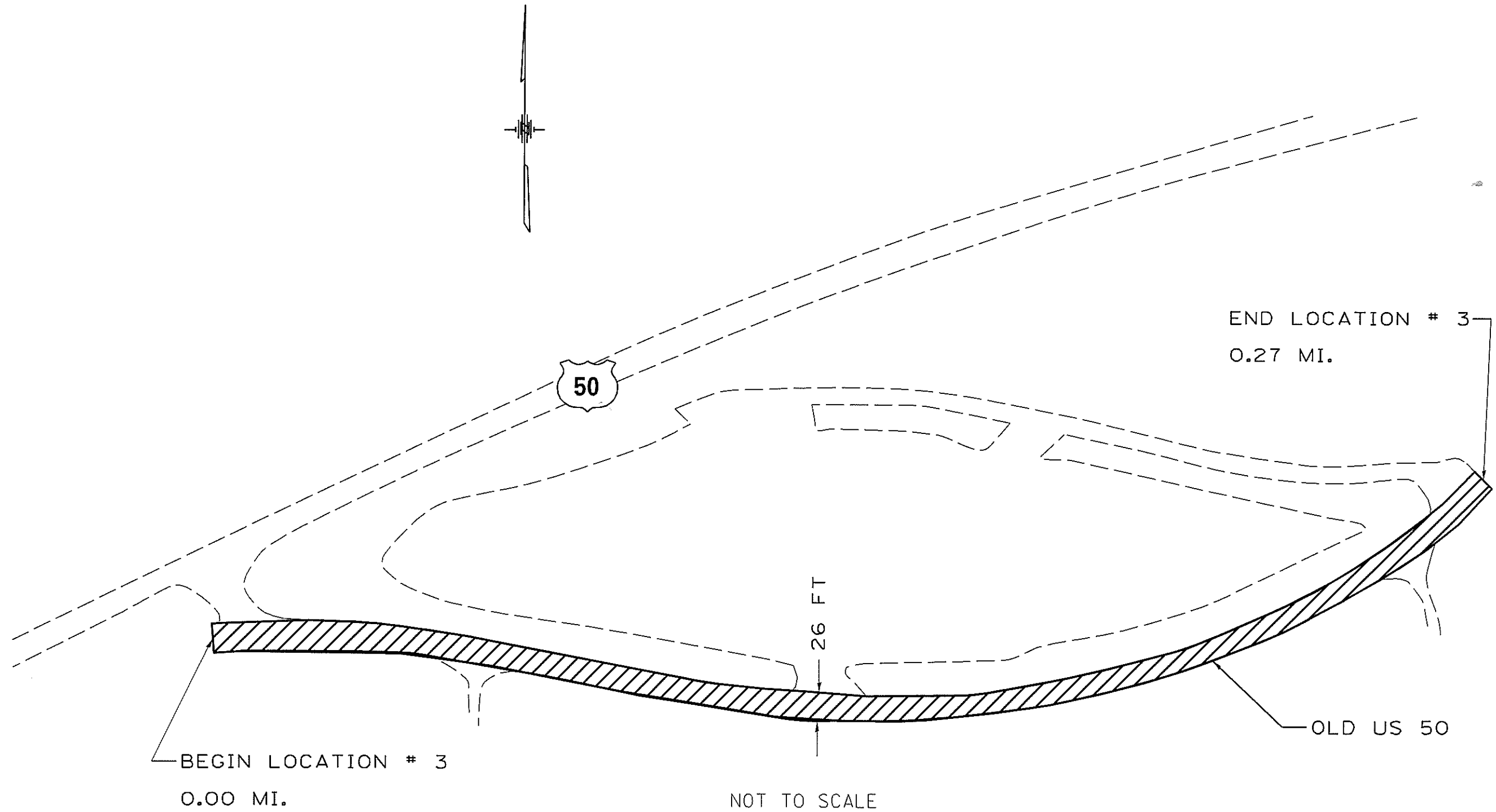
NOT TO SCALE

\*ST CLAIR AND MONROE

FILE NAME *	USER NAME * #USER#	DESIGNED - _____	REVISED - _____	STATE OF ILLINOIS DEPARTMENT OF TRANSPORTATION	LOCATION 2 DETAIL	F.A. RTE.	SECTION	COUNTY	TOTAL SHEETS	SHEET NO.	
#FILE#		DRAWN - _____	REVISED - _____			VARIOUS	DIST 8 RESURFACING 2014-3	.	12	6	
#MODELNAME#		CHECKED - _____	REVISED - _____			CONTRACT NO. T6648					
		DATE - _____	REVISED - _____			ILLINOIS FED. AID PROJECT					

SCALE: NOT TO SCALE | SHEET 1 OF 1 SHEETS | STA. \_\_\_\_\_ TO STA. \_\_\_\_\_

# LOCATION 3

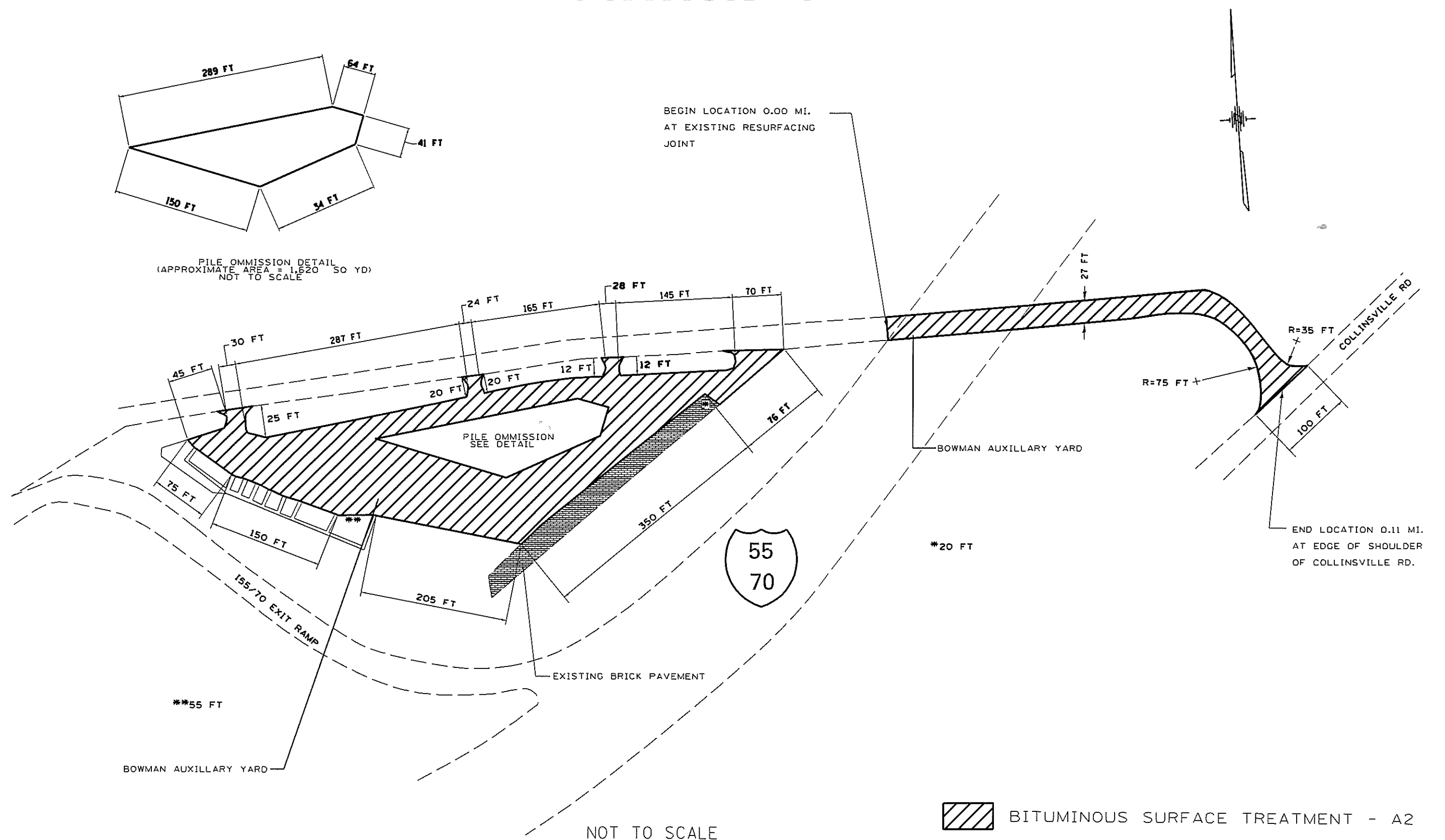


 BITUMINOUS SURFACE TREATMENT - A2

\*ST CLAIR AND MONROE

FILE NAME * *FILE#	USER NAME * #USER#	DESIGNED - _____	REVISED - _____	STATE OF ILLINOIS DEPARTMENT OF TRANSPORTATION	LOCATION 3 DETAIL	F.A. RTE.	SECTION	COUNTY	TOTAL SHEETS	SHEET NO.	
*MODELNAME*	PLOT SCALE * #SCALE#	DRAWN - _____	REVISED - _____			VARIOUS	DIST 8 RESURFACING 2014-3		12	7	
	PLOT DATE * #DATE#	CHECKED - _____	REVISED - _____			CONTRACT NO. 76648		ILLINOIS FED. AID PROJECT			
					SCALE: NOT TO SCALE   SHEET _____ OF _____ SHEETS   STA. _____ TO STA. _____						

# LOCATION 4



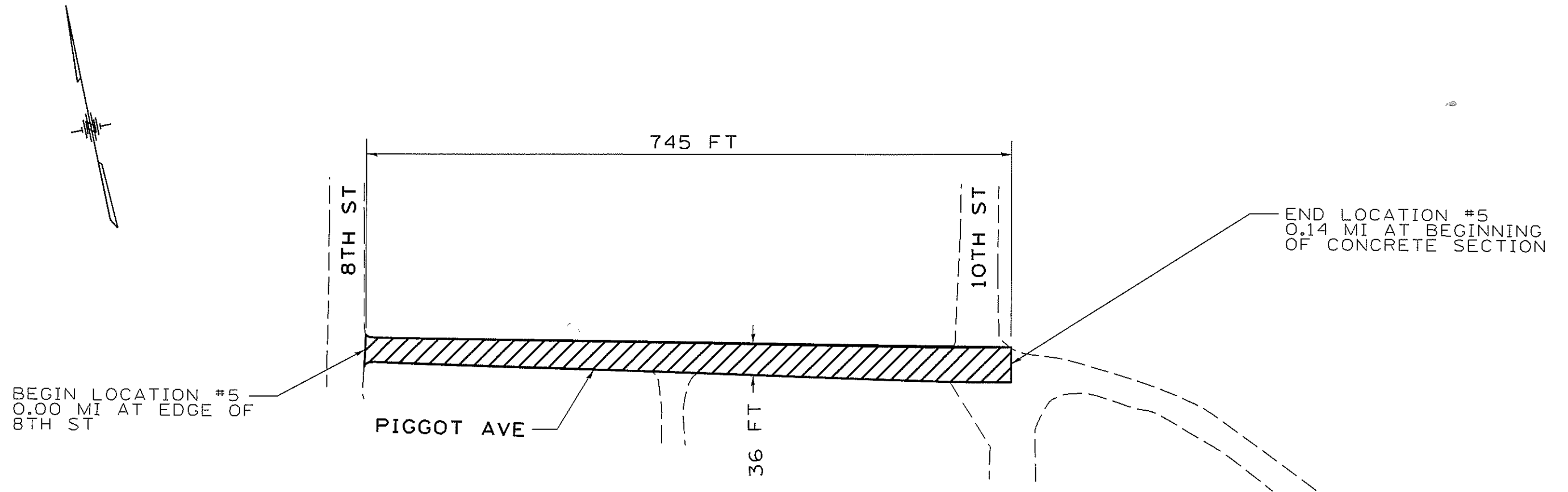
\*ST CLAIR AND MONROE

FILE NAME * #FILE#	USER NAME * #USER#	DESIGNED - _____	REVISED - _____	STATE OF ILLINOIS DEPARTMENT OF TRANSPORTATION	LOCATION 4 DETAIL	F.A. RTE.	SECTION	COUNTY	TOTAL SHEETS	SHEET NO.
#MODEL#	PLOT SCALE * NOT TO SCALE	CHECKED - _____	REVISED - _____			VARIOUS	DIST 8 RESURFACING 2014-3	*	12	8
	PLOT DATE = #DATE#	DATE - _____	REVISED - _____			CONTRACT NO. 76C48			ILLINOIS FED. AID PROJECT	

SCALE: NOT TO SCALE | SHEET 1 OF 1 SHEETS | STA. \_\_\_\_\_ TO STA. \_\_\_\_\_



# LOCATION 5



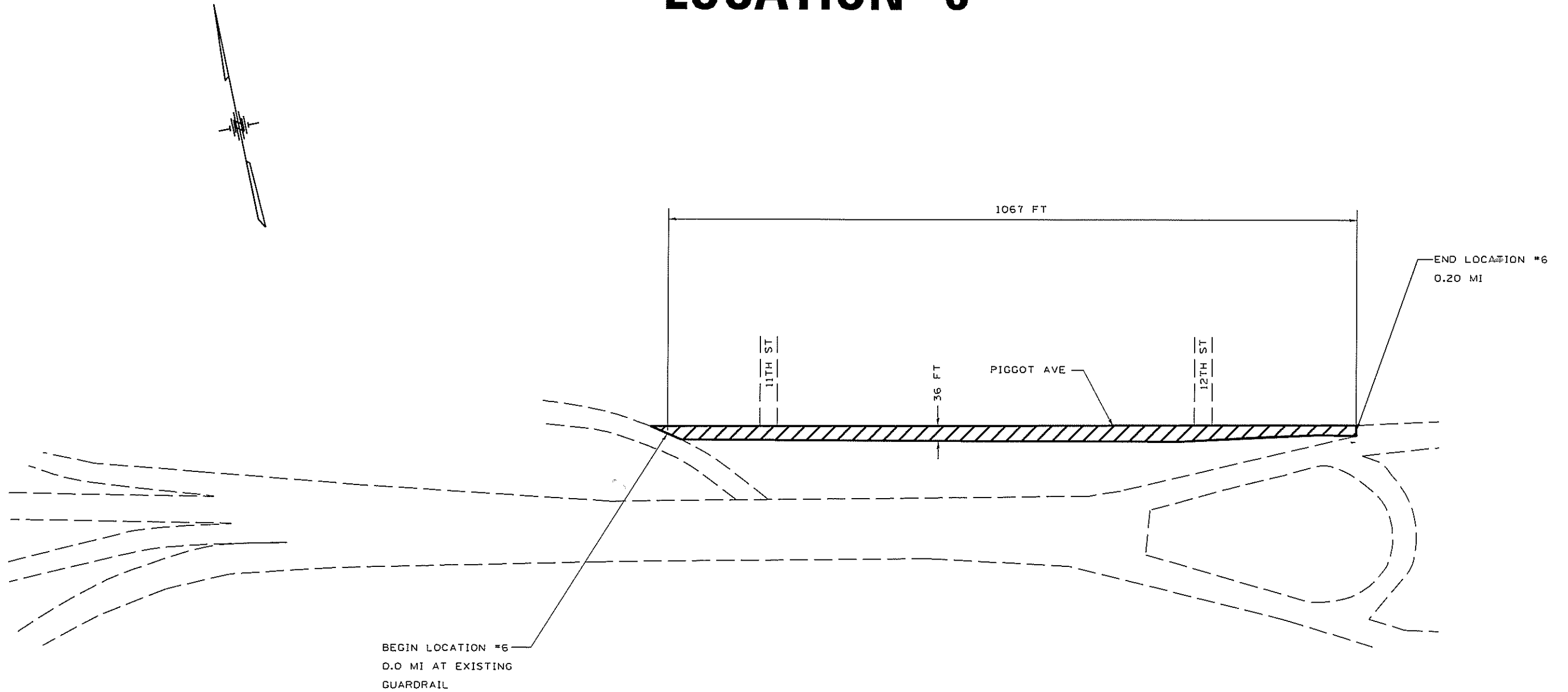
NOT TO SCALE

 BITUMINOUS SURFACE TREATMENT - A2

\*ST CLAIR AND MONROE

FILE NAME *	USER NAME * #USER#	DESIGNED - _____	REVISED - _____	STATE OF ILLINOIS DEPARTMENT OF TRANSPORTATION	LOCATION 5 DETAIL	F.A. RTE.	SECTION	COUNTY	TOTAL SHEETS	SHEET NO.
*FILE#	PLDT SCALE * #SCALE#	DRAWN - _____	REVISED - _____			VARIOUS	DIST 8 RESURFACING 2014-3	-	12	9
*MODELNAME#	PLDT DATE * #DATE#	CHECKED - _____	REVISED - _____			CONTRACT NO. 76648			ILLINOIS FED. AID PROJECT	
				SCALE: NOT TO SCALE   SHEET _____ OF _____ SHEETS   STA. _____ TO STA. _____						

# LOCATION 6



NOT TO SCALE

NOTE: PRIOR TO THE WORK SHOWN, DISTRICT 8 MAINTENANCE CREWS SHALL PREPARE EXISTING PAVEMENT FOR A-2 TREATMENT BY CONSTRUCTING A LARGE PATCH AT THIS LOCATION.

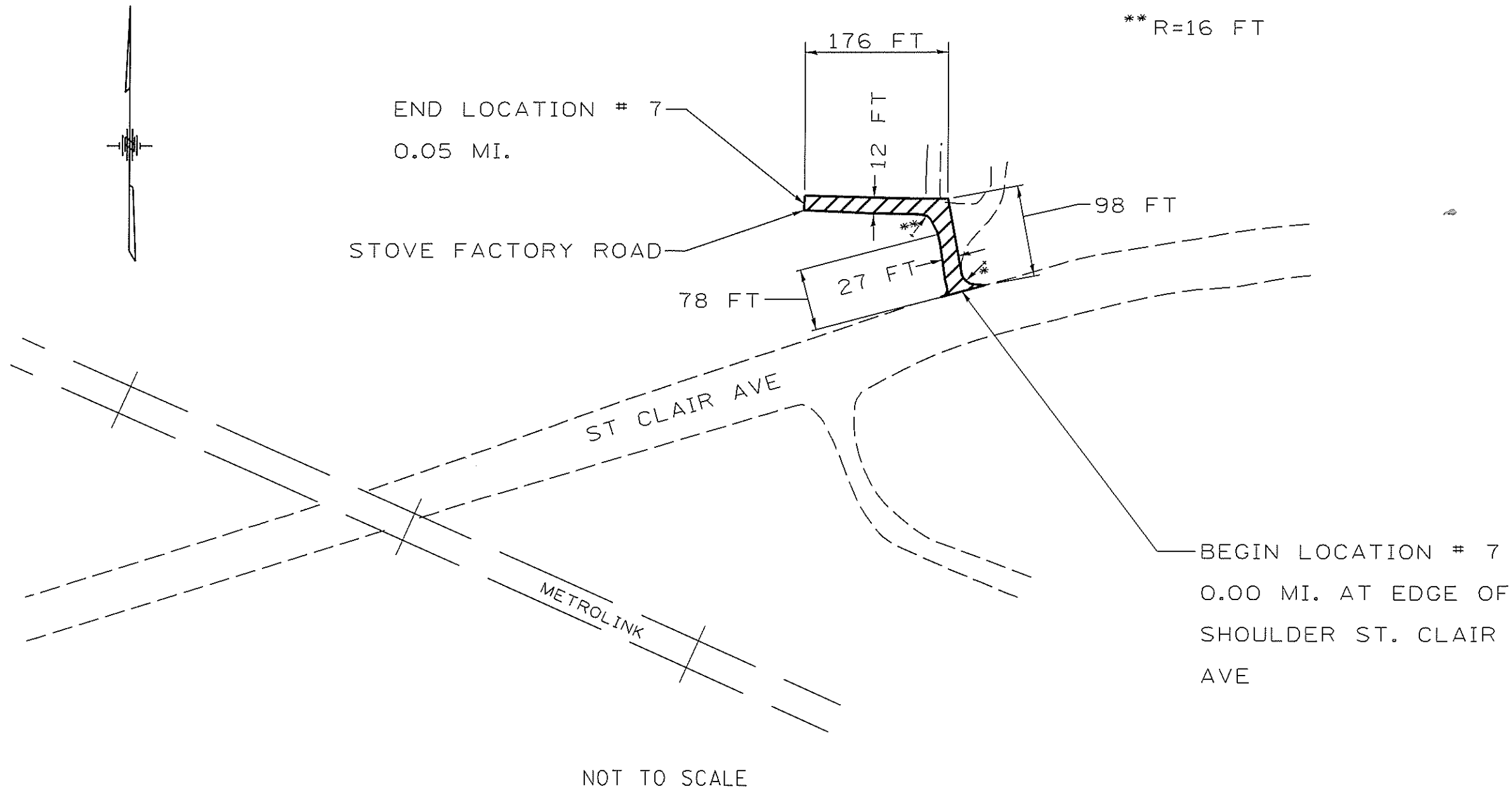
 BITUMINOUS SURFACE TREATMENT - A2

\*ST CLAIR AND MONROE

FILE NAME *	USER NAME * #USER*	DESIGNED - _____	REVISED - _____	STATE OF ILLINOIS DEPARTMENT OF TRANSPORTATION	LOCATION 6 DETAIL	F.A. RTE.	SECTION	COUNTY	TOTAL SHEETS	SHEET NO.	
*FILEL*		DRAWN - _____	REVISED - _____			VARIOUS	DIST 8 RESURFACING 2014-3	-	12	10	
*MODELNAME*		CHECKED - _____	REVISED - _____			CONTRACT NO. 76C48					
		DATE - _____	REVISED - _____			ILLINOIS FED. AID PROJECT					
					SCALE: NOT TO SCALE SHEET ____ OF ____ SHEETS STA. _____ TO STA. _____						

# LOCATION 7

\* R=11 FT  
 \*\* R=16 FT



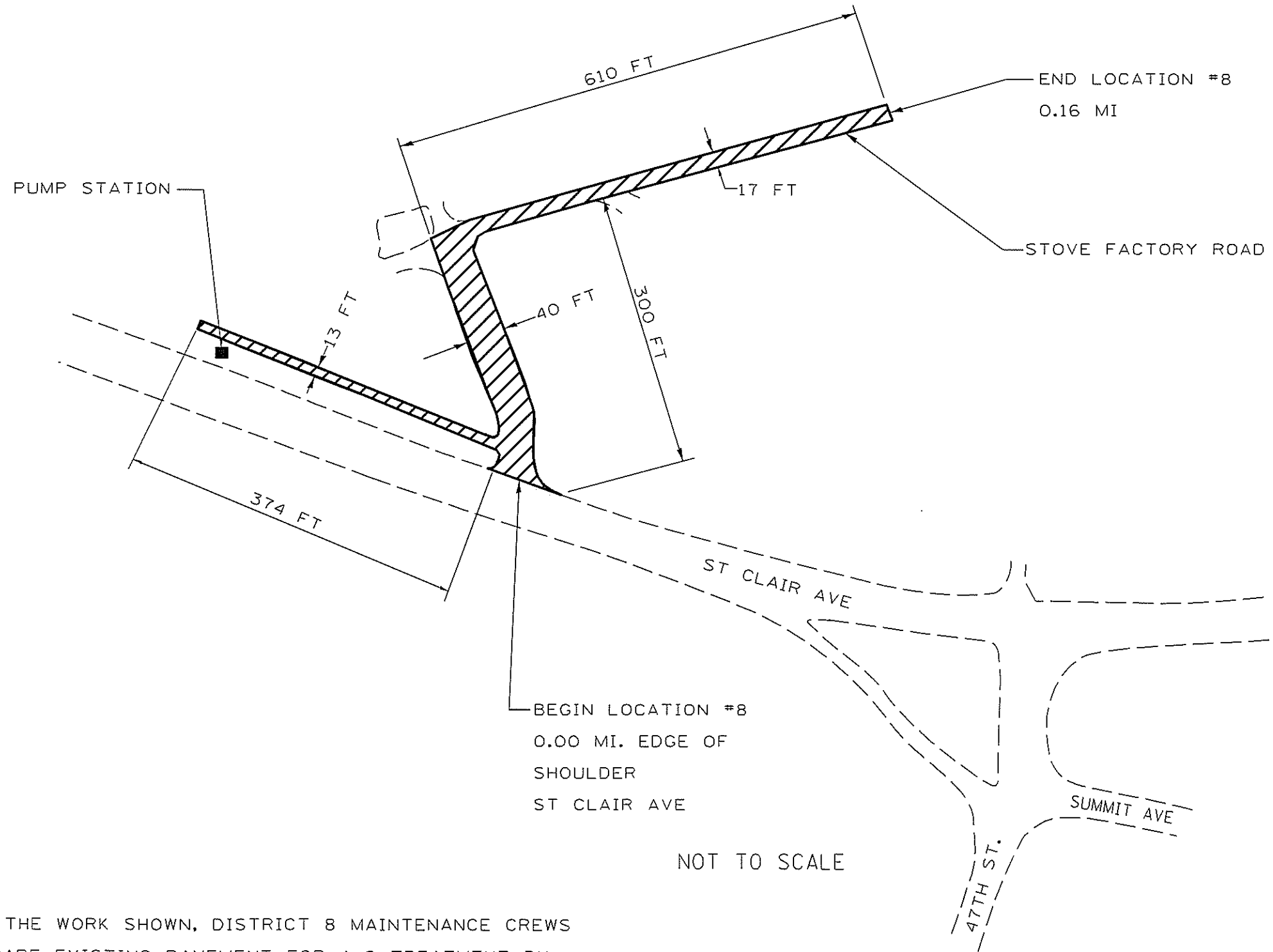
NOTE: PRIOR TO THE WORK SHOWN, DISTRICT 8 MAINTENANCE CREWS WILL PREPARE EXISTING PAVEMENT FOR A-2 TREATMENT BY PLACING, COMPACTING, AND GRADING AGGREGATE TO PROVIDE A SUITABLE BASE AT THIS LOCAITON.

 BITUMINOUS SURFACE TREATMENT - A2

\*ST CLAIR AND MONROE

FILE NAME * #FILE#	USER NAME = #USER#	DESIGNED - _____	REVISED - _____	STATE OF ILLINOIS DEPARTMENT OF TRANSPORTATION	LOCATION 7 DETAIL	F.A. RTE.	SECTION	COUNTY	TOTAL SHEETS	SHEET NO.	
#MODELNAME#	PLOT SCALE = #SCALE#	CHECKED - _____	REVISED - _____			VARIOUS DIST 8 RESURFACING 2014-3	.	12	11		
	PLOT DATE = #DATE#	DATE - _____	REVISED - _____			CONTRACT NO. 76648		ILLINOIS FED. AID PROJECT			
SCALE: NOT TO SCALE   SHEET _____ OF _____ SHEETS   STA. _____ TO STA. _____											

# LOCATION 8



NOTE: PRIOR TO THE WORK SHOWN, DISTRICT 8 MAINTENANCE CREWS WILL PREPARE EXISTING PAVEMENT FOR A-2 TREATMENT BY PLACING, COMPACTING, AND GRADING AGGREGATE TO PROVIDE A SUITABLE BASE AT THIS LOCATION.

 BITUMINOUS SURFACE TREATMENT - A2

\*ST CLAIR AND MONROE

FILE NAME * *FILE#	USER NAME * #USER#	DESIGNED - _____	REVISED - _____	STATE OF ILLINOIS DEPARTMENT OF TRANSPORTATION	LOCATION 8 DETAIL	F.A. RTE.	SECTION	COUNTY	TOTAL SHEETS	SHEET NO.
	PLOT SCALE = #SCALE#	DRAWN - _____	REVISED - _____			VARIOUS	DIST 8 RESURFACING 2014-3	*	12	12
	PLOT DATE = #DATE#	CHECKED - _____	REVISED - _____			CONTRACT NO. 76648			ILLINOIS FED. AID PROJECT	
#MODELNAME#		DATE - _____	REVISED - _____	SCALE: NOT TO SCALE   SHEET 1 OF 1 SHEETS   STA. _____ TO STA. _____						