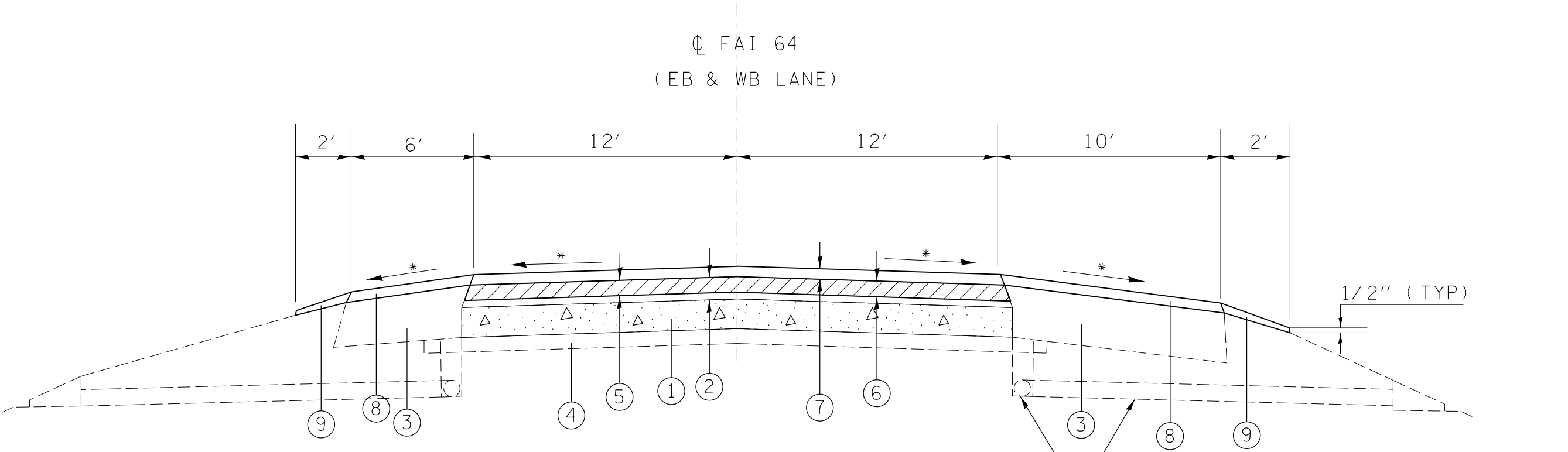


TYPICAL SECTION
 FAI 64 MAINLINE
 IN DIRECTION OF TRAFFIC
 (NOT TO SCALE)



TO BE USED:

STA 5455+88 TO STA 5512+48 (CL MEDIAN)
 STA 5519+36 TO STA 5763+58 (CL MEDIAN)
 STA. 5764+72 TO STA. 5800+32 (CL MEDIAN)

* MATCH EXISTING SLOPE

EXISTING PIPE UNDERDRAINS & PIPE UNDERDRAINS (SPL.) (TO STAY IN PLACE) (TYP.)

- | | |
|--|---|
| ① EXISTING CRC PAVEMENT 8" | ⑥ POLY. HMA BINDER COURSE, IL-19.0, N90, 2 1/4" |
| ② EXISTING BIT SURFACE AND BINDER (4 3/4") | ⑦ POLY. HMA SURFACE COURSE, MIX. D, N90, 1 1/2" |
| ③ EXISTING HMA SHOULDERS 13" | ⑧ HMA SHOULDERS (1 1/2") (SEE MIX. REQ'S. SHT. 4) |
| ④ EXISTING STABILIZED SUB-BASE (4") | ⑨ AGGREGATE WEDGE SHOULDERS, TY B |
| ⑤ HMA SURFACE REMOVAL, 2 1/4" | |