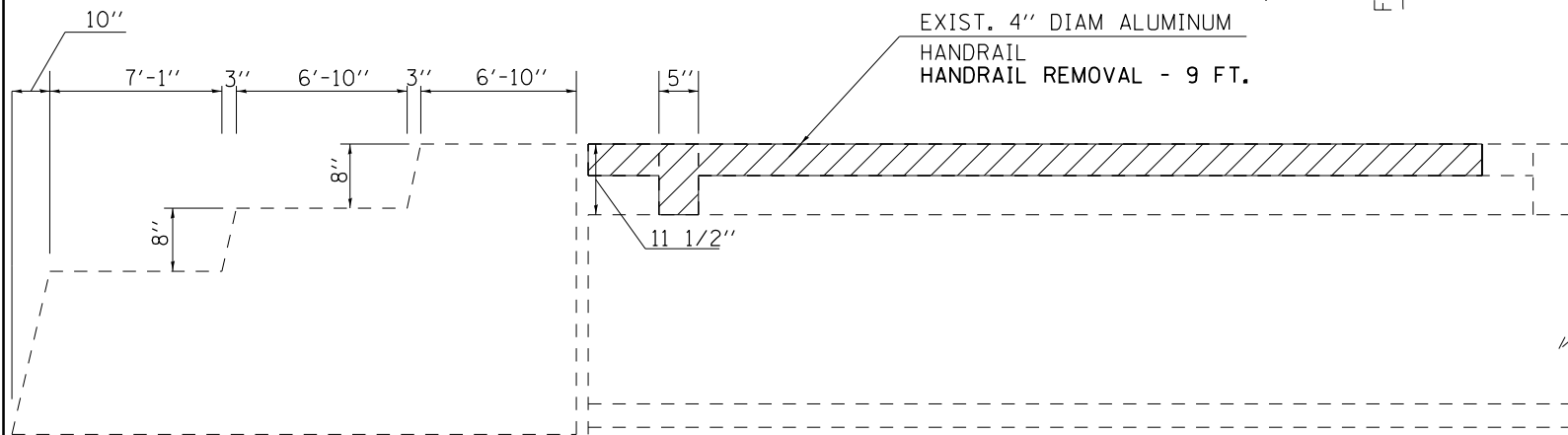
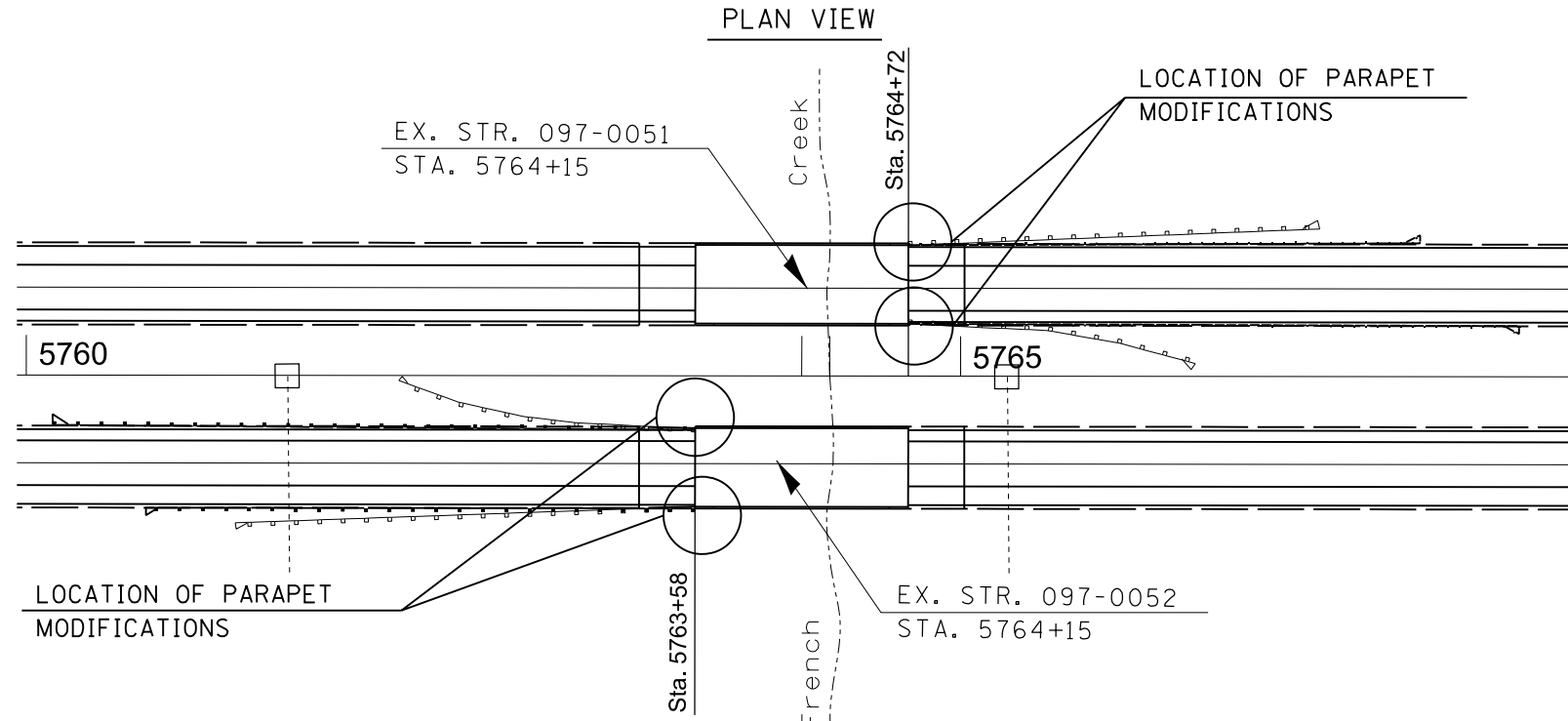
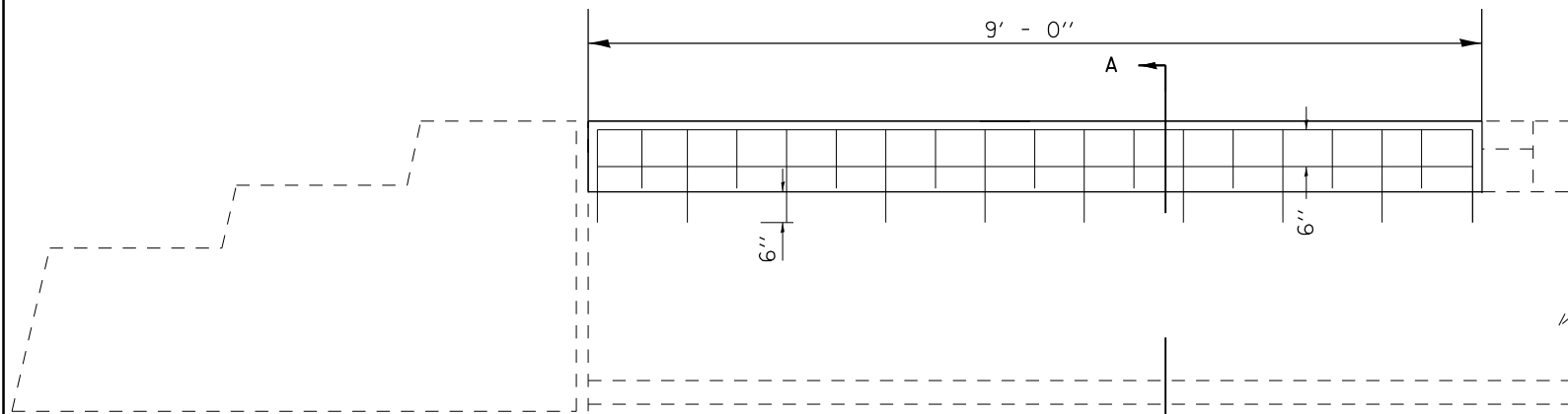


PARAPET WALL MODIFICATION FOR TYPE 6 ATTACHMENT

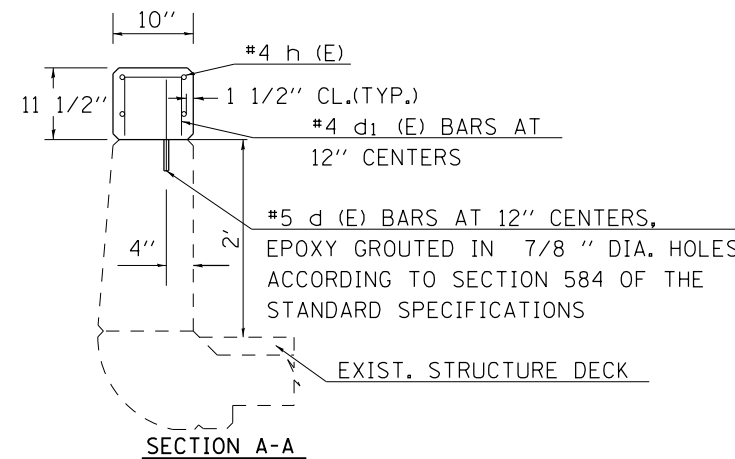
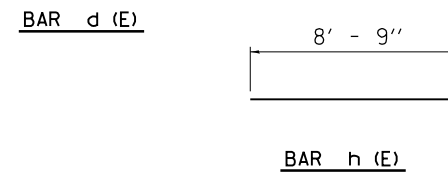
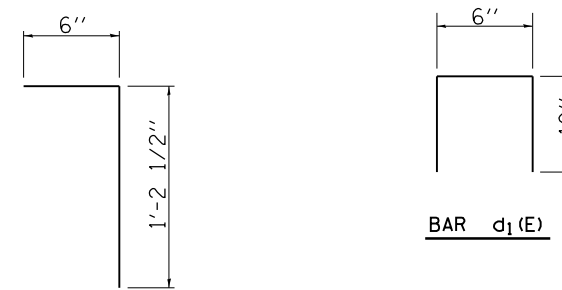
PLAN VIEW



INSIDE ELEVATION (EXISTING)



INSIDE ELEVATION (PROPOSED)



BILL OF MATERIAL

BAR	SIZE	NO.	LENGTH	SHAPE
d (E)	#5	20	1'-10"	┌
d1 (E)	#4	18	2'-2"	┌
h (E)	#4	16	8'-9"	—
CONCRETE SUPERSTRUCTURE			CU YDS	1.08
REINFORCEMENT BARS EPOXY COATED			LBS	222

NOTES:
 QUANTITIES ARE FOR THE TOTAL 4 MODIFICATIONS. LOCATIONS ARE CIRCLED IN PLAN VIEW.
 ALL BARS SHALL BE EPOXY COATED.
 IF NECESSARY, THE BARS MAY BE CUT IN THE FIELD.
 THE COST OF CUTTING THE ALUMINUM HANDRAIL AND REMOVING THE BRACKETS SHALL BE INCLUDED IN THE COST OF HANDRAIL REMOVAL.

FILE NAME =	USER NAME = mccordkr	DESIGNED -	REVISED -
ei:\pw\work\pwidot\mccordkr\0282931\78282-shit-plan.dgn		DRAWN -	REVISED -
Default	PLOT SCALE = 200.0000' / in.	CHECKED -	REVISED -
	PLOT DATE = 10/30/2013	DATE -	REVISED -

**STATE OF ILLINOIS
DEPARTMENT OF TRANSPORTATION**

**PARAPET WALL MODIFICATION FOR
TYPE 6 ATTACHMENT**

SCALE: SHEET OF SHEETS STA. TO STA.

*(97-2-1)RS-1; BSMART 2012-1,2,3

F.A.I. RTE.	SECTION	COUNTY	TOTAL SHEETS	SHEET NO.
64	.	WHITE	54	26
CONTRACT NO. 78282				
ILLINOIS FED. AID PROJECT				