

008

01-17-2020 LETTING ITEM 088

FOR INDEX OF SHEETS & STATE STANDARDS  
SEE SHEET NO. 2

STATE OF ILLINOIS  
DEPARTMENT OF TRANSPORTATION  
DIVISION OF HIGHWAYS

PROPOSED  
HIGHWAY PLANS

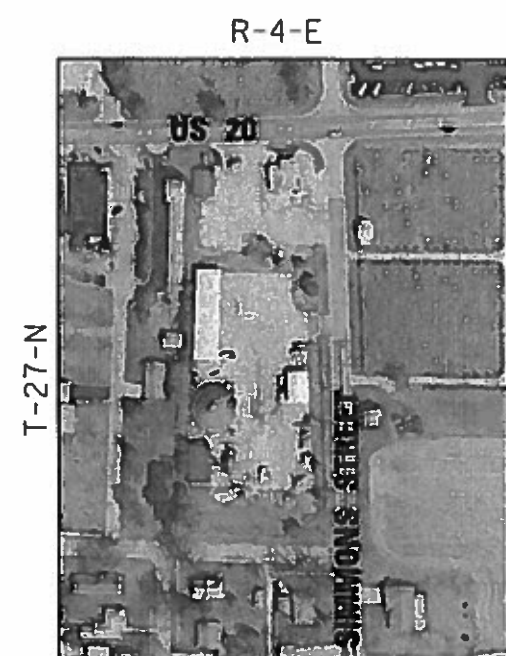
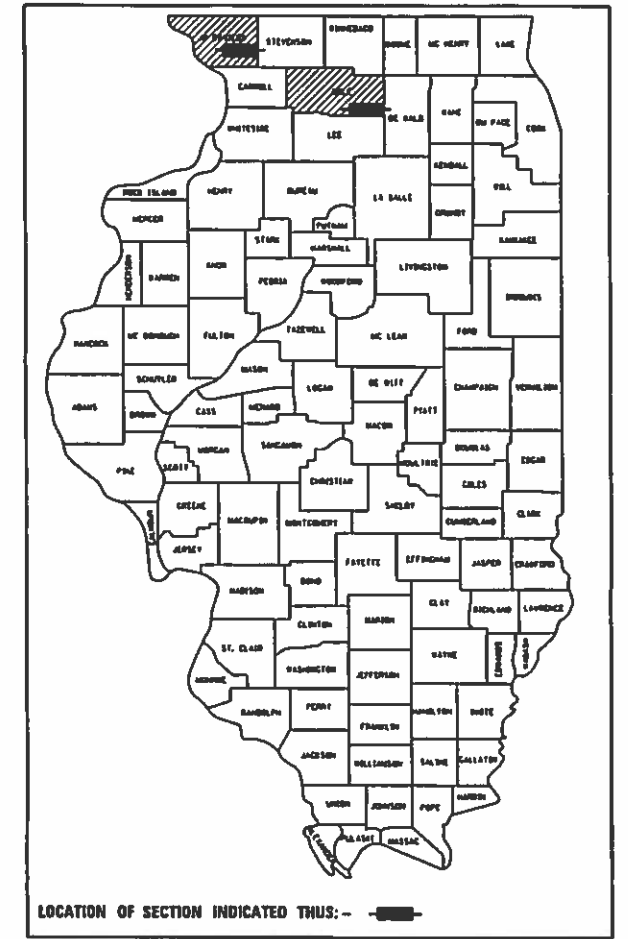
MUN 6080 (SIMMONS STREET) &  
TR 372 (MULFORD ROAD)  
SECTION D2 MAINT YARD 2020-1  
OGLE & JoDAVISS COUNTY  
C-92-001-20

MUN 6080 & TR 372  
D2 MAINT YARD 2020-1 OGLE & JoDAVISS

RTE.	SECTION	COUNTY	TOTAL SHEETS	SHEET NO.
**	**	***	8	1

CONTRACT NO. 64P01

D-92-004-20



TOWNSHIP (SECTION):

CRESTON YARD - DEMENT (16)

STOCKTON YARD - STOCKTON (11)

J.U.L.I.E.  
JOINT UTILITY LOCATION INFORMATION FOR EXCAVATION  
1-800-892-0123

GROSS LENGTH OF PROJECT = N/A FT= N/A MILES

NET LENGTH OF PROJECT = N/A FT= N/A MILES

CONTRACT NO. 64P01

STATE OF ILLINOIS  
DEPARTMENT OF TRANSPORTATION  
DIVISION OF HIGHWAYS

SUBMITTED Oct 09, 20 19

[Signature]  
REGION ENGINEER

Dec 6 20 19  
[Signature]  
ENGINEER OF DESIGN AND ENVIRONMENT

Dec 6 20 19  
[Signature]  
DIRECTOR OF HIGHWAYS, PROJECT IMPLEMENTATION

PRINTED BY THE AUTHORITY  
OF THE STATE OF ILLINOIS

## INDEX

- 1 Cover Sheet
- 2 Index of Sheets / State Standards
- 3 Summary of Quantities
- 4 General Notes
- 5-6 Typicals
- 7-8 Plan Sheets

## STATE STANDARDS

701901-08 TRAFFIC CONTROL DEVICES

## DISTRICT STANDARDS

**SUMMARY OF QUANTITIES**

MUN 6080 (Simmons Street) & TR 372 (Mulford Road)  
SECTION D2 Maint Yard 2020-1  
Ogle & JoDaviess COUNTY  
CONTRACT # 64P01  
SHEET 3 OF 8

100% State  
0005

CODE NO.	ITEM	UNIT	CRESTON OGLE	STOCKTON JoDAVIESS	TOTAL QUANTITY
40600290	BITUMINOUS MATERIALS (TACK COAT)	POUND	2931	4178	7109
40603310	HOT-MIX ASPHALT SURFACE COURSE, MIX "C", N50	TON	730	1387	2117
44000161	HOT-MIX ASPHALT SURFACE REMOVAL 3"	SQ YD	4343		4343
44000165	HOT-MIX ASPHALT SURFACE REMOVAL 4"	SQ YD		6047	6047
67100100	MOBILIZATION	L SUM	0.5	0.5	1

# GENERAL NOTES

All Borrow/Waste/Use sites must be approved by the Department prior to removing any material from the project or initiating any earthmoving activities, including temporary stockpiling outside the limits of construction.

The final top 4 inches of soil in any right-of-way area disturbed by the Contractor must be capable of supporting vegetation. The soil must be from the A horizon (zero to 2' deep) of soil profiles of local soils. The cost of this work shall be included in the unit prices bid and no additional compensation will be allowed.

The following Mixture Requirements are applicable for this project:

Location(s):	Surface		
Mixture Use(s):	Surface		
PG:	PG 58-28		
Design Air Voids:	4.0 @ N50		
Mixture Composition (Mixture Gradation):	IL 9.5		
Friction Aggregate:	C		
Mixture Weight:	112 LBS/SY/IN		
Quality Management Program:	QC/QA		
Sublot Size:			
Number of Roller Passes <sup>1)</sup> :			

1) When a number of roller passes is specified, the Contractor may opt to use intelligent compaction in lieu of density testing under the Quality Control for Performance (QCP) program.

The Contractor shall be responsible for locating and protecting utility property during construction operations as outlined in Article 107.39 of the Standard Specifications. A minimum of 48 hours advance notice is required for non-emergency work. The JULIE number is 800-892-0123. The following listed utilities located within the project limits or immediately adjacent to the project construction limits are members of JULIE:

**(Type name & phone number of JULIE companies from attached utility form.)**

\_\_\_\_\_

IDOT is not a member of JULIE. If you are near any overhead lighting, intersection lighting or traffic signals, contact the IDOT Traffic Office at 815/284-5469 at least 48 hours prior to work.

The contractor shall have the option to either keep the millings or leave the millings at the yards. If the contractor chooses to keep the millings, they shall be hauled off site by the contractor. If the contractor chooses to leave the millings at the yard, IDOT shall provide the trucking for the millings. If the contractor is going to leave the millings at the yard, the contractor shall contact the OS1 or field engineer for the area one week prior to the milling operations begin.

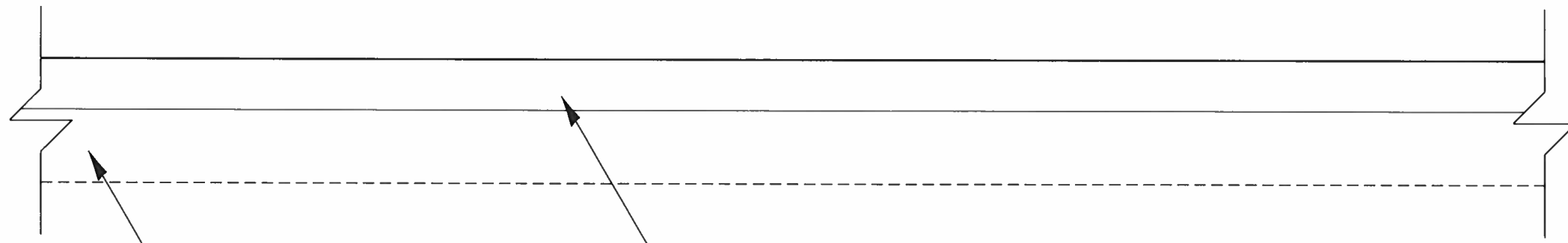
Before work starts at the Stockton yard, the contractor shall contact the OS1 or field engineer for JoDavies County two weeks before work shall begin to give the Stockton yard time to prep an area to be surfaced and to clean out a shed that shall have two bays milled and resurfaced.

The contractor shall place temporary ramps at locations as directed by the engineer. The millings shall be used to form the temporary ramps. Temporary ramps shall not be paid for separately but shall be included in the cost of HOT-MIX ASPHALT SURFACE REMOVAL of the thickness specified.

\*MUN 6080 (Simmons Street) & TR 372 (Mulford Road)

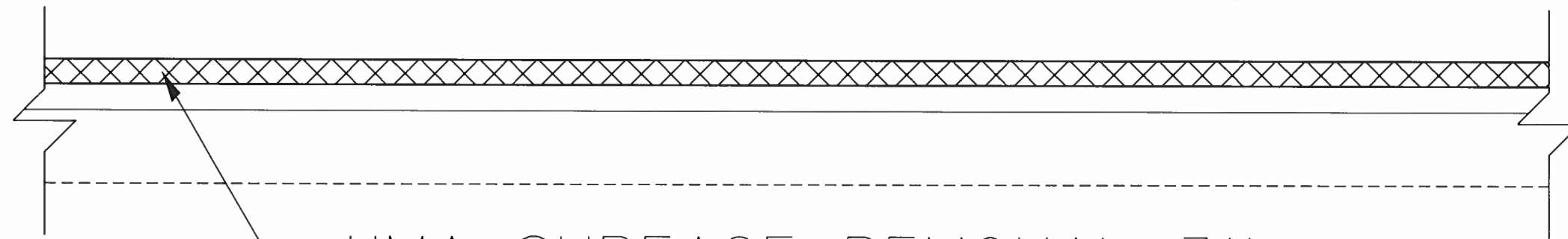
FILE NAME = 64P01GN.DOCX	USER NAME =	DESIGNED - Engineering Systems	REVISED -	<b>STATE OF ILLINOIS DEPARTMENT OF TRANSPORTATION</b>	<b>GENERAL NOTES</b>	FA SITE	SECTION	COUNTY	TOTAL SHEET	SHEET NO.	
	PLOT SCALE =	DRAWN -	REVISED -			*	D2 Maint Yard 2020-1	Jo Davies & Ogle	8	4	
	PLOT DATE = 8/7/2019 11:53 AM	CHECKED -	REVISED -			CONTRACT NO. 64P01					
	DATE = 8/7/2019 9:56 AM	DATE - 8/7/2019 9:56 AM	REVISED -			SCALE:		SHEET NO. OF SHEETS STA. TO STA.		ELINKS FED AID PROJECT	

# CRESTON YARD



EXISTING HMA (6-6.4 INCH THICKNESS)

EXISTING AGGREGATE SUB-BASE



HMA SURFACE REMOVAL 3"

3" HMA SURFACE COURSE, MIX "C" ,N50  
(PLACED IN TWO LIFTS)

MODEL: Default  
FILE NAME: S:\P\Nicklaus\2019\David ACreston\Creston Yard.dwg

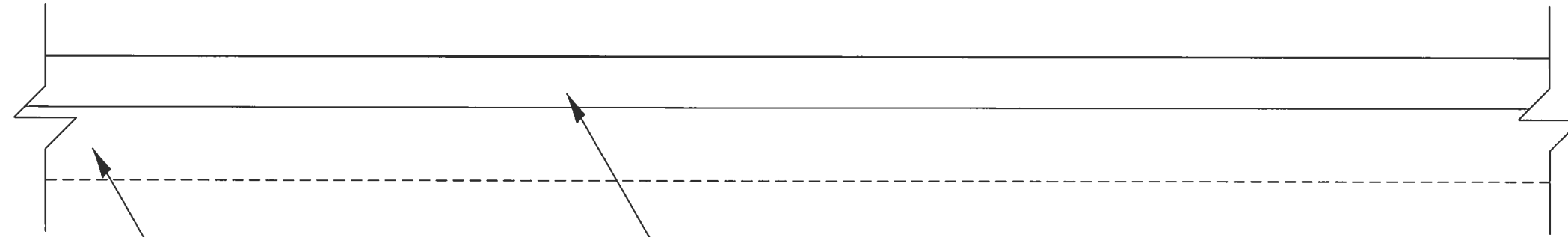
USER NAME = Nicklaus	DESIGNED - _____	REVISED - _____
	DRAWN - _____	REVISED - _____
PLOT SCALE = 102.9963' / in.	CHECKED - _____	REVISED - _____
PLOT DATE = Aug-06-2019 09:20:19 AM	DATE - _____	REVISED - _____

STATE OF ILLINOIS  
DEPARTMENT OF TRANSPORTATION

SCALE: _____	SHEET _____ OF _____ SHEETS	STA. _____ TO STA. _____
--------------	-----------------------------	--------------------------

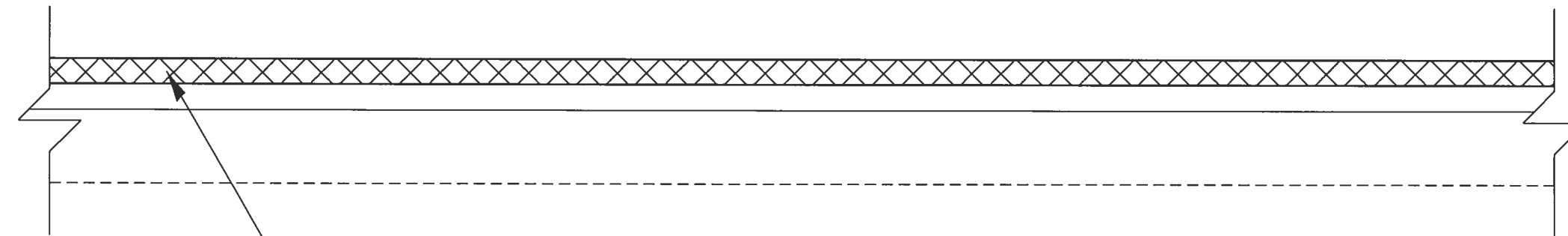
*MUN 6080 & TR 372 **OGLE & JoDAVISS				
RT.	SECTION	COUNTY	TOTAL SHEETS	SHEET NO.
*	DZ MAINT YARD 2020-1	**	8	5
			CONTRACT NO. 64P01	
ILLINOIS FED. AID PROJECT				

# STOCKTON YARD



EXISTING HMA (4-5.5 INCH THICKNESS)

EXISTING AGGREGATE SUB-BASE



HMA SURFACE REMOVAL 4"

4" HMA SURFACE COURSE, MIX "C" ,N50  
(PLACED IN TWO LIFTS)

MODEL: Ref: null  
 FILE NAME: S:\P\Wicklaury\_20 jobs\David Alcreston\Stockton Yard.dgn

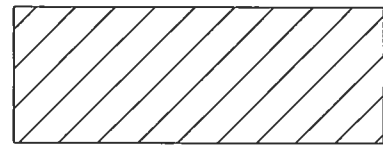
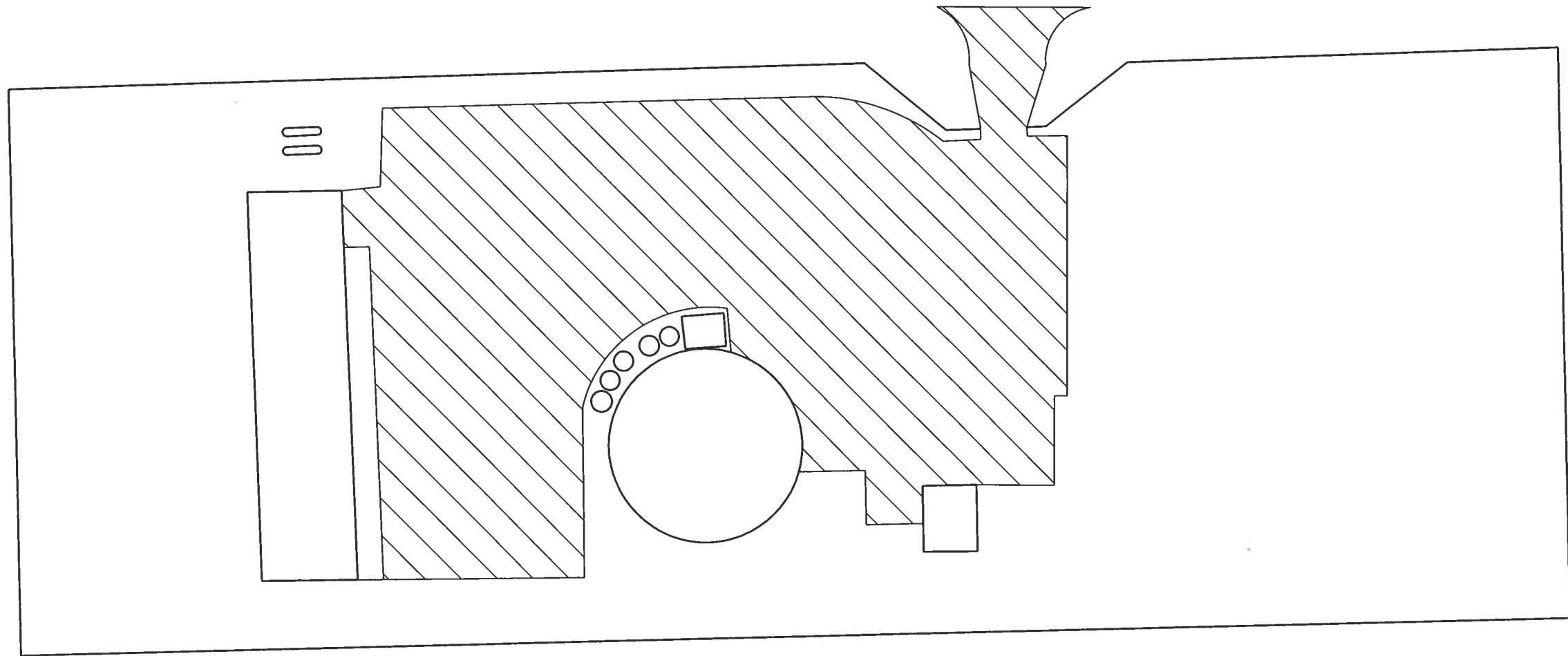
USER NAME = Nicklauste	DESIGNED - _____	REVISED - _____
	DRAWN - _____	REVISED - _____
PLOT SCALE = 102.9963' / in.	CHECKED - _____	REVISED - _____
PLOT DATE = Aug-06-2019 09:21:08 AM	DATE - _____	REVISED - _____

STATE OF ILLINOIS  
DEPARTMENT OF TRANSPORTATION

SCALE: \_\_\_\_\_ SHEET \_\_\_ OF \_\_\_ SHEETS STA. \_\_\_\_\_ TO STA. \_\_\_\_\_

*MUN 6080 & TR 372		**OGLE & JO DAVIESS	
RTE	SECTION	COUNTY	TOTAL SHEETS
*	D2 MAINT YARD 2020-1	**	8
			SHEET NO. 6
CONTRACT NO. 64P01			
ILLINOIS FED. AID PROJECT			

# CRESTON YARD



**AREA TO BE MILLED AND RESURFACED**

MODEL: Creston.dwg  
 FILE NAME: S:\Projects\Wickhaus\FY 20 Jobs\David Wickhaus\Creston Yard.dwg

USER NAME = Nicklauste	DESIGNED - _____	REVISED - _____
	DRAWN - _____	REVISED - _____
PLOT SCALE = 102.9963' / in	CHECKED - _____	REVISED - _____
PLOT DATE = Aug-06-2019 09:21:56 AM	DATE - _____	REVISED - _____

**STATE OF ILLINOIS**  
**DEPARTMENT OF TRANSPORTATION**

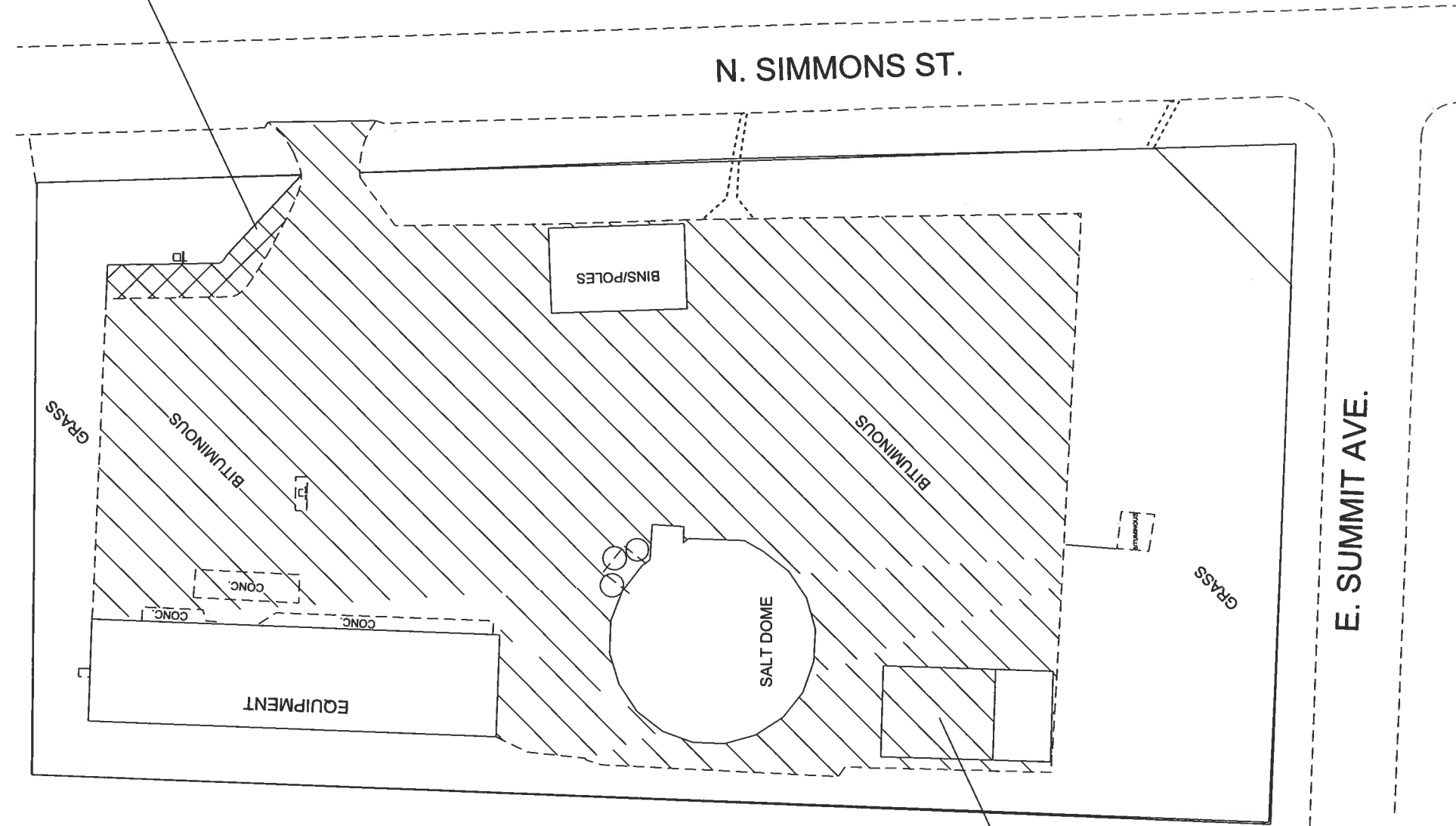
SCALE: \_\_\_\_\_ SHEET \_\_\_ OF \_\_\_ SHEETS STA. \_\_\_\_\_ TO STA. \_\_\_\_\_

*MUN 6080 & TR 372 **OGLE & JoDAVISS				
RTE.	SECTION	COUNTY	TOTAL SHEETS	SHEET NO.
*	D2 MAINT YARD 2020-1	**	8	7
			CONTRACT NO. 64P01	
ILLINOIS FED. AID PROJECT				

# STOCKTON YARD



**AREA TO BE RESURFACED. TO BE PREPARED BY IDOT**



**AREA TO BE MILLED AND RESURFACED**



**AREA TO BE RESURFACED.**

**INSIDE OF BUILDING TO BE MILLED AND RESURFACED**

MODEL Path: \\s:\work\2019\20190806\20190806.dwg  
FILE NAME: S:\work\2019\20190806\20190806.dwg

USER NAME = Nicklauste	DESIGNED - _____	REVISED - _____
	DRAWN - _____	REVISED - _____
PLOT SCALE = 102.9963' / in.	CHECKED - _____	REVISED - _____
PLOT DATE = Aug-06-2019 09:22:43 AM	DATE - _____	REVISED - _____

**STATE OF ILLINOIS  
DEPARTMENT OF TRANSPORTATION**

SCALE: _____	SHEET _____ OF _____ SHEETS	STA. _____ TO STA. _____
--------------	-----------------------------	--------------------------

*MUN 6080 & TR 372 **OGLE & JoDAVISS				
RTE.	SECTION	COUNTY	TOTAL SHEETS	SHEET NO.
*	D2 MAINT YARD 2020-1	**	8	8
CONTRACT NO. 64P01			ILLINOIS FED. AID PROJECT	