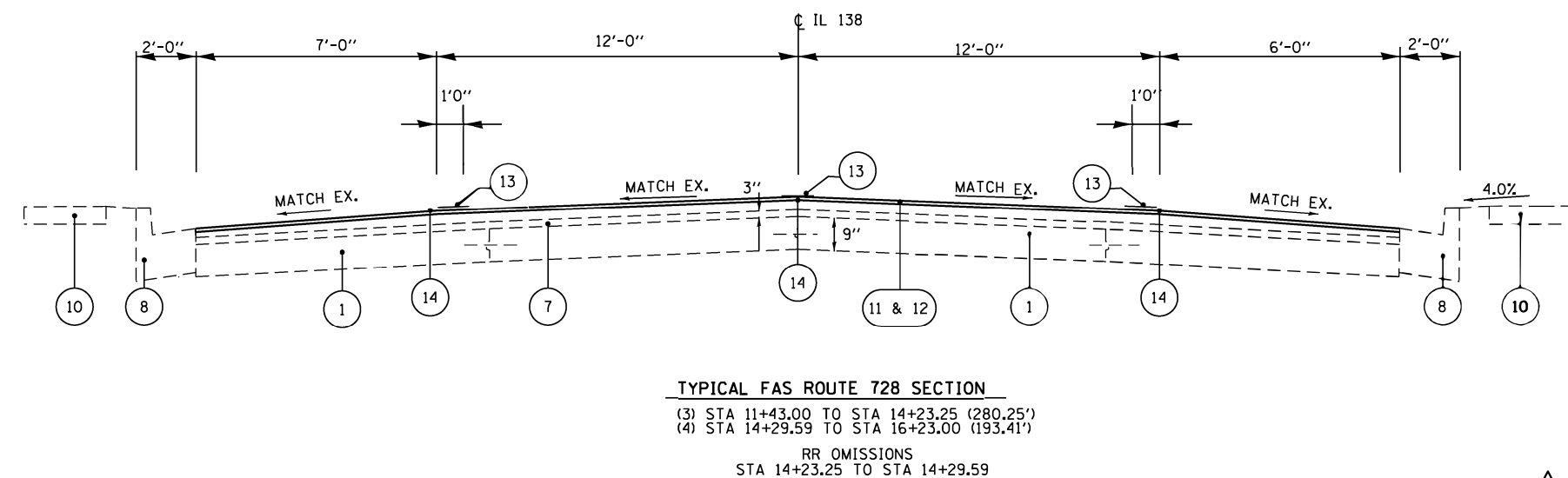
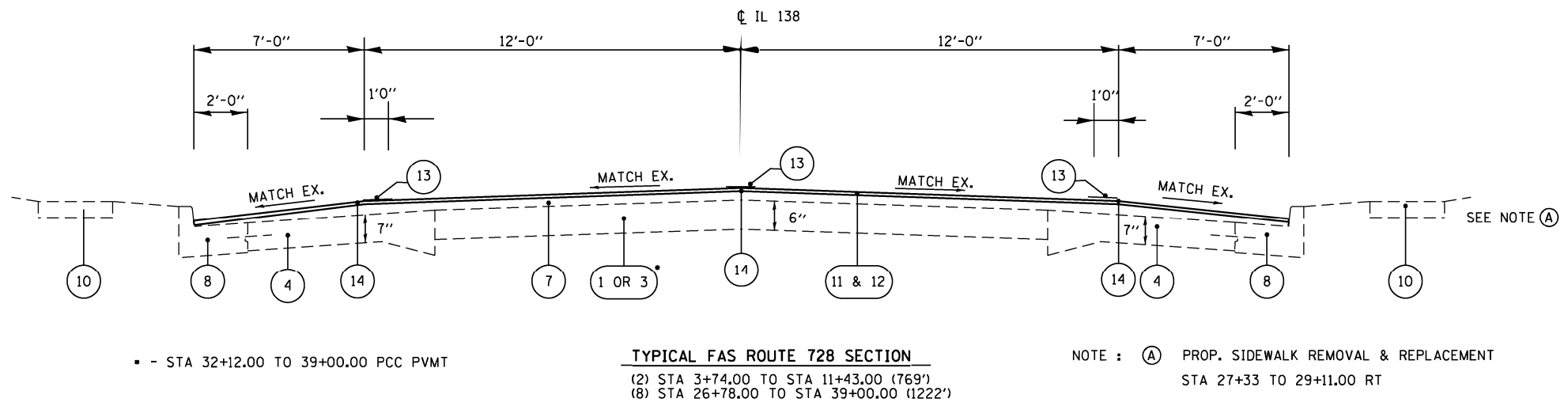
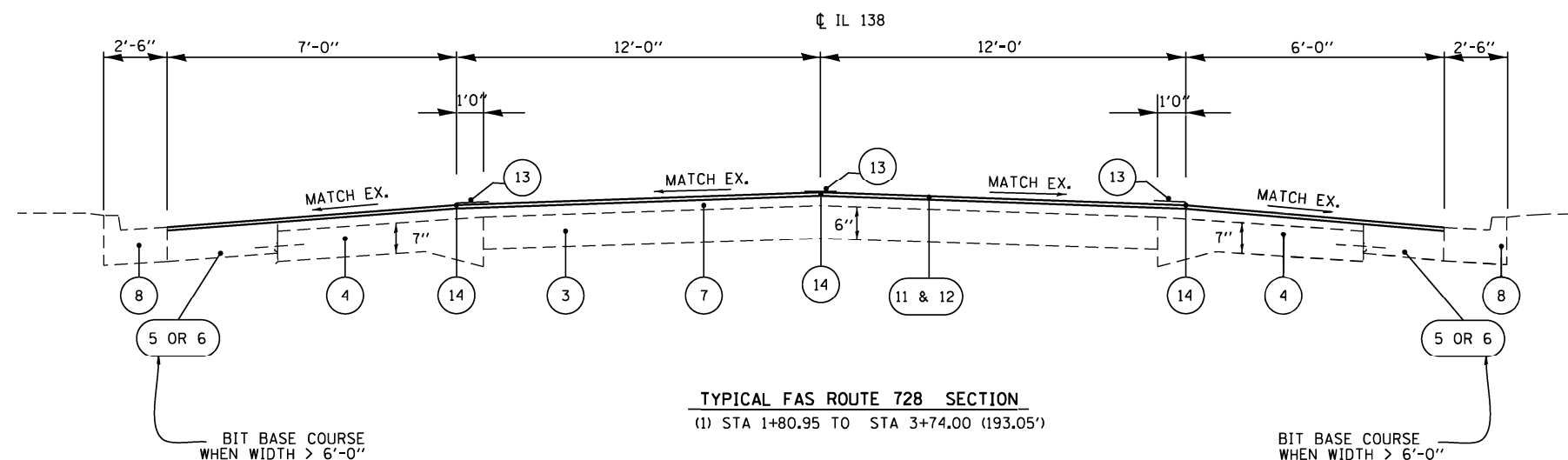


MODEL - Default  
 FILE NAME: P:\HighwayRoom.dwg  
 PROJECT: ILLINOIS STATE ROADWAY DESIGN CENTER  
 PROJECT NO: 72G99  
 SHEET NO: 13  
 DATE: 1/3/2020

LEGEND	
1	EXIST. P.C.C PAVEMENT
2	EXISTING BRICK PAVEMENT
3	EXISTING PCC BASE COURSE
4	EXISTING PCC BASE COURSE WIDENING
5	EXISTING BITUMINOUS CONCRETE BASE COURSE WIDENING
6	EXISTING BITUMINOUS CONCRETE BASE COURSE, 9"
7	EXISTING BITUMINOUS CONCRETE OVERLAY, 6"
8	EXISTING CONCRETE CURB & GUTTER
9	EXISTING CONCRETE CURB, TYPE B
10	EXISTING PCC SIDEWALK
11	PROPOSED HOT MIX ASPHALT SURFACE REMOVAL 2"
12	PROPOSED HOT MIX ASPHALT SURFACE COURSE MIX "C", N50 2"
13	PROPOSE MODIFIED URETHANE PAVT. MARKING LINE 5"
14	LONGITUDINAL JOINT SEALER



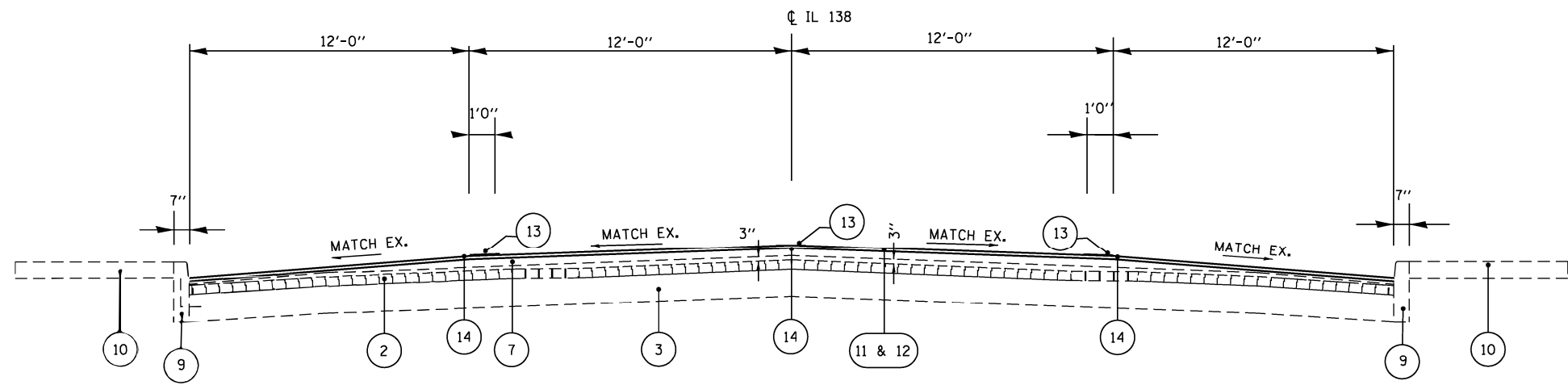
SEE PLAN SHEETS FOR ADA LOCATIONS

Revised Sheet 1-9-2020

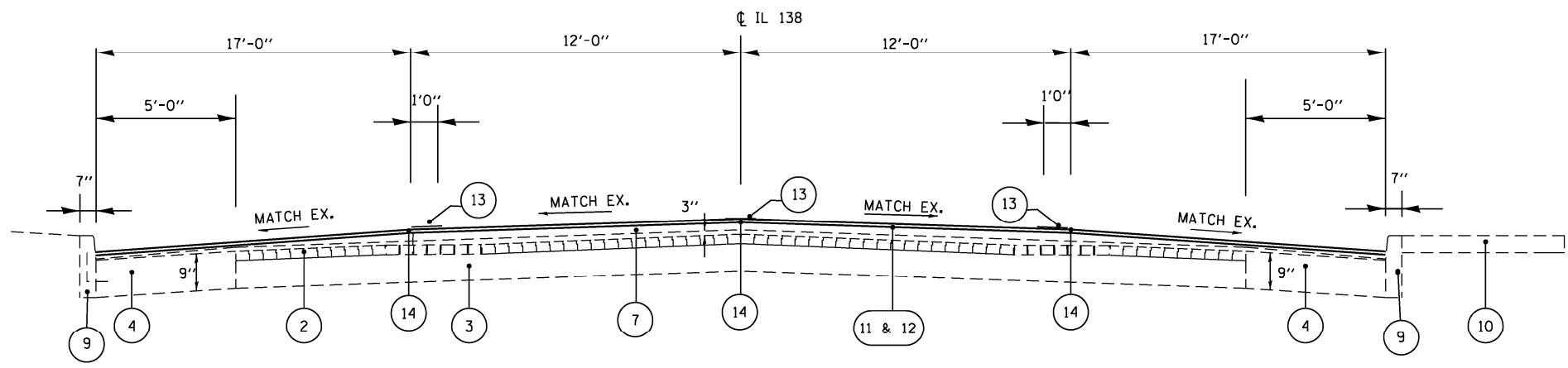
USER NAME = REDDYU	DESIGNED -	REVISED -	STATE OF ILLINOIS DEPARTMENT OF TRANSPORTATION	TYPICAL SECTIONS	F.A.S. RTE.	SECTION	COUNTY	TOTAL SHEETS	SHEET NO.
	DRAWN -	REVISED -			728	(119)RS-3-I-1	MACOUPIN	59	13
	CHECKED -	REVISED -			CONTRACT NO. 72G99				
PLOT SCALE = 26.0000" / in.	CHECKED -	REVISED -	SCALE:	SHEET 1 OF 2 SHEETS	STA.	TO STA.	ILLINOIS FED. AID PROJECT (119)RS-3-I-1		
PLOT DATE = 1/3/2020	DATE -	REVISED -							

MODEL: Default  
 FILE NAME: p:\workroom.dat  
 PROJECT: ILLINOIS STATE ROADWAY DISTRICT OFFICE\DISTRICT OFFICE\DATA\72G99\DATA\72G99-SHC-TYPICAL.DGN

LEGEND	
①	EXIST. P.C.C PAVEMENT
②	EXISTING BRICK PAVEMENT
③	EXISTING PCC BASE COURSE
④	EXISTING PCC BASE COURSE WIDENING
⑤	EXISTING BITUMINOUS CONCRETE BASE COURSE WIDENING
⑥	EXISTING BITUMINOUS CONCRETE BASE COURSE, 9"
⑦	EXISTING BITUMINOUS CONCRETE OVERLAY, 6"
⑧	EXISTING CONCRETE CURB & GUTTER
⑨	EXISTING CONCRETE CURB, TYPE B
⑩	EXISTING PCC SIDEWALK
⑪	PROPOSED HOT MIX ASPHALT SURFACE REMOVAL 2"
⑫	PROPOSED HOT MIX ASPHALT SURFACE COURSE MIX "C", N50 2"
⑬	PROPOSED MODIFIED URETHANE PAVT. MARKING LINE 5"
⑭	LONGITUDINAL JOINT SEALER



**TYPICAL FAS ROUTE 728 SECTION**  
 (5) STA 16+23.00 TO STA 19+13.00 (290')  
 (7) STA 23+04.00 TO STA 26+78.00 (374')



**TYPICAL FAS ROUTE 728 SECTION**  
 (6) STA 19+13.00 TO STA 23+04.00 (391')

Revised Sheet 1-9-2020

USER NAME = REDDYU	DESIGNED -	REVISED -
	DRAWN -	REVISED -
PLOT SCALE = 26.0000' / in.	CHECKED -	REVISED -
PLOT DATE = 1/3/2020	DATE -	REVISED -

**STATE OF ILLINOIS**  
**DEPARTMENT OF TRANSPORTATION**

**TYPICAL SECTIONS**

SCALE: SHEET 2 OF 2 SHEETS STA. TO STA.

F.A.S. RTE.	SECTION	COUNTY	TOTAL SHEETS	SHEET NO.
728	(119)RS-3,I-1	MACOUPIN	59	14
CONTRACT NO. 72G99				
ILLINOIS FED. AID PROJECT				