

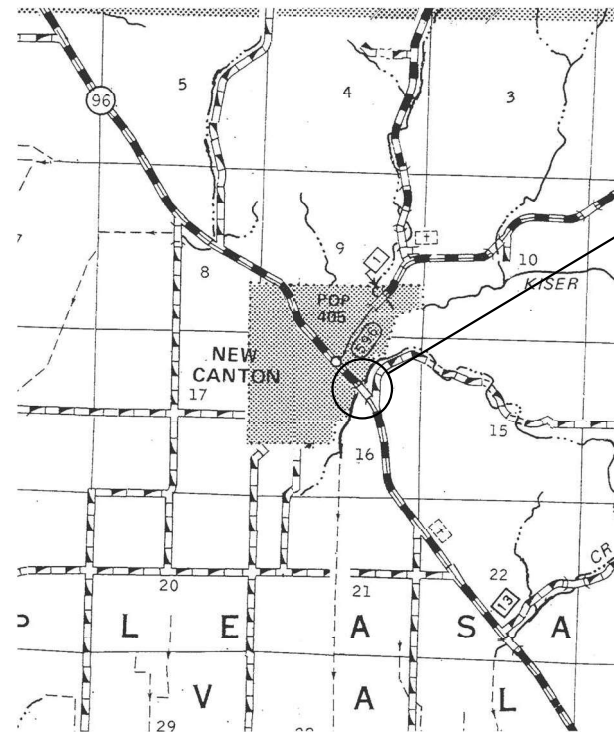
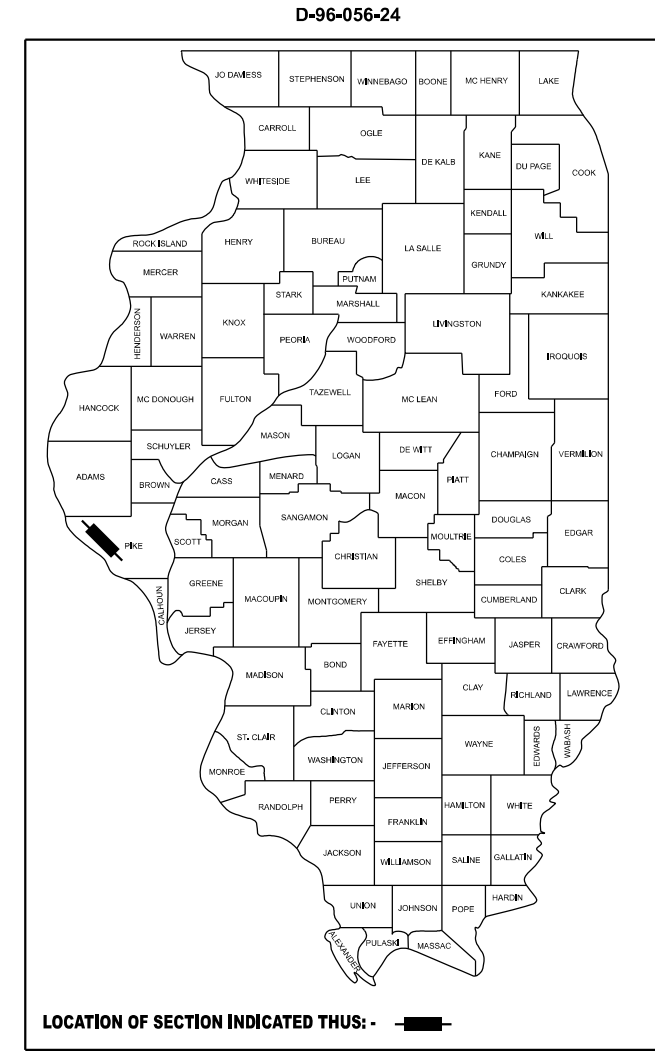
STATE OF ILLINOIS
DEPARTMENT OF TRANSPORTATION

F.A.P. RTE.	SECTION	COUNTY	TOTAL SHEETS	SHEET NO.
304	(2BR)BDR,BJR	PIKE	11	1
		ILLINOIS	CONTRACT NO. 72747	

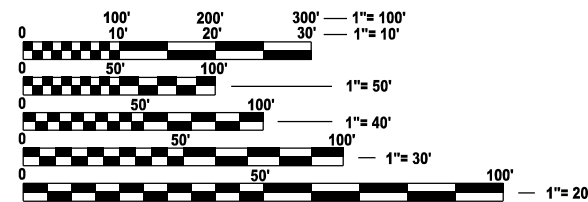
FOR INDEX OF SHEETS, SEE SHEET NO.

**PROPOSED
HIGHWAY PLANS**

**FAP ROUTE 304 (IL 96)
SECTION (2BR)BDR,BJR
PROJECT (STATE ONLY)
BRIDGE DECK REPAIRS
PIKE COUNTY
C-96-078-24**



PROJECT LOCATION
SN 075-0038
IL 96 OVER KISER CREEK
AT NEW CANTON



FULL SIZE PLANS HAVE BEEN PREPARED USING STANDARD ENGINEERING SCALES. REDUCED SIZED PLANS WILL NOT CONFORM TO STANDARD SCALES. IN MAKING MEASUREMENTS ON REDUCED PLANS, THE ABOVE SCALES MAY BE USED.

J.U.L.I.E.
JOINT UTILITY LOCATION INFORMATION FOR EXCAVATION
1-800-892-0123
OR 811

PROJECT ENGINEER: BRANDON DUDLEY - (217) 785-9290
PROJECT MANAGER

CONTRACT NO. 72747

GROSS LENGTH = 272 FT. = 0.052 MILE
NET LENGTH = 272 FT. = 0.052 MILE

STATE OF ILLINOIS
DEPARTMENT OF TRANSPORTATION

SUBMITTED October 17, 2024

Jeff P. Meyer
REGIONAL ENGINEER

December 6, 2024
Scott A. Etkin
ENGINEER OF DESIGN AND ENVIRONMENT

December 6, 2024
James J. ...
DIRECTOR OF HIGHWAYS PROJECT IMPLEMENTATION

**PRINTED BY THE AUTHORITY
OF THE STATE OF ILLINOIS**

INDEX OF SHEETS

- 1 COVER SHEET
- 2 INDEX, STANDARDS, GENERAL NOTES, SIGNATURES, & SCHEDULES
- 3-4 SUMMARY OF QUANTITIES
- 5 TYPICAL SECTIONS
- 6 ROADWAY PLAN
- 7-8 TRAFFIC CONTROL PLAN
- 9-11 BRIDGE PLANS, SN 075-0038

HIGHWAY STANDARDS

- 000001-08
- 001001-02
- 001006
- 420001-10
- 701001-02
- 701006-05
- 701301-04
- 701316-14
- 701326-04
- 701901-10
- 780001-05

SHOULDER IMPROVEMENT SCHEDULE						
STA	TO	STA	PAVED SHLDR. REM. (SQ. YD.)	EARTH EX. (WIDENING) (CU. YD.)	BASE CSE. WIDENING - 8" (SQ. YD.)	AGG. WEDGE SHLDR. TY. B (TON)
308+89 LT	-	310+62 LT	19.2	17.2	96.1	3.4
308+89 RT	-	310+62 RT	19.2	17.2	96.1	3.4
313+93 LT	-	314+28 LT	3.9	3.5	19.4	0.7
313+93 RT	-	315+64 RT	19	17.0	95	3.4
TOTALS:			61.3	54.9	306.6	10.9

GENERAL NOTES:

HMA MIX TABLE		
MIXTURE USE	HMA BASE CSE (TOP 1.5")	HMA BASE CSE (LOWER LIFTS)
PG	PG 64-22	PG 64-22
DESIGN AIR VOIDS	4.0% @ N50	4.0% @ N50
MIXTURE COMPOSITION	IL-9.5	IL-19.0
FRICTION AGGREGATE	MIX "C"	N/A
MIXTURE WEIGHT	112 LB/SY*IN	112 LB/SY*IN
QUALITY MANAGEMENT	QC/QA	QC/QA
SUBLOT SIZE	N/A	N/A

**STATE OF ILLINOIS
DEPARTMENT OF TRANSPORTATION
DIVISION OF HIGHWAYS
DISTRICT 6**

EXAMINED October 15, 2024

[Signature]
ENGINEER OF OPERATIONS

EXAMINED October 15, 2024

[Signature]
ENGINEER OF PROJECT IMPLEMENTATION

EXAMINED October 16, 2024

[Signature]
ENGINEER OF PROGRAM DEVELOPMENT

REV - MS

MODEL: index (Sheet)
FILE NAME: c:\pw\work\pwr\1006833\0672747\Plansheet.dgn

USERNAME = brandon.dudley	DESIGNED -	REVISED -
	DRAWN -	REVISED -
	CHECKED -	REVISED -
PLOT DATE = 9/24/2024	DATE -	REVISED -

**STATE OF ILLINOIS
DEPARTMENT OF TRANSPORTATION**

**INDEX OF SHEETS, HIGHWAY STANDARDS
GENERAL NOTES, & SIGNATURES**

SCALE: SHEET OF 1 SHEETS STA. TO STA.

F.A.P. RTE.	SECTION	COUNTY	TOTAL SHEETS	SHEET NO.
304	(2BR)BDR,BJR	PIKE	11	2
CONTRACT NO. 72747				
ILLINOIS FED. AID PROJECT				

0-02179-6017
 SN 075-0038
 100% STATE

CODE NO.	ITEM	UNIT	TOTAL QUANTITY	BRIDGE
				0047 RURAL
20200500	EARTH EXCAVATION (WIDENING)	CU YD	55	55
35650300	BASE COURSE WIDENING 8"	SQ YD	307	307
44004250	PAVED SHOULDER REMOVAL	SQ YD	62	62
48102100	AGGREGATE WEDGE SHOULDER, TYPE B	TON	15	15
50102400	CONCRETE REMOVAL	CU YD	0.1	0.1
50300300	PROTECTIVE COAT	SQ YD	145	145
67100100	MOBILIZATION	L SUM	1	1
70100100	TRAFFIC CONTROL AND PROTECTION, STANDARD 701316	EACH	1	1
70100500	TRAFFIC CONTROL AND PROTECTION, STANDARD 701326	L SUM	1	1
70106500	TEMPORARY BRIDGE TRAFFIC SIGNALS	EACH	1	1
70106700	TEMPORARY RUMBLE STRIP S	EACH	6	6
* 78009005	MODIFIED URETHANE PAVEMENT MARKING - LINE 5"	FOOT	1600	1600
78300201	PAVEMENT MARKING REMOVAL - GRINDING	SQ FT	420	420
X7200201	WIDTH RESTRICTION SIGNING	L SUM	1	1
Z0001800	APPROACH SLAB REPAIR (PARTIAL DEPTH)	SQ YD	13	13

* SPECIALTY ITEM

REV - MS

MODEL: SQO (Sheet)
 FILE NAME: c:\pw\work\pwr\for\du\duley\m\41006833\0672747\PlanSheet.dgn

USER NAME = brandon.dudley	DESIGNED -	REVISED -	STATE OF ILLINOIS DEPARTMENT OF TRANSPORTATION	SUMMARY OF QUANTITIES				F.A.P. RTE.	SECTION	COUNTY	TOTAL SHEETS	SHEET NO.
	DRAWN -	REVISED -		304	(2BR)BDR,BJR	PIKE	11	3				
	CHECKED -	REVISED -						CONTRACT NO. 72747				
PLOT DATE = 9/24/2024	DATE -	REVISED -		SCALE:	SHEET 3	OF 2	SHEETS	STA.	TO STA.	ILLINOIS FED. AID PROJECT		

0-02179-6017
SN 075-0038
100% STATE

CODE NO.	ITEM	UNIT	TOTAL QUANTITY	BRIDGE
				0047 RURAL
Z0016001	DECK SLAB REPAIR (FULL DEPTH, TYPE I)	SQ YD	5	5
Z0016200	DECK SLAB REPAIR (PARTIAL)	SQ YD	127	127
Z0021908	SILICONE JOINT SEALER, 2"	FOOT	82	82
Z0032500	JOINT SEALING (PATCHES)	FOOT	1800	1800
Z0041895	POLYMER CONCRETE	CU FT	14	14

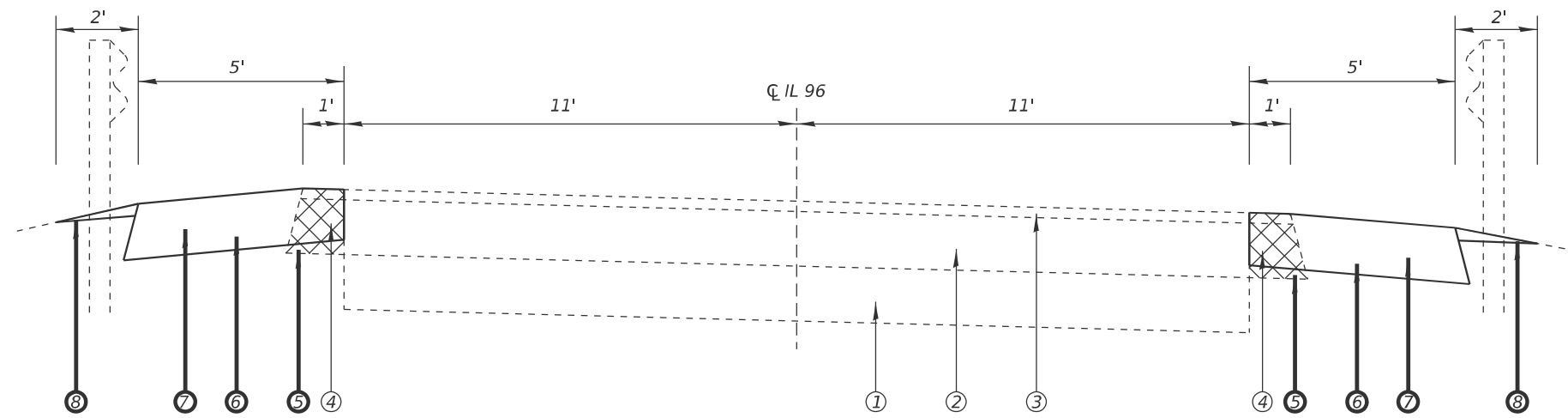
MODEL: SQC2 (Sheet)
 FILE NAME: c:\pw\work\project\dudley\pml\006833\0572747_PlanSheet.dgn

USER NAME = brandon.dudley	DESIGNED -	REVISED -
	DRAWN -	REVISED -
	CHECKED -	REVISED -
PLOT DATE = 9/24/2024	DATE -	REVISED -

STATE OF ILLINOIS
DEPARTMENT OF TRANSPORTATION

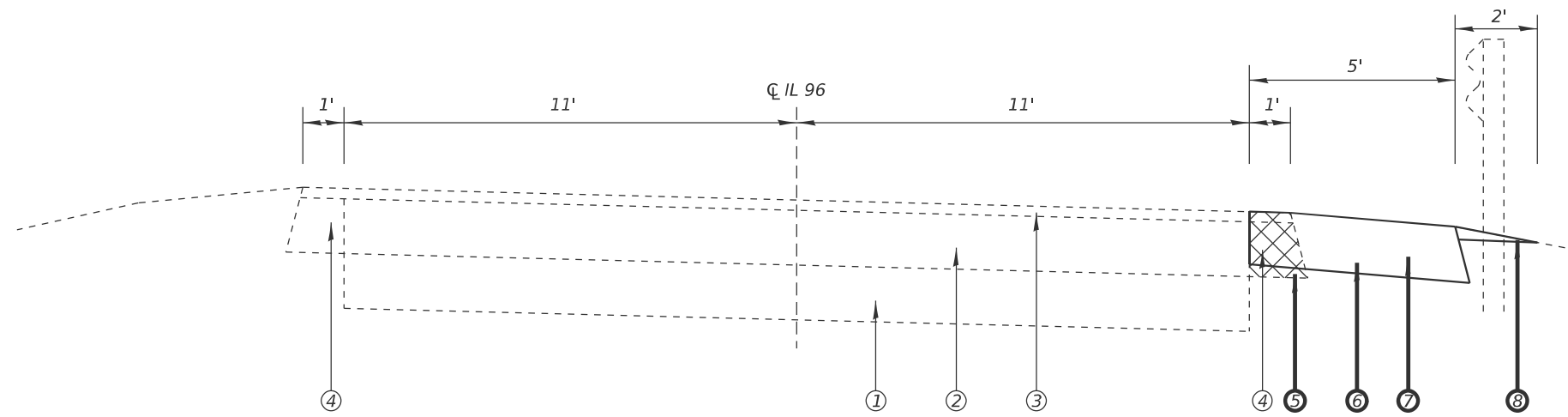
SUMMARY OF QUANTITIES			
SCALE:	SHEET 4	OF 2 SHEETS	STA. TO STA.

F.A.P RTE. 304	SECTION (2BR)BDR,BJR	COUNTY PIKE	TOTAL SHEETS 11	SHEET NO. 4
CONTRACT NO. 72747			ILLINOIS FED. AID PROJECT	



STA 308+89 TO STA 310+62
 STA 313+93 TO STA 314+28

- ① EX. AGG. BASE CSE. - 7"
- ② EX. HMA PAVT. (VARIES)
- ③ EX. HMA. SURF. - 1-1/2"
- ④ EX. HMA SHLDRS. - 8"
- ⑤ PR. PAVED SHLDR. REM.
- ⑥ PR. EARTH EX. (WIDENING)
- ⑦ PR. BASE CSE. WIDENING - 8"
- ⑧ PR. AGG. WEDGE SHLDR.



STA 314+28 TO STA 315+64

MODEL: Typical (Sheet)
 FILE NAME: c:\p\work\pav\brandon.dudley\mtd1006933\0512747_PlanSheet.dgn

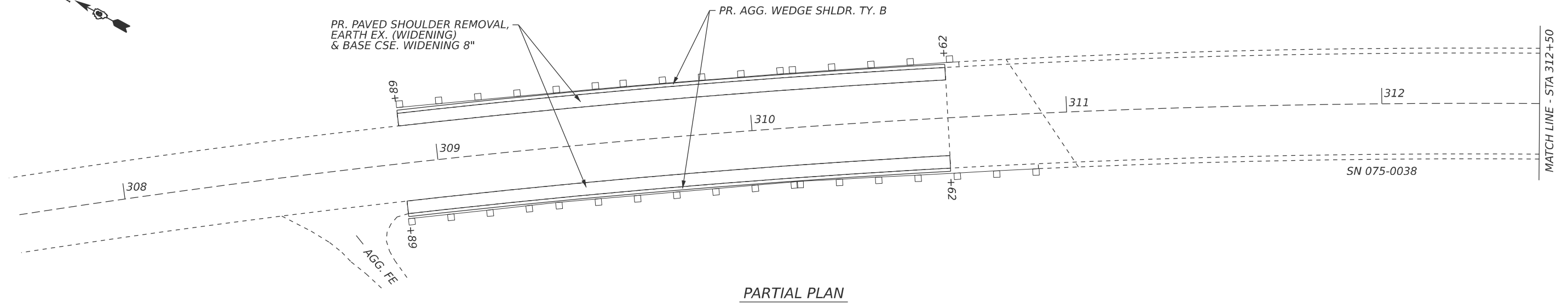
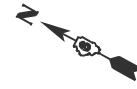
USER NAME = brandon.dudley	DESIGNED -	REVISED -
	DRAWN -	REVISED -
	CHECKED -	REVISED -
PLOT DATE = 9/24/2024	DATE -	REVISED -

**STATE OF ILLINOIS
 DEPARTMENT OF TRANSPORTATION**

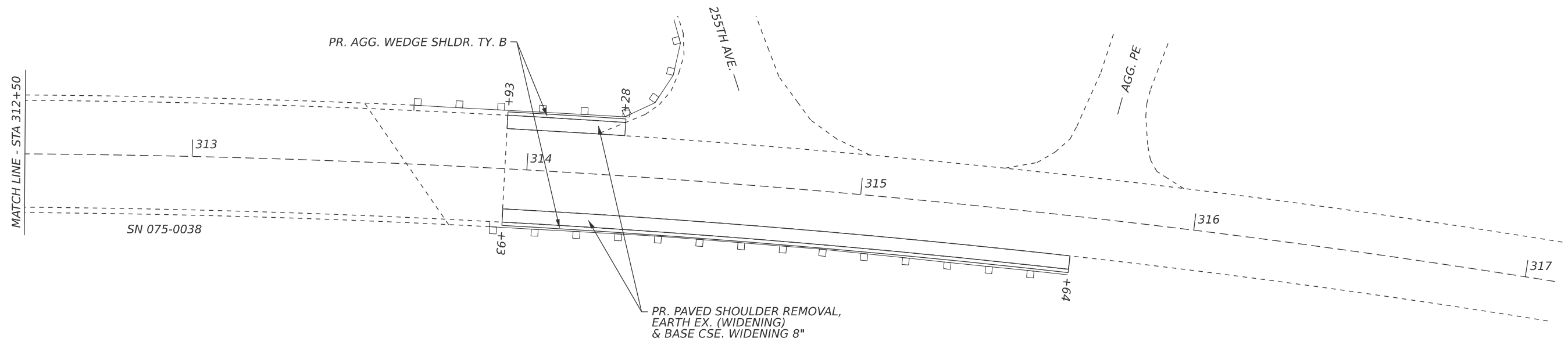
TYPICAL CROSS SECTIONS

SCALE: SHEET 5 OF 1 SHEETS STA. TO STA.

F.A.P. RTE.	SECTION	COUNTY	TOTAL SHEETS	SHEET NO.
304	(2BR)BDR,BJR	PIKE	11	5
CONTRACT NO. 72747				
ILLINOIS FED. AID PROJECT				



PARTIAL PLAN



PARTIAL PLAN

MODEL: roadway plan (Sheet)
 FILE NAME: c:\p\work\wisc\du\du\m\1006933\05172747_PlanSheet.dgn

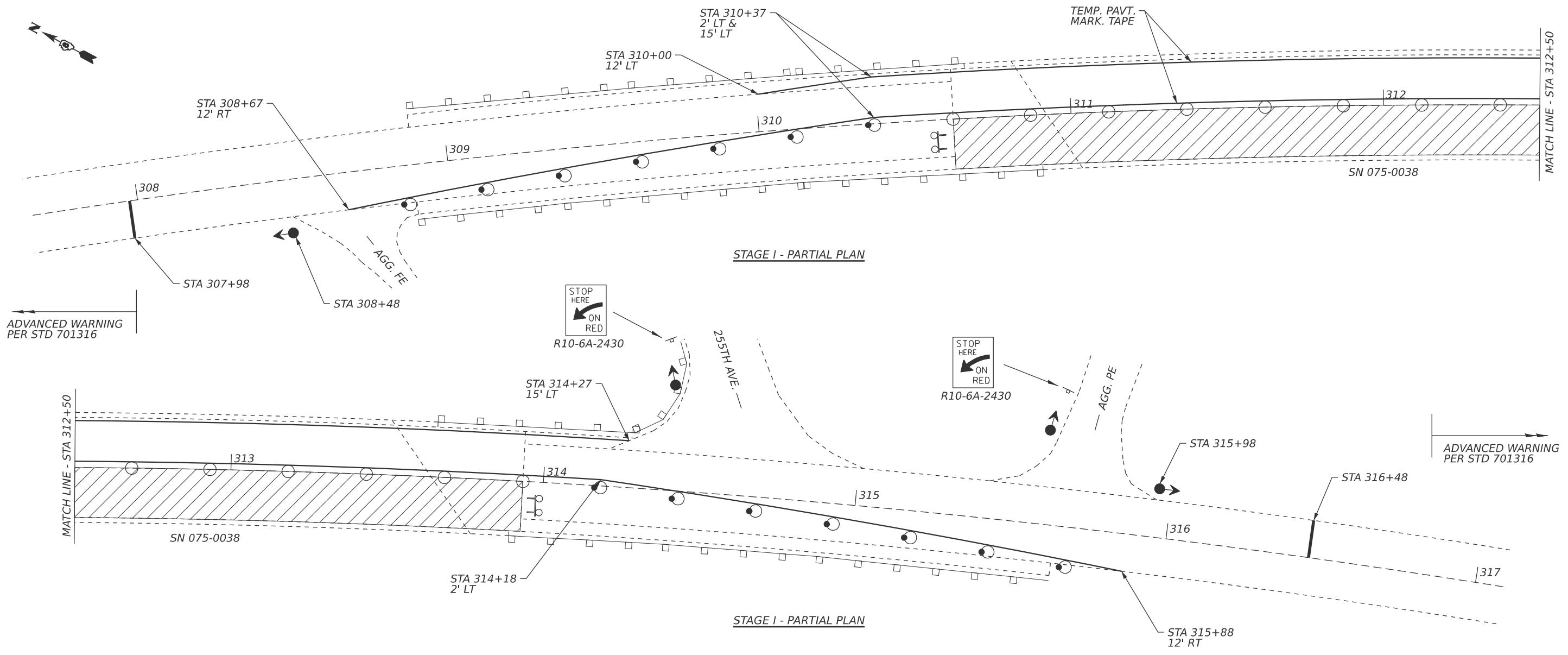
USER NAME = brandon.dudley	DESIGNED -	REVISED -
	DRAWN -	REVISED -
	CHECKED -	REVISED -
PLOT DATE = 9/24/2024	DATE -	REVISED -

**STATE OF ILLINOIS
 DEPARTMENT OF TRANSPORTATION**






ROADWAY PLAN

SCALE: SHEET 6 OF 3 SHEETS STA. TO STA.

F.A.P. RTE.	SECTION	COUNTY	TOTAL SHEETS	SHEET NO.
304	(2BR)BDR,BJR	PIKE	11	6
CONTRACT NO. 72747			ILLINOIS FED. AID PROJECT	



SYMBOLS

-  WORK AREA
-  DRUM WITH STEADY BURN BI-DIRECTIONAL LIGHT
-  DRUM
-  TRAFFIC SIGNAL
-  TYPE III BARRICADE WITH FLASHING LIGHTS

TRAFFIC CONTROL NOTES:

- Traffic control devices not shown in this detail shall be per standard 701316. Devices and temporary pavement markings shown in this detail shall be included in the cost of TRAFFIC CONTROL AND PROTECTION, STANDARD 701316. Temporary rumble strips and temporary traffic signals shall be paid separately.
- Additional traffic signals and R10-6A-2430 signs shall be provided at 255th Ave. and the private entrance at STA 315±70, cost included in the bid price for TEMPORARY BRIDGE TRAFFIC SIGNALS.

MODEL: ic-1 [Sheet]
FILE NAME: c:\p\work\pwr\ic\du\dudley\m\1006933\0512747_PlanSheet.dgn

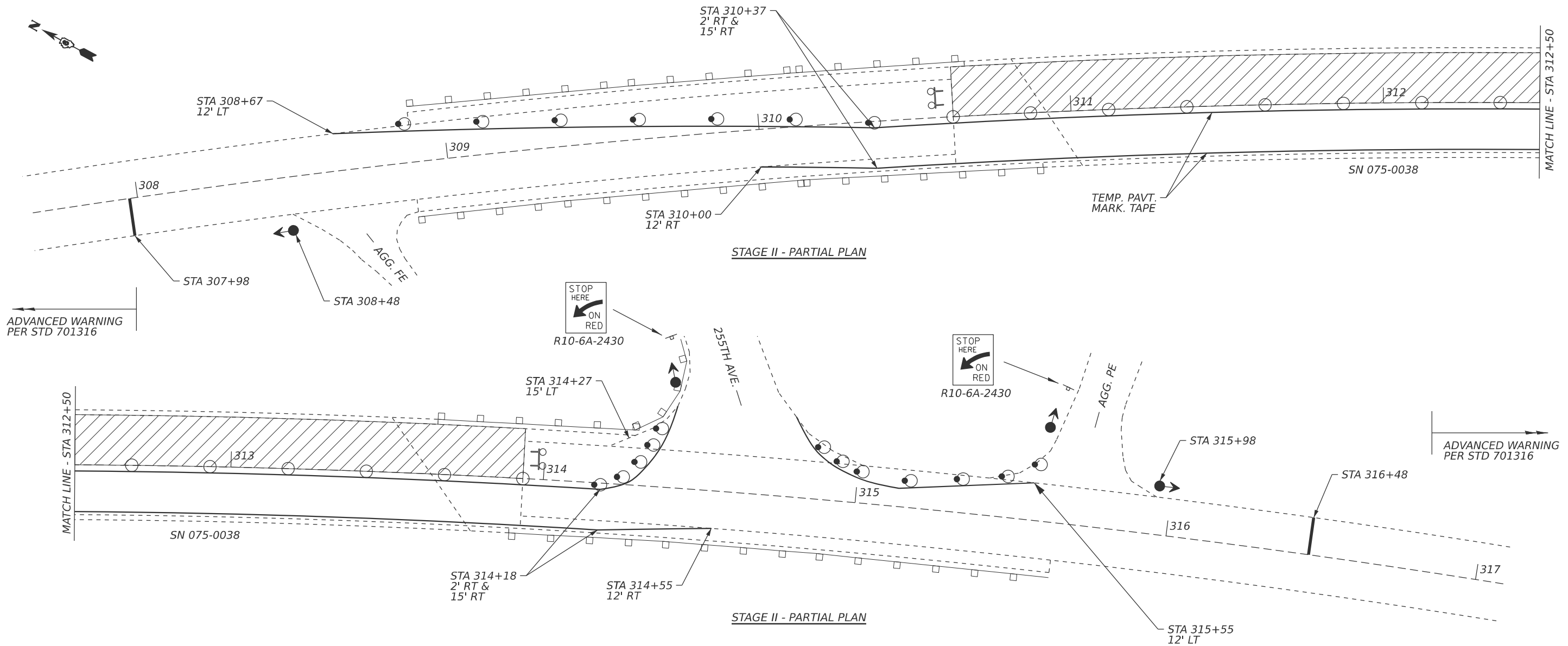
USER NAME = brandon.dudley	DESIGNED -	REVISED -
	DRAWN -	REVISED -
	CHECKED -	REVISED -
PLOT DATE = 9/24/2024	DATE -	REVISED -

**STATE OF ILLINOIS
DEPARTMENT OF TRANSPORTATION**






STAGE I TRAFFIC CONTROL PLAN

SCALE: SHEET 7 OF 3 SHEETS STA. TO STA.

F.A.P. RTE.	SECTION	COUNTY	TOTAL SHEETS	SHEET NO.
304	(2BR)BDR,BJR	PIKE	11	7
CONTRACT NO. 72747				
ILLINOIS FED. AID PROJECT				



SYMBOLS

-  WORK AREA
-  DRUM WITH STEADY BURN BI-DIRECTIONAL LIGHT
-  DRUM
-  TRAFFIC SIGNAL
-  TYPE III BARRICADE WITH FLASHING LIGHTS

TRAFFIC CONTROL NOTES:

1. Traffic control devices not shown in this detail shall be per standard 701316. Devices and temporary pavement markings shown in this detail shall be included in the cost of TRAFFIC CONTROL AND PROTECTION, STANDARD 701316. Temporary rumble strips and temporary traffic signals shall be paid separately.
2. Additional traffic signals and R10-6A-2430 signs shall be provided at 255th Ave. and the private entrance at STA 315±70, cost included in the bid price for TEMPORARY BRIDGE TRAFFIC SIGNALS.

MODEL: ic-2 (Sheet)
FILE NAME: c:\p\work\pav\ic-2\plan\006933\05172747_PlanSheet.dgn

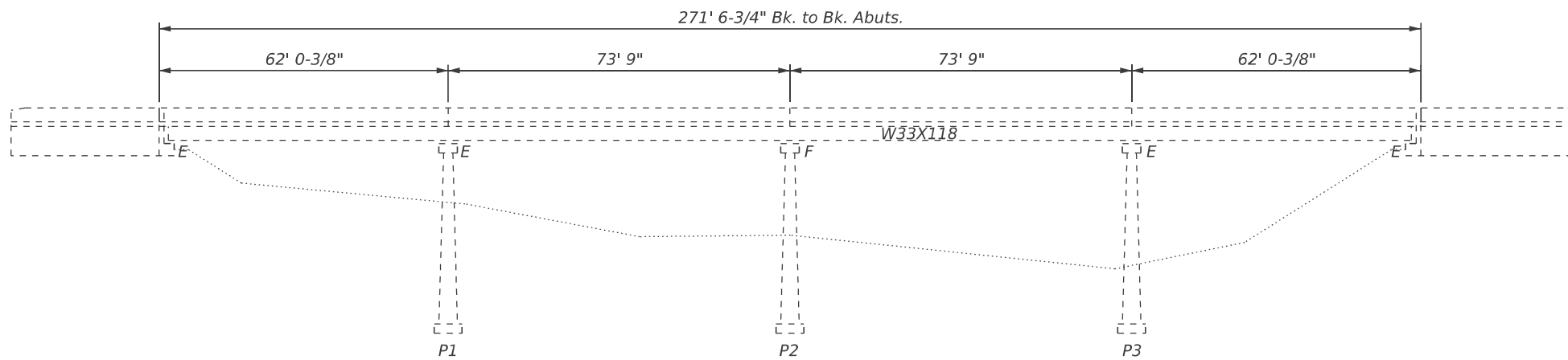
USER NAME = brandon.dudley	DESIGNED -	REVISED -
	DRAWN -	REVISED -
	CHECKED -	REVISED -
PLOT DATE = 9/24/2024	DATE -	REVISED -

**STATE OF ILLINOIS
DEPARTMENT OF TRANSPORTATION**

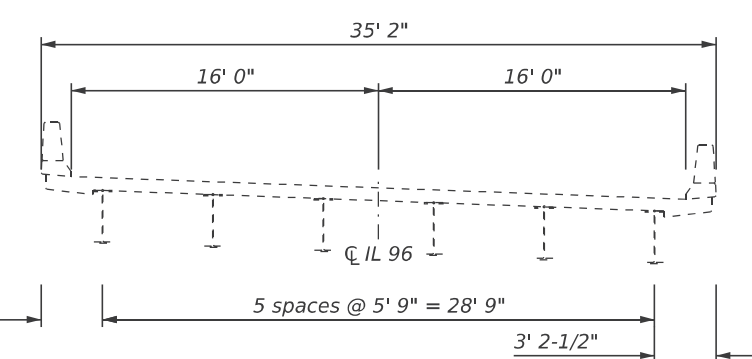
STAGE II TRAFFIC CONTROL PLAN

SCALE: SHEET 8 OF 3 SHEETS STA. TO STA.

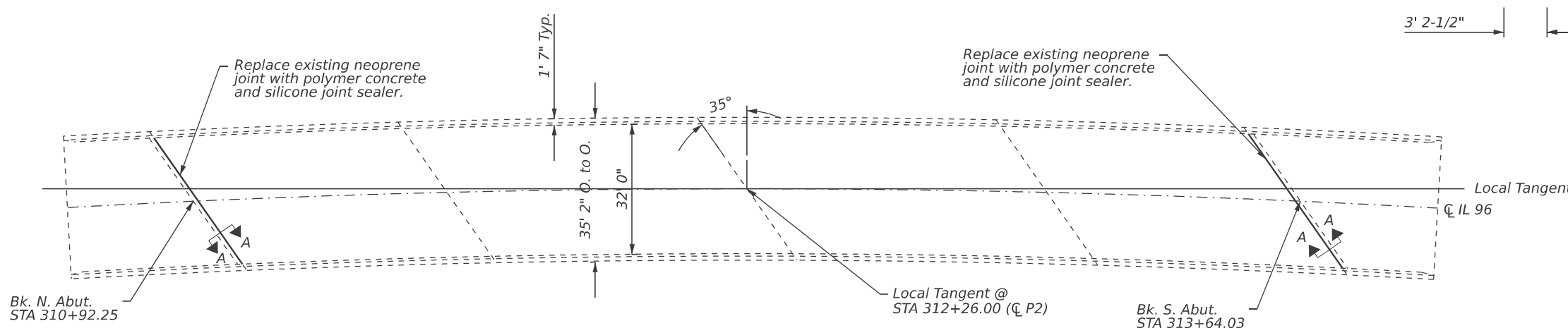
F.A.P. RTE.	SECTION	COUNTY	TOTAL SHEETS	SHEET NO.
304	(2BR)BDR,BJR	PIKE	11	8
CONTRACT NO. 72747				
ILLINOIS FED. AID PROJECT				



ELEVATION



CROSS SECTION
(Looking South)



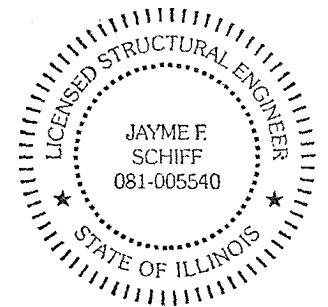
PLAN

GENERAL NOTES

Prior to pouring the new concrete deck, all heavy or loose rust, loose mill scale, and other loose or potentially detrimental foreign material shall be removed from the surfaces in contact with concrete. Tightly adhered paint may remain unless otherwise noted. Removal shall be accomplished by methods that will not damage the steel and the cost will be included in the pay item covering removal of the existing concrete.

Plan dimensions and details relative to the existing structure have been taken from existing plans and are subject to nominal construction variations. The Contractor shall field verify existing dimensions and details affecting new construction and make necessary approved adjustments prior to construction or ordering of materials. Such variations shall not be cause for additional compensation for a change in scope of the work, however, the Contractor will be paid for the quantity actually furnished at the unit price bid for the work.

Areas of deck repairs shown are estimated. The Engineer shall show actual locations of deck repairs on As-built Plans.



EXPIRES 11-30-2026

Jayme F. Schiff

TOTAL BILL OF MATERIAL

ITEM	UNIT	QUANTITY
Concrete Removal	Cu. Yd.	0.1
Polymer Concrete	Cu. Ft.	14
Silicone Joint Sealer, 2"	Foot	82
Deck Slab Repair (Partial)	Sq. Yd.	127
* Deck Slab Repair (Full Depth, Type I)	Sq. Yd.	5
Approach Slab Repair (Partial Depth)	Sq. Yd.	13
Joint Sealing (Patches)	Foot	1800
Protective Coat	Sq. Yd.	145

* Quantity is estimated. Location and size of patches to be determined in the field by the Engineer.

MODEL: bridge-1 (Sheet)
FILE NAME: c:\p\work\brandon.dudley\mtd1006933\0512747_PlanSheet.dgn

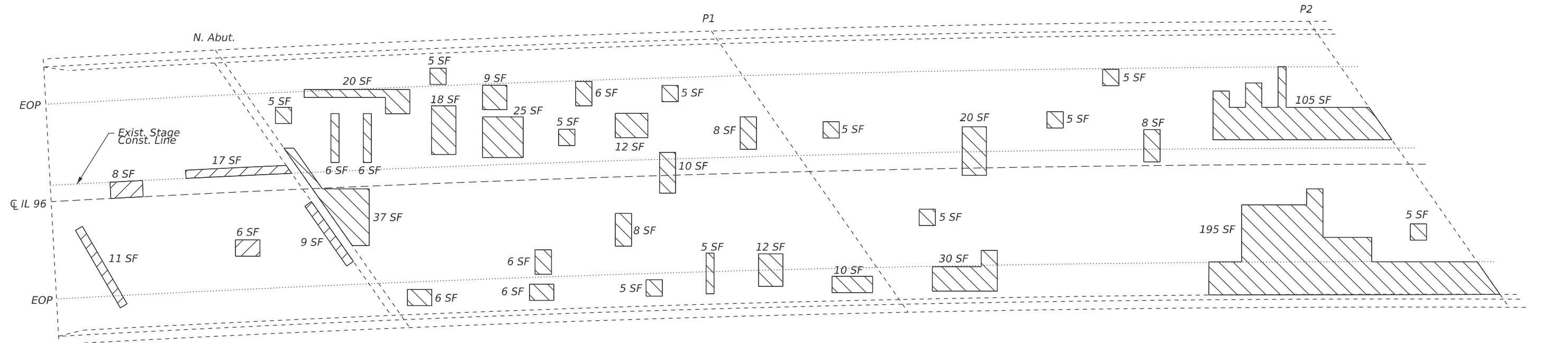
USER NAME = brandon.dudley	DESIGNED - BRANDON DUDLEY	REVISED -
	DRAWN - BRANDON DUDLEY	REVISED -
	CHECKED -	REVISED -
PLOT DATE = 9/4/2024	DATE -	REVISED -

STATE OF ILLINOIS
DEPARTMENT OF TRANSPORTATION

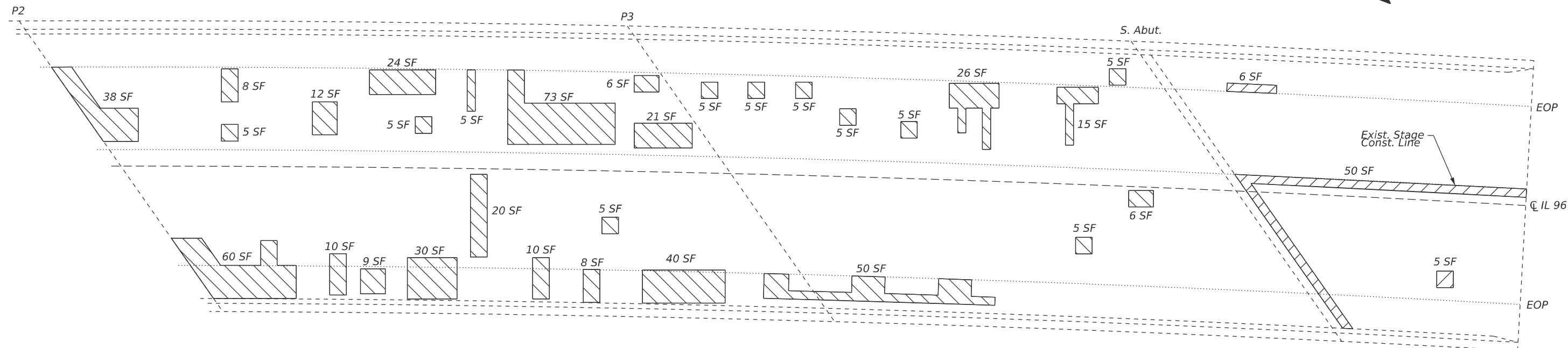
BRIDGE PLAN & ELEVATION
SN 075-0038

SCALE: SHEET OF 3 SHEETS STA. TO STA.

F.A.P. RTE.	SECTION	COUNTY	TOTAL SHEETS	SHEET NO.
304	(2BR)BDR,BJR	PIKE	11	9
CONTRACT NO. 72747			ILLINOIS FED. AID PROJECT	



PARTIAL PLAN



PARTIAL PLAN

- Approach Slab Repair (Partial Depth)
- Deck Slab Repair (Partial)

Identified patching locations are estimated from a deck survey performed on 3/27/2024. The patching survey is included for information only. The engineer shall lay out actual patch locations in the field.

The engineer shall show actual locations of deck repairs on as-built plans.

Full depth patches shall be covered with steel plates during non-work hours.

JOINT SEALING (PATCHES) shall be applied in locations as directed in the special provisions, along the entire length of any existing stage construction joints, and along the construction joints between the abutment and approaches.

SLAB REPAIR BILL OF MATERIAL

ITEM	UNIT	QUANTITY
Deck Slab Repair (Partial)	Sq. Yd.	127
* Deck Slab Repair (Full Depth, Type I)	Sq. Yd.	5
Approach Slab Repair (Partial Depth)	Sq. Yd.	13
Joint Sealing (Patches)	Foot	1800
Protective Coat	Sq. Yd.	145

* Quantity is estimated. Location and size of patches to be determined in the field by the Engineer.

MODEL: bridge-2 (Sheet)
FILE NAME: c:\p\work\bridge\duddley\mtd1006933\0512747_PlanSheet.dgn

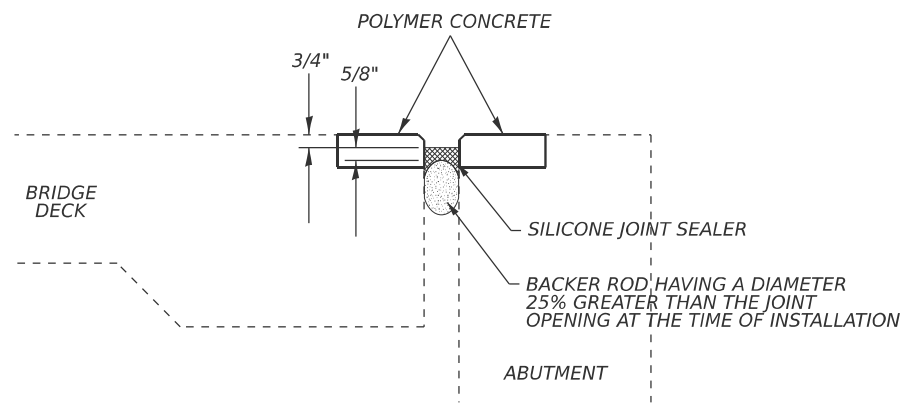
USER NAME = brandon.dudley	DESIGNED -	REVISED -
	DRAWN -	REVISED -
	CHECKED -	REVISED -
PLOT DATE = 9/24/2024	DATE -	REVISED -

**STATE OF ILLINOIS
DEPARTMENT OF TRANSPORTATION**

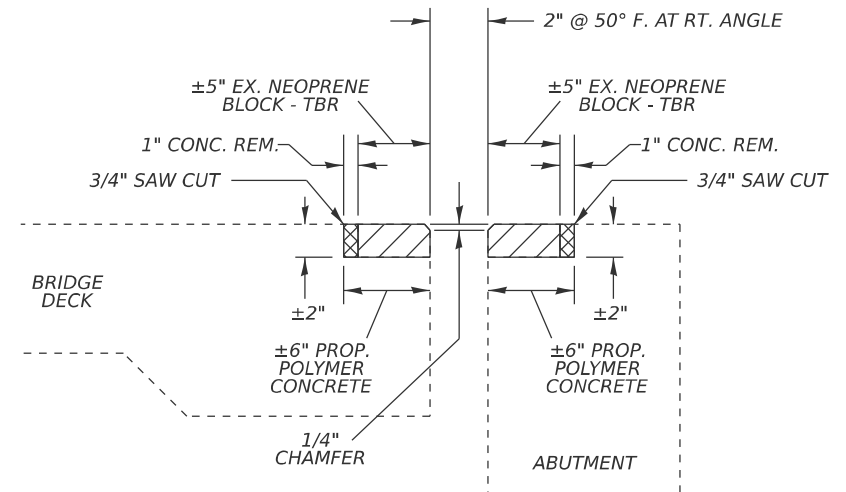
**SLAB REPAIR PLAN
SN 075-0038**

SCALE: SHEET OF 3 SHEETS STA. TO STA.

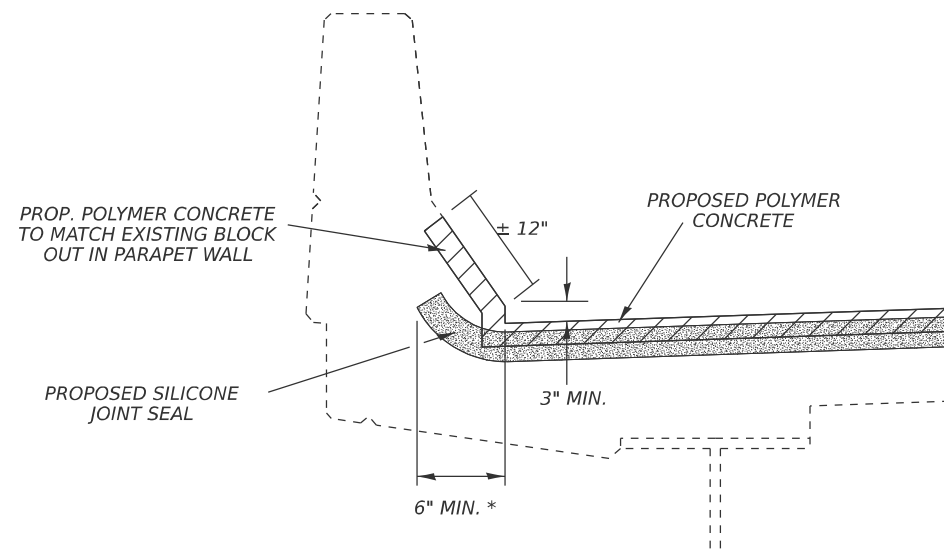
F.A.P. RTE.	SECTION	COUNTY	TOTAL SHEETS	SHEET NO.
304	(2BR)BDR,BJR	PIKE	11	10
CONTRACT NO. 72747				
ILLINOIS FED. AID PROJECT				



SECTION A-A:
SILICONE JOINT SEALER DETAIL



SECTION A-A
PROPOSED POLYMER CONCRETE
CROSS SECTION



TYPICAL PARAPET CROSS SECTION:
JOINT SEALER END TREATMENT

NOTES:

- 1/4" CHAMFER MAY BE ACHIEVED BY GRINDING AFTER POLYMER CONCRETE HAS CURED.
- REMOVAL OF EXISTING NEOPRENE EXPANSION JOINTS SHALL BE INCLUDED IN THE COST OF CONCRETE REMOVAL.
- ANY STEEL ANCHORING STUDS ENCOUNTERED IN THE NEOPRENE JOINT REMOVAL AREA SHALL BE CUT OFF FLUSH WITH THE EXISTING CONCRETE, COST TO BE INCLUDED IN THE BID PRICE FOR CONCRETE REMOVAL.

JOINT REPAIR BILL OF MATERIAL

ITEM	UNIT	QUANTITY
Polymer Concrete	Cu. Ft.	14
Silicone Joint Sealer, 2"	Foot	82
Concrete Removal	Cu. Yd.	0.1

MODEL: bridge-3 (Sheet)
FILE NAME: c:\p\work\project\dudley\mtd1006933\0512747_PlanSheet.dgn

USER NAME = brandon.dudley	DESIGNED -	REVISED -
	DRAWN -	REVISED -
	CHECKED -	REVISED -
PLOT DATE = 9/24/2024	DATE -	REVISED -

STATE OF ILLINOIS
DEPARTMENT OF TRANSPORTATION

JOINT REPAIR DETAILS
SN 075-0038

SCALE: SHEET OF 3 SHEETS STA. TO STA.

F.A.P. RTE.	SECTION	COUNTY	TOTAL SHEETS	SHEET NO.
304	(2BR)BDR,BJR	PIKE	11	11
CONTRACT NO. 72747			ILLINOIS FED. AID PROJECT	