

# 118

Letting January 17, 2025

## Notice to Bidders, Specifications and Proposal



**Contract No. 97789  
MADISON County  
Section 19-00032-02-SW (Godfrey)  
Route FAU 8953 (Pearl Street)  
Project M2EH-908 ()  
District 8 Construction Funds**

Prepared by	
Checked by	F

(Printed by authority of the State of Illinois)



- 1. TIME AND PLACE OF OPENING BIDS.** Electronic bids are to be submitted to the electronic bidding system (iCX-Integrated Contractors Exchange). All bids must be submitted to the iCX system prior to 12:00 p.m. January 17, 2025 at which time the bids will be publicly opened from the iCX SecureVault.
- 2. DESCRIPTION OF WORK.** The proposed improvement is identified and advertised for bids in the Invitation for Bids as:

**Contract No. 97789  
MADISON County  
Section 19-00032-02-SW (Godfrey)  
Project M2EH-908 ()  
Route FAU 8953 (Pearl Street)  
District 8 Construction Funds**

**Sidewalk construction along Pearl Street and a new pedestrian crossing at the Union Pacific and Kansas City Southern Railroads in Godfrey.**

- 3. INSTRUCTIONS TO BIDDERS.** (a) This Notice, the invitation for bids, proposal and letter of award shall, together with all other documents in accordance with Article 101.09 of the Standard Specifications for Road and Bridge Construction, become part of the contract. Bidders are cautioned to read and examine carefully all documents, to make all required inspections, and to inquire or seek explanation of the same prior to submission of a bid.  
  
(b) State law, and, if the work is to be paid wholly or in part with Federal-aid funds, Federal law requires the bidder to make various certifications as a part of the proposal and contract. By execution and submission of the proposal, the bidder makes the certification contained therein. A false or fraudulent certification shall, in addition to all other remedies provided by law, be a breach of contract and may result in termination of the contract.
- 4. AWARD CRITERIA AND REJECTION OF BIDS.** This contract will be awarded to the lowest responsive and responsible bidder considering conformity with the terms and conditions established by the Department in the rules, Invitation for Bids and contract documents. The issuance of plans and proposal forms for bidding based upon a prequalification rating shall not be the sole determinant of responsibility. The Department reserves the right to determine responsibility at the time of award, to reject any or all proposals, to re-advertise the proposed improvement, and to waive technicalities.

By Order of the  
Illinois Department of Transportation

Omer Osman,  
Secretary

INDEX  
FOR  
SUPPLEMENTAL SPECIFICATIONS  
AND RECURRING SPECIAL PROVISIONS

Adopted January 1, 2025

This index contains a listing of SUPPLEMENTAL SPECIFICATIONS, frequently used RECURRING SPECIAL PROVISIONS, and LOCAL ROADS AND STREETS RECURRING SPECIAL PROVISIONS.

ERRATA Standard Specifications for Road and Bridge Construction (Adopted 1-1-22) (Revised 1-1-25)

SUPPLEMENTAL SPECIFICATIONS

<u>Std. Spec. Sec.</u>		<u>Page No.</u>
202	Earth and Rock Excavation .....	1
204	Borrow and Furnished Excavation.....	2
207	Porous Granular Embankment .....	3
211	Topsoil and Compost .....	4
406	Hot-Mix Asphalt Binder and Surface Course .....	5
407	Hot-Mix Asphalt Pavement (Full-Depth) .....	7
420	Portland Cement Concrete Pavement .....	8
502	Excavation for Structures .....	9
509	Metal Railings .....	10
540	Box Culverts .....	11
542	Pipe Culverts .....	31
550	Storm Sewers .....	40
586	Granular Backfill for Structures .....	47
630	Steel Plate Beam Guardrail .....	48
632	Guardrail and Cable Road Guard Removal .....	49
644	High Tension Cable Median Barrier .....	50
665	Woven Wire Fence .....	51
701	Work Zone Traffic Control and Protection .....	52
781	Raised Reflective Pavement Markers .....	54
782	Reflectors .....	55
801	Electrical Requirements .....	57
821	Roadway Luminaires .....	60
1003	Fine Aggregates .....	61
1004	Coarse Aggregates .....	62
1010	Finely Divided Minerals .....	63
1020	Portland Cement Concrete .....	64
1030	Hot-Mix Asphalt .....	67
1040	Drain Pipe, Tile, and Wall Drain .....	68
1061	Waterproofing Membrane System .....	69
1067	Luminaire .....	70
1097	Reflectors .....	77
1102	Hot-Mix Asphalt Equipment .....	78

RECURRING SPECIAL PROVISIONS

The following RECURRING SPECIAL PROVISIONS indicated by an "X" are applicable to this contract and are included by reference:

<u>CHECK SHEET #</u>		<u>PAGE NO.</u>
1	<input checked="" type="checkbox"/> Additional State Requirements for Federal-Aid Construction Contracts .....	79
2	<input checked="" type="checkbox"/> Subletting of Contracts (Federal-Aid Contracts) .....	82
3	<input checked="" type="checkbox"/> EEO .....	83
4	<input type="checkbox"/> Specific EEO Responsibilities Non Federal-Aid Contracts .....	93
5	<input type="checkbox"/> Required Provisions - State Contracts .....	98
6	<input type="checkbox"/> Asbestos Bearing Pad Removal .....	104
7	<input type="checkbox"/> Asbestos Waterproofing Membrane and Asbestos HMA Surface Removal .....	105
8	<input type="checkbox"/> Temporary Stream Crossings and In-Stream Work Pads .....	106
9	<input checked="" type="checkbox"/> Construction Layout Stakes .....	107
10	<input type="checkbox"/> Use of Geotextile Fabric for Railroad Crossing .....	110
11	<input type="checkbox"/> Subsealing of Concrete Pavements .....	112
12	<input type="checkbox"/> Hot-Mix Asphalt Surface Correction .....	116
13	<input type="checkbox"/> Pavement and Shoulder Resurfacing .....	118
14	<input type="checkbox"/> Patching with Hot-Mix Asphalt Overlay Removal .....	119
15	<input type="checkbox"/> Polymer Concrete .....	121
16	<b>Reserved</b> .....	123
17	<input type="checkbox"/> Bicycle Racks .....	124
18	<input type="checkbox"/> Temporary Portable Bridge Traffic Signals .....	126
19	<input type="checkbox"/> Nighttime Inspection of Roadway Lighting .....	128
20	<input type="checkbox"/> English Substitution of Metric Bolts .....	129
21	<input type="checkbox"/> Calcium Chloride Accelerator for Portland Cement Concrete .....	130
22	<input type="checkbox"/> Quality Control of Concrete Mixtures at the Plant .....	131
23	<input type="checkbox"/> Quality Control/Quality Assurance of Concrete Mixtures .....	139
24	<b>Reserved</b> .....	155
25	<b>Reserved</b> .....	156
26	<input type="checkbox"/> Temporary Raised Pavement Markers .....	157
27	<input type="checkbox"/> Restoring Bridge Approach Pavements Using High-Density Foam .....	158
28	<input type="checkbox"/> Portland Cement Concrete Inlay or Overlay .....	161
29	<input type="checkbox"/> Portland Cement Concrete Partial Depth Hot-Mix Asphalt Patching .....	165
30	<input type="checkbox"/> Longitudinal Joint and Crack Patching .....	168
31	<input type="checkbox"/> Concrete Mix Design – Department Provided .....	170
32	<input type="checkbox"/> Station Numbers in Pavements or Overlays .....	171



LOCAL ROADS AND STREETS RECURRING SPECIAL PROVISIONS

Table of Contents

<u>CHECK SHEET #</u>		<u>PAGE NO.</u>
LRS 1	<b>Reserved</b> .....	173
LRS 2	<input type="checkbox"/> Furnished Excavation .....	174
LRS 3	<input checked="" type="checkbox"/> Work Zone Traffic Control Surveillance .....	175
LRS 4	<input type="checkbox"/> Flaggers in Work Zones .....	176
LRS 5	<input type="checkbox"/> Contract Claims .....	177
LRS 6	<input type="checkbox"/> Bidding Requirements and Conditions for Contract Proposals .....	178
LRS 7	<input type="checkbox"/> Bidding Requirements and Conditions for Material Proposals .....	184
LRS 8	<b>Reserved</b> .....	190
LRS 9	<input type="checkbox"/> Bituminous Surface Treatments .....	191
LRS 10	<b>Reserved</b> .....	195
LRS 11	<input type="checkbox"/> Employment Practices .....	196
LRS 12	<input type="checkbox"/> Wages of Employees on Public Works .....	198
LRS 13	<input type="checkbox"/> Selection of Labor .....	200
LRS 14	<input type="checkbox"/> Paving Brick and Concrete Paver Pavements and Sidewalks .....	201
LRS 15	<input type="checkbox"/> Partial Payments .....	204
LRS 16	<input type="checkbox"/> Protests on Local Lettings .....	205
LRS 17	<input type="checkbox"/> Substance Abuse Prevention Program .....	206
LRS 18	<input type="checkbox"/> Multigrade Cold Mix Asphalt .....	207
LRS 19	<input type="checkbox"/> Reflective Crack Control Treatment .....	208

F.A.U. 8953  
Pearl Street  
Section 19-0032-02-SW  
Contract #97789  
Sidewalk and Pedestrian  
Crossing Addition  
Godfrey, Illinois

**CONTRACT SPECIAL PROVISIONS**  
**TABLE OF CONTENTS**

**LOCATION OF PROJECT:** ..... 1  
**DESCRIPTION OF WORK:**..... 1  
**MAINTENANCE OF ROADWAYS** ..... 1  
**STATUS OF UTILITIES TO BE ADJUSTED:** ..... 2  
**SUBMITTAL OF EEO/LABOR DOCUMENTATION** ..... 3  
**TRAFFIC CONTROL AND PROTECTION (SPECIAL)**..... 5  
**LR 107-4 INSURANCE**..... 7  
**APPENDIX A – RAILROAD AGREEMENT AND CONTRACTOR RIGHT OF ENTRY**  
**FORMS** ..... 8

## BDE SPECIAL PROVISIONS

The following special provisions indicated by an "X" are applicable to this contract. An \* indicates a new or revised special provision for the letting.

<u>File Name</u>	<u>Pg.</u>	<u>Special Provision Title</u>	<u>Effective</u>	<u>Revised</u>
80099		<input type="checkbox"/> Accessible Pedestrian Signals (APS)	April 1, 2003	Jan. 1, 2022
80274		<input type="checkbox"/> Aggregate Subgrade Improvement	April 1, 2012	April 1, 2022
80192		<input type="checkbox"/> Automated Flagger Assistance Device	Jan. 1, 2008	April 1, 2023
80173		<input type="checkbox"/> Bituminous Materials Cost Adjustments	Nov. 2, 2006	Aug. 1, 2017
80426		<input type="checkbox"/> Bituminous Surface Treatment with Fog Seal	Jan. 1, 2020	Jan. 1, 2022
80241		<input type="checkbox"/> Bridge Demolition Debris	July 1, 2009	
50531		<input type="checkbox"/> Building Removal	Sept. 1, 1990	Aug. 1, 2022
50261		<input type="checkbox"/> Building Removal with Asbestos Abatement	Sept. 1, 1990	Aug. 1, 2022
* 80460	90	<input checked="" type="checkbox"/> Cement, Finely Divided Minerals, Admixtures, Concrete, and Mortar	Jan. 1, 2025	
80384	101	<input checked="" type="checkbox"/> Compensable Delay Costs	June 2, 2017	April 1, 2019
80198		<input type="checkbox"/> Completion Date (via calendar days)	April 1, 2008	
80199		<input type="checkbox"/> Completion Date (via calendar days) Plus Working Days	April 1, 2008	
* 80461		<input type="checkbox"/> Concrete Barrier	Jan. 1, 2025	
80453		<input type="checkbox"/> Concrete Sealer	Nov. 1, 2023	
* 80261	105	<input checked="" type="checkbox"/> Construction Air Quality – Diesel Retrofit	June 1, 2010	Jan. 1, 2025
* 80029	107	<input checked="" type="checkbox"/> Disadvantaged Business Enterprise Participation	Sept. 1, 2000	Jan. 2, 2025
80229		<input type="checkbox"/> Fuel Cost Adjustment	April 1, 2009	Aug. 1, 2017
80452		<input type="checkbox"/> Full Lane Sealant Waterproofing System	Nov. 1, 2023	
80447		<input type="checkbox"/> Grading and Shaping Ditches	Jan 1, 2023	
80433		<input type="checkbox"/> Green Preformed Thermoplastic Pavement Markings	Jan. 1, 2021	Jan. 1, 2022
* 80456		<input type="checkbox"/> Hot-Mix Asphalt	Jan. 1, 2024	Jan. 1, 2025
80446		<input type="checkbox"/> Hot-Mix Asphalt – Longitudinal Joint Sealant	Nov. 1, 2022	Aug. 1, 2023
80438		<input type="checkbox"/> Illinois Works Apprenticeship Initiative – State Funded Contracts	June 2, 2021	April 2, 2024
80450		<input type="checkbox"/> Mechanically Stabilized Earth Retaining Walls	Aug. 1, 2023	
80441		<input type="checkbox"/> Performance Graded Asphalt Binder	Jan 1, 2023	
80459		<input type="checkbox"/> Preformed Plastic Pavement Marking	June 2, 2024	
34261	110	<input checked="" type="checkbox"/> Railroad Protective Liability Insurance	Dec. 1, 1986	Jan. 1, 2022
80455	111	<input checked="" type="checkbox"/> Removal and Disposal of Regulated Substances	Jan. 1, 2024	April 1, 2024
80445		<input type="checkbox"/> Seeding	Nov. 1, 2022	
80457		<input type="checkbox"/> Short Term and Temporary Pavement Markings	April 1, 2024	April 2, 2024
* 80462		<input type="checkbox"/> Sign Panels and Appurtenances	Jan. 1, 2025	
80448	113	<input checked="" type="checkbox"/> Source of Supply and Quality Requirements	Jan. 2, 2023	
80340		<input type="checkbox"/> Speed Display Trailer	April 2, 2014	Jan. 1, 2022
80127		<input type="checkbox"/> Steel Cost Adjustment	April 2, 2004	Jan. 1, 2022
80397	114	<input checked="" type="checkbox"/> Subcontractor and DBE Payment Reporting	April 2, 2018	
80391	115	<input checked="" type="checkbox"/> Subcontractor Mobilization Payments	Nov. 2, 2017	April 1, 2019
* 80463	116	<input checked="" type="checkbox"/> Submission of Bidders List Information	Jan. 2, 2025	
80437	117	<input checked="" type="checkbox"/> Submission of Payroll Records	April 1, 2021	Nov. 2, 2023
80435		<input type="checkbox"/> Surface Testing of Pavements – IRI	Jan. 1, 2021	Jan. 1, 2023
20338		<input type="checkbox"/> Training Special Provisions	Oct. 15, 1975	Sept. 2, 2021
80429		<input type="checkbox"/> Ultra-Thin Bonded Wearing Course	April 1, 2020	Jan. 1, 2022
80439	119	<input checked="" type="checkbox"/> Vehicle and Equipment Warning Lights	Nov. 1, 2021	Nov. 1, 2022
80458		<input type="checkbox"/> Waterproofing Membrane System	Aug. 1, 2024	
* 80302	120	<input checked="" type="checkbox"/> Weekly DBE Trucking Reports	June 2, 2012	Jan. 2, 2025
80454		<input type="checkbox"/> Wood Sign Support	Nov. 1, 2023	
* 80427	121	<input checked="" type="checkbox"/> Work Zone Traffic Control Devices	Mar. 2, 2020	Jan. 1, 2025
80071	123	<input checked="" type="checkbox"/> Working Days	Jan. 1, 2002	

F.A.U. 8953  
Pearl Street  
Section 19-0032-02-SW  
Contract #97789  
Sidewalk and Pedestrian  
Crossing Addition  
Godfrey, Illinois

**SPECIAL PROVISIONS  
FOR  
ROADWAY CONSTRUCTION**

The following Special Provisions supplement the current "Standard Specifications for Road and Bridge Construction" adopted January 1, 2022; the latest edition of the "Illinois Manual on Uniform Traffic Control Devices for Streets and Highways", and the "Manual of Test Procedures for Materials" in effect on the date of invitation for bids, and the Supplemental Specifications and Recurring Special Provisions indicated on the Check Sheet included herein which apply to and govern the construction of the Pearl Street Sidewalk and Pedestrian Crossing Addition, located in Godfrey, Illinois, and in case of conflict with any part or parts of said Specifications, the said Special Provisions shall take precedence and govern.

**LOCATION OF PROJECT:**

The improvement is located on Pearl Street starting from just west of Lake Dr to just west of Isabel Dr.

Project is located in the Village of Godfrey, Madison County, Illinois  
T6N, R10W, of the 3<sup>rd</sup> P.M.  
Latitude: 38°57'28.50" N  
Longitude: 90°11'11.00" W

**DESCRIPTION OF WORK:**

The work will consist of installation of sidewalk on Pearl St just west of Lake Dr to just west of Isabel Dr, and installation of an escape pad area at the grade crossing. Also included in this project, but to be performed by others, is the installation of pedestrian gates, extension of UP and KCS crossing surface, and adjustment of fencing. The "Agreement for Railway-Highway Grade Crossing Improvements" and "Addendum to the Agreement for Railway-Highway Grade Crossing Improvements", which are included in Appendix A, describe the work that is to be performed by the Railroad.

**MAINTENANCE OF ROADWAYS**

Beginning on the date that work begins on this project, the Contractor shall assume responsibility for normal maintenance of all existing roadways within the limits of the improvement. This normal maintenance shall include all repair work deemed necessary by the Engineer, but shall not include snow removal operations. Traffic control and protection for maintenance of roadways will be provided by the Contractor as required by the Engineer.

**STATUS OF UTILITIES TO BE ADJUSTED:**

(Effective January 1, 2007; Revised January 24, 2011)

Name & Address of Utility	Type	Location	Estimated Date Relocation Complete
AT&T Kevin Urbanek OSP- Design Engineer ATO, Midwest C&E 160 W Division St, Maryville, IL 62062 618.346.6426 ku1285@att.com	overhead telephone	No conflict at this time.	Not applicable.
Charter Communications Larry Saafir	overhead cable	No conflict at this time.	Not applicable.
Village of Godfrey Rich Beran Village Engineer 618.466.4319 rberan@godfreyil.org	Storm sewer	Manhole to be adjusted STA 23+23.25	To be done during construction.
City of Brighton Craig Noble 217.828.2018 craig.noble@amwater.com	Potable water	No conflict.	Not applicable.
Consolidated Communications Wes Chambers 217-235-3355 Wes.Chambers@consolidated.co m	Fiber optic	No conflict at this time.	Not applicable.
IL-American Water – Alton Cheryl Johnson 618-466-2131x3	Potable water, sanitary sewer	No conflict at this time.	Currently coordinating with IL American Water.
Ameren IP South Gas John Westerheide T 618-346-1245 C 618-407-0483 JWesterheide@ameren.com	Underground gasoline	No conflict at this time.	Not applicable.
Ameren IP South Electric John Westerheide T 618-346-1245 C 618-407-0483 JWesterheide@ameren.com	overhead electric	No conflict at this time.	Currently coordinating with Ameren.
Level 3 Communications 877-366-8344x2 NationalRelo@centurylink.com	Fiber optic	No conflict at this time.	Not applicable.

F.A.U. 8953  
 Pearl Street  
 Section 19-0032-02-SW  
 Contract #97789  
 Sidewalk and Pedestrian  
 Crossing Addition  
 Godfrey, Illinois

Sprint 708-955-6659 James.burton@erisson.com	Fiber optic	No conflict at this time.	Not applicable.
Zayo/FNA 360 Networks Henry Klobucar 406-496-6510 Henry.klobucar@zayo.com	Fiber optic	No conflict at this time.	Not applicable.

The above represents the best information of the Village Engineering Department and is only included for the convenience of the bidder. The applicable provisions of Section 102 and Articles 105.07, 107.20, 107.37, 107.38, 107.39, 107.40, and 108.02 of the Standard Specifications for Road and Bridge Construction shall apply.

The estimated utility relocation dates should be part of the progress schedule submitted by the Contractor.

Designer Note: Consult Project Support Engineer to verify status of adjustments prior to submitting PS&E.

**SUBMITTAL OF EEO/LABOR DOCUMENTATION**

Effective: April 2016

This work shall be done in accordance with Check Sheets No. 1, 2 and 3 of the IDOT Supplemental Specifications and Recurring Special Provisions and the "Weekly DBE Trucking Reports (BDE)" Special Provision, except as here-in modified.

**PAYROLL AND STATEMENT OF COMPLIANCE:**

Certified payroll, (FORM SBE 48 OR AN APPROVED FACSIMILE) and the Statement of Compliance, (FORM SBE 348) shall be submitted by two methods:

1. By Mail (United States Postal Service): The ORIGINAL of the certified payroll and the Statement of Compliance for the Prime Contractor and each Subcontractor shall be submitted by mail to the Regional Engineer for District 8.
2. Electronically: Scan both the ORIGINAL of the certified payroll and the Statement of Compliance to the same PDF file and email to the District at the email address designated by the District EEO Officer.

SBE 48 and SBE 348 forms shall be submitted weekly and will be considered late if received after midnight seven (7) business days after the payroll ending date.

**WEEKLY DBE TRUCKING REPORT:**

F.A.U. 8953  
Pearl Street  
Section 19-0032-02-SW  
Contract #97789  
Sidewalk and Pedestrian  
Crossing Addition  
Godfrey, Illinois

The Weekly DBE Trucking Report, (FORM SBE 723) shall be submitted electronically. Scan the form to a PDF file and email to the District at the email address designated by the District EEO Officer.

SBE 723 forms shall be submitted weekly and will be considered late if received after midnight ten (10) business days following the reporting period.

MONTHLY LABOR SUMMARY & MONTHLY CONTRACT ACTIVITY REPORTS:

The Monthly Labor Summary Report (MLSR) shall be submitted by one of two methods:

1. For Contractors having IDOT contracts valued in the aggregate at \$250,000 or less, the report may be typed or clearly handwritten using Form D8 PI0148. Submit the ORIGINAL report by mail to the Regional Engineer for District Eight. Contractors also have the option of using the method #2 outlined below.

2. For Contractors having IDOT contracts valued in the aggregate at more than \$250,000, the report must be submitted in a specific "Fixed Length Comma Delimited ASCII Text File Format". This file shall be submitted by e-mail using specific file formatting criteria provided by the District EEO Officer. Contractors must submit a sample text file to District 8 for review at least fourteen (14) days prior to the start of construction.

The Monthly Contract Activity Report (MCAR) may be typed or clearly handwritten using Form D8 PI0149.

The Monthly Labor Summary Report and the Monthly Contract Activity Report shall be submitted concurrently. If the method of transmittal is method #1 above then both the MLSR and the MCAR shall be mailed together in the same envelope. If the method of transmittal is method #2 above then the MCAR shall be scanned to a .pdf file and attached to the email containing the MLSR .txt file.

The MLSR and MCAR must be submitted for each consecutive month, for the duration of the project, and will be considered late if received after midnight ten (10) calendar days following the reporting period.

REQUEST FOR APPROVAL OF SUBCONTRACTOR:

The ORIGINAL and one copy of the Request for Approval of Subcontractor (FORM BC 260A) shall be submitted to the District at the IDOT Preconstruction Conference.

SUBSTANCE ABUSE PREVENTION PROGRAM CERTIFICATION:

The ORIGINAL and one copy of the Substance Abuse Prevention Program Certification (FORM BC 261) shall be submitted to the District at the IDOT Preconstruction Conference.

F.A.U. 8953  
Pearl Street  
Section 19-0032-02-SW  
Contract #97789  
Sidewalk and Pedestrian  
Crossing Addition  
Godfrey, Illinois

The Contractor is required to follow submittal procedures as provided by the EEO Officer at the preconstruction conference and to follow all revisions to those procedures as issued thereafter.

If a report is rejected, it is the Contractor's responsibility to make required adjustments and/or corrections and resubmit the report. Reports not submitted and accepted within the established timeframes will be considered late.

Disclosure of this information is necessary to accomplish the statutory purpose as outlined under 23CFR part 230 and 41CFR part 60.4 and the Illinois Human Rights Act. Disclosure of this information is REQUIRED. **Failure to comply with this special provision may result in the withholding of payments to the Contractor, and/or cancellation, termination, or suspension of the contract in whole or part.**

**This Special Provision must be included in each subcontract agreement.**

ALL HARD COPY FORMS TO BE SUBMITTED TO:  
Region 5 Engineer  
Illinois Department of Transportation  
ATTN: EEO/LABOR OFFICE  
1102 Eastport Plaza Drive  
Collinsville, IL 62234-6198

Compliance with this Special Provision shall be included in the cost of the contract and no additional compensation will be allowed for any costs incurred.

### **TRAFFIC CONTROL AND PROTECTION (SPECIAL)**

Traffic control shall be according to the applicable sections of the Standard Specifications for Road and Bridge Construction, the guidelines contained in the Illinois Manual on Uniform Traffic Control Devices for Streets and Highways, the Supplemental Specifications, these Special Provisions, and any special details and Highway Standards contained herein and in the plans.

Special attention is called to Articles 107.09 and 107.14 of the Standard Specifications for Road and Bridge Construction and the following traffic control; (1) Highway Standards; (2) Supplemental Specifications and Recurring Special Provisions; (3) BDE Special Provisions (4) other Special Provisions which are included in this contract:

1. Standards: 701006, 701301, 701311, 701501, 701801, 701901
2. Supplemental Specifications and Recurring Special Provisions:  
Work Zone Traffic Control Surveillance
3. BDE Special Provisions:  
Work Zone Traffic Control Devices
4. Special Provisions:  
Traffic Control and Protection (SPECIAL)



F.A.U. 8953  
Pearl Street  
Section 19-0032-02-SW  
Contract #97789  
Sidewalk and Pedestrian  
Crossing Addition  
Godfrey, Illinois

Traffic control standards shall be applied as required according to the work being performed.

All traffic control including signs, barricades, flaggers, drums, temporary access, removal of temporary materials, etc. that are necessary to complete the project, including those required for the various traffic control standards and traffic control surveillance, shall be paid for at the Contract unit price per LUMP SUM for TRAFFIC CONTROL AND PROTECTION (SPECIAL). This work shall include furnishing, placing, maintaining, moving, and removal of all traffic control devices and signs required as shown on the traffic control and protection sheet and/or as described herein.

Excavations over 1 ft in depth shall not be left open overnight. Steel plating, or an alternate method approved by the Engineer shall be utilized to protect excavations when work is not actively being performed. Lane closures shall be limited to daylight hours while work is actively being performed. Two-way traffic shall be restored at the end of the work day.

State of Illinois  
Department of Transportation  
Bureau of Local Roads and Streets

SPECIAL PROVISION  
FOR  
INSURANCE

Effective: February 1, 2007  
Revised: August 1, 2007

All references to Sections or Articles in this specification shall be construed to mean specific Section or Article of the Standard Specifications for Road and Bridge Construction, adopted by the Department of Transportation.

The Contractor shall name the following entities as additional insured under the Contractor's general liability insurance policy in accordance with Article 107.27:

---

---

---

---

---

---

---

---

The entities listed above and their officers, employees, and agents shall be indemnified and held harmless in accordance with Article 107.26.

F.A.U. 8953  
Pearl Street  
Section 19-0032-02-SW  
Contract #97789  
Sidewalk and Pedestrian  
Crossing Addition  
Godfrey, Illinois

**APPENDIX A – RAILROAD AGREEMENT AND CONTRACTOR RIGHT OF ENTRY FORMS**

UP Real Estate Project No.: 0768824

**PUBLIC HIGHWAY AT-GRADE CROSSING AGREEMENT**

Pearl Street  
DOT 294428V  
252.015 – Springfield Subdivision  
Godfrey, Madison County, Illinois

THIS AGREEMENT ("Agreement") is made and entered into as of the 24 day of September, 2024 ("Effective Date"), by and between **UNION PACIFIC RAILROAD COMPANY**, a Delaware corporation, to be addressed at Real Estate Department, 1400 Douglas Street, Mail Stop 1690, Omaha, Nebraska 68179 ("Railroad") and **VILLAGE OF GODFREY**, a municipal corporation or political subdivision of the State of Illinois to be addressed at 6810 Godfrey Road, Godfrey, Illinois 62035 ("Political Body").

**RECITALS:**

Presently, the Political Body utilizes the Railroad's property for the existing at grade public road crossing over Pearl Street, DOT Number 294428V at Railroad's Milepost 252.015 on Railroad's Springfield Subdivision at or near Godfrey, Madison County, Illinois.

The Political Body now desires to undertake as its project (the "Project") the reconstruction and widening of the existing at grade public road crossing for the addition of a sidewalk. The road crossing, as reconstructed and widened is hereinafter the "Roadway."

The Railroad right of way being utilized for the existing at grade public road crossing is not sufficient to allow for the reconstruction and widening of the Roadway. Therefore, under this Agreement, the Railroad will be granting additional rights to the Political Body to facilitate the reconstruction and widening of the Roadway. The portion of Railroad's property that Political Body needs to use in connection with the Roadway (including the right of way being utilized for the existing at grade crossing) is shown on the Railroad's location print marked **Exhibit A** and the Political Body's type, size and location prints of the Project marked **Exhibit A-1**, with each exhibit being attached hereto and hereby made a part hereof (the "Crossing Area").

In support of its Project, the Political Body has requested the Railroad's cooperation in connection with installing pedestrian gates in accordance with the design schematic marked **Exhibit E**, hereto attached and hereby made a part hereof (the "Designs"). Said work is to be performed at the sole expense of Political Body.

The Railroad and the Political Body are entering into this Agreement to cover the above.

**AGREEMENT:**

NOW, THEREFORE, it is mutually agreed by and between the parties hereto as follows:

**Section 1. EXHIBIT B**

The general terms and conditions marked **Exhibit B**, are attached hereto and hereby made a part hereof.

**Section 2. RAILROAD GRANTS RIGHT**

For and in consideration of the sum of **FIVE THOUSAND DOLLARS (\$5,000.00)** to be paid by the Political Body to the Railroad upon the execution and delivery of this Agreement and in further consideration of the Political Body's agreement to perform and comply with the terms of this Agreement, the Railroad hereby grants to the Political Body the right to construct, maintain and repair the Roadway over and across the Crossing Area.

**Section 3. DEFINITION OF CONTRACTOR**

For purposes of this Agreement the term "Contractor" shall mean the contractor or contractors hired by the Political Body to perform any Project work on any portion of the Railroad's property and shall also include the Contractor's subcontractors and the Contractor's and subcontractor's respective employees, officers and agents, and others acting under its or their authority.

**Section 4. CONTRACTOR'S RIGHT OF ENTRY AGREEMENT - INSURANCE**

A. Prior to Contractor performing any work within the Crossing Area and any subsequent maintenance and repair work, the Political Body shall require the Contractor to:

- execute the Railroad's then current Contractor's Right of Entry Agreement
- obtain the then current insurance required in the Contractor's Right of Entry Agreement; and
- provide such insurance policies, certificates, binders and/or endorsements to the Railroad.

B. The Railroad's current Contractor's Right of Entry Agreement is marked **Exhibit D**, attached hereto and hereby made a part hereof. The Political Body confirms that it will inform its Contractor that it is required to execute such form of agreement and

obtain the required insurance before commencing any work on any Railroad property. Under no circumstances will the Contractor be allowed on the Railroad's property without first executing the Railroad's Contractor's Right of Entry Agreement and obtaining the insurance set forth therein and also providing to the Railroad the insurance policies, binders, certificates and/or endorsements described therein.

C. All insurance correspondence, binders, policies, certificates and/or endorsements shall be sent to:

Manager - Contracts  
Union Pacific Railroad Company  
Real Estate Department  
1400 Douglas Street, Mail Stop 1690  
Omaha, NE 68179-1690  
UP Project No. 0768824

D. If the Political Body's own employees will be performing any of the Project work, the Political Body may self-insure all or a portion of the insurance coverage subject to the Railroad's prior review and approval.

**Section 5. FEDERAL AID POLICY GUIDE**

If the Political Body will be receiving any federal funding for the Project, the current rules, regulations and provisions of the Federal Aid Policy Guide as contained in 23 CFR 140, Subpart I and 23 CFR 646, Subparts A and B are incorporated into this Agreement by reference.

**Section 6. NO PROJECT EXPENSES TO BE BORNE BY RAILROAD**

The Political Body agrees that no Project costs and expenses are to be borne by the Railroad. In addition, the Railroad is not required to contribute any funding for the Project.

**Section 7. WORK TO BE PERFORMED BY RAILROAD; BILLING SENT TO POLITICAL BODY; POLITICAL BODY'S PAYMENT OF BILLS**

A. The work to be performed by the Railroad, at the Political Body's sole cost and expense, is described in the Railroad's Material and Force Account Estimates dated June 1, 2023, and August 16, 2023, marked **Exhibit C**, attached hereto and hereby made a part hereof (the "Estimates"). As set forth in the Estimates, the Railroad's estimated cost for the Railroad's work associated with the Project is Three Hundred Thirteen Thousand Three Hundred Ninety Dollars (\$313,390.00).

B. The Railroad, if it so elects, may recalculate and update the Estimates submitted to the Political Body in the event the Political Body does not commence construction on the portion of the Project located on the Railroad's property within six (6)

months from the date of the Estimates.

C. The Political Body acknowledges that the Estimates may not include any estimate of flagging or other protective service costs that are to be paid by the Political Body or the Contractor in connection with flagging or other protective services provided by the Railroad in connection with the Project. All of such costs incurred by the Railroad are to be paid by the Political Body or the Contractor as determined by the Railroad and the Political Body. If it is determined that the Railroad will be billing the Contractor directly for such costs, the Political Body agrees that it will pay the Railroad for any flagging costs that have not been paid by any Contractor within thirty (30) days of the Contractor's receipt of billing.

D. The Railroad shall send progressive billing to the Political Body during the Project and final billing to the Political Body within three hundred sixty-five (365) days after receiving written notice from the Political Body that all Project work affecting the Railroad's property has been completed and the Project Manager has closed the Project work order and notified the Political Body.

E. The Political Body agrees to reimburse the Railroad within thirty (30) days of its receipt of billing from the Railroad for one hundred percent (100%) of all actual costs incurred by the Railroad in connection with the Project including, but not limited to, all actual costs of engineering review (including preliminary engineering review costs incurred by Railroad prior to the Effective Date of this Agreement), construction, inspection, flagging (unless flagging costs are to be billed directly to the Contractor), procurement of materials, equipment rental, manpower and deliveries to the job site and all direct and indirect overhead labor/construction costs including Railroad's standard additive rates.

## **Section 8. PLANS**

A. The Political Body, at its expense, shall prepare, or cause to be prepared by others, the detailed plans and specifications for the Project and the Structure and submit such plans and specifications to the Railroad's Assistant Vice President Engineering-Design, or his authorized representative, for prior review and approval. The plans and specifications shall include all Roadway layout specifications, cross sections and elevations, associated drainage, and other appurtenances.

B. The final one hundred percent (100%) completed plans that are approved in writing by the Railroad's Assistant Vice President Engineering-Design, or his authorized representative, are hereinafter referred to as the "Plans". The Plans are hereby made a part of this Agreement by reference.

C. No changes in the Plans shall be made unless the Railroad has consented to such changes in writing.

D. The Railroad's review and approval of the Plans will in no way relieve the Political Body or the Contractor from their responsibilities, obligations and/or liabilities under this Agreement, and will be given with the understanding that the Railroad makes no representations or warranty as to the validity, accuracy, legal compliance or completeness of the Plans and that any reliance by the Political Body or Contractor on the Plans is at the risk of the Political Body and Contractor.

**Section 9. NON-RAILROAD IMPROVEMENTS**

A. Submittal of plans and specifications for protecting, encasing, reinforcing, relocation, replacing, removing and abandoning in place all non-railroad owned facilities (the "Non Railroad Facilities") affected by the Project including, without limitation, utilities, fiber optics, pipelines, wirelines, communication lines and fences is required under Section 8. The Non Railroad Facilities plans and specifications shall comply with Railroad's standard specifications and requirements, including, without limitation, American Railway Engineering and Maintenance-of-Way Association ("AREMA") standards and guidelines. Railroad has no obligation to supply additional land for any Non Railroad Facilities and does not waive its right to assert preemption defenses, challenge the right-to-take, or pursue compensation in any condemnation action, regardless if the submitted Non Railroad Facilities plans and specifications comply with Railroad's standard specifications and requirements. Railroad has no obligation to permit any Non Railroad Facilities to be abandoned in place or relocated on Railroad's property.

B. Upon Railroad's approval of submitted Non Railroad Facilities plans and specifications, Railroad will attempt to incorporate them into new agreements or supplements of existing agreements with Non Railroad Facilities owners or operators. Railroad may use its standard terms and conditions, including, without limitation, its standard license fee and administrative charges when requiring supplements or new agreements for Non Railroad Facilities. Non Railroad Facilities work shall not commence before a supplement or new agreement has been fully executed by Railroad and the Non Railroad Facilities owner or operator, or before Railroad and Political Body mutually agree in writing to (i) deem the approved Non Railroad Facilities plans and specifications to be Plans pursuant to Section 8B, (ii) deem the Non Railroad Facilities part of the Structure, and (iii) supplement this Agreement with terms and conditions covering the Non Railroad Facilities.

**Section 10. EFFECTIVE DATE; TERM; TERMINATION**

A. This Agreement is effective as of the Effective Date first herein written and shall continue in full force and effect for as long as the Roadway remains on the Railroad's property.

B. The Railroad, if it so elects, may terminate this Agreement effective upon delivery of written notice to the Political Body in the event the Political Body does not commence construction on the portion of the Project located on the Railroad's property within twelve (12) months from the Effective Date.



C. If the Agreement is terminated as provided above, or for any other reason, the Political Body shall pay to the Railroad all actual costs incurred by the Railroad in connection with the Project up to the date of termination, including, without limitation, all actual costs incurred by the Railroad in connection with reviewing any preliminary or final Project Plans.

**Section 11. CONDITIONS TO BE MET BEFORE POLITICAL BODY CAN COMMENCE WORK**

Neither the Political Body nor the Contractor may commence any work within the Crossing Area or on any other Railroad property until:

- (i) The Railroad and Political Body have executed this Agreement.
- (ii) The Railroad has provided to the Political Body the Railroad's written approval of the Plans.
- (iii) Each Contractor has executed Railroad's Contractor's Right of Entry Agreement and has obtained and/or provided to the Railroad the insurance policies, certificates, binders, and/or endorsements required under the Contractor's Right of Entry Agreement.
- (iv) Each Contractor has given the advance notice(s) required under the Contractor's Right of Entry Agreement to the Railroad Representative named in the Contractor's Right of Entry Agreement.

**Section 12. FUTURE PROJECTS**

Future projects involving substantial maintenance, repair, reconstruction, renewal and/or demolition of the Roadway shall not commence until Railroad and Political Body agree on the plans for such future projects, cost allocations, right of entry terms and conditions and temporary construction rights, terms and conditions.

**Section 13. ASSIGNMENT; SUCCESSORS AND ASSIGNS**

A. Political Body shall not assign this Agreement without the prior written consent of Railroad.

B. Subject to the provisions of Paragraph A above, this Agreement shall inure to the benefit of and be binding upon the successors and assigns of Railroad and Political Body.

**Section 14. SPECIAL PROVISIONS PERTAINING TO AMERICAN RECOVERY AND REINVESTMENT ACT OF 2009**

If the Political Body will be receiving American Recovery and Reinvestment Act ("ARRA") funding for the Project, the Political Body agrees that it is responsible in performing and completing all ARRA reporting documents for the Project. The Political Body confirms and acknowledges that Section 1512 of the ARRA provisions applies only to a "recipient" receiving ARRA funding directing from the federal government and, therefore, (i) the ARRA reporting requirements are the responsibility of the Political Body and not of the Railroad, and (ii) the Political Body shall not delegate any ARRA reporting responsibilities to the Railroad. The Political Body also confirms and acknowledges that (i) the Railroad shall provide to the Political Body the Railroad's standard and customary billing for expenses incurred by the Railroad for the Project including the Railroad's standard and customary documentation to support such billing, and (ii) such standard and customary billing and documentation from the Railroad provides the information needed by the Political Body to perform and complete the ARRA reporting documents. The Railroad confirms that the Political Body and the Federal Highway Administration shall have the right to audit the Railroad's billing and documentation for the Project as provided in Section 11 of **Exhibit B** of this Agreement.

**Section 15. TERMINATION OF ORIGINAL AGREEMENT**

Upon the completion of the Roadway, the original agreement either governing currently, or any agreement to be found in the future at the existing at-grade crossing shall terminate and the terms and conditions of this Agreement shall govern the use, maintenance and repair of the Roadway.

IN WITNESS WHEREOF, the parties have caused this Agreement to be duly executed as of the Effective Date first herein written.

**UNION PACIFIC RAILROAD COMPANY**

(Federal Tax ID #94-6001323)

DocuSigned by:

*Daniel A. Leis*

By: E217E2BBF8494C5...

Printed Name: Daniel A. Leis

Title: General Director - Real Estate

**VILLAGE OF GODFREY**

By: *Mike McCormick*

Printed Name: MIKE McCORMICK

Title: MAYOR

**EXHIBIT A  
TO  
PUBLIC HIGHWAY AT-GRADE CROSSING AGREEMENT**

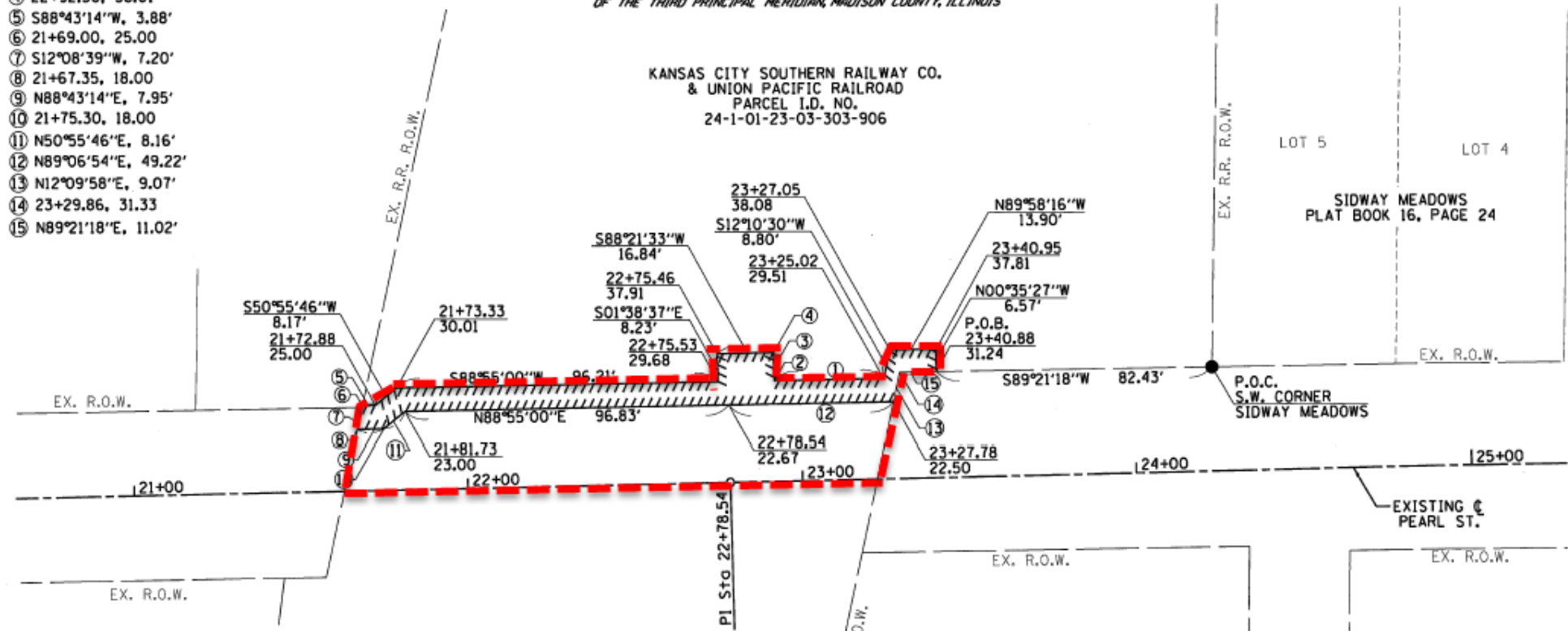
**Exhibit A** will be a print showing the Crossing Area (see Recitals)

# "EXHIBIT A"

PART OF THE NORTH HALF OF SECTION 23, TOWNSHIP 6 NORTH, RANGE 18 WEST  
OF THE THIRD PRINCIPAL MERIDIAN, MADISON COUNTY, ILLINOIS

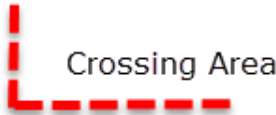
KANSAS CITY SOUTHERN RAILWAY CO.  
& UNION PACIFIC RAILROAD  
PARCEL I.D. NO.  
24-1-01-23-03-303-906

- ① S89°06'54"W, 32.68'
- ② 22+92.34, 29.62
- ③ N01°23'41"W, 8.39'
- ④ 22+92.30, 38.01
- ⑤ S88°43'14"W, 3.88'
- ⑥ 21+69.00, 25.00
- ⑦ S12°08'39"W, 7.20'
- ⑧ 21+67.35, 18.00
- ⑨ N88°43'14"E, 7.95'
- ⑩ 21+75.30, 18.00
- ⑪ N50°55'46"E, 8.16'
- ⑫ N89°06'54"E, 49.22'
- ⑬ N12°09'58"E, 9.07'
- ⑭ 23+29.86, 31.33
- ⑮ N89°21'18"E, 11.02'



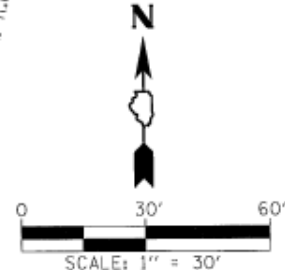
LOT 5                      LOT 4  
SIDWAY MEADOWS  
PLAT BOOK 16, PAGE 24

**LEGEND**



WE, CIVIL DESIGN, INC., HEREBY CERTIFY THAT THIS IS AN ACCURATE EXHIBIT OF A PORTION OF ROADWAY KNOWN AS PEARL STREET, WITHIN THE VILLAGE OF GODFREY ILLINOIS, AS LOCATED AND SURVEYED FOR IMPROVEMENT.

*Daniel J. Holland*                      1/20/2021  
DANIEL J. HOLLAND  
ILLINOIS PROFESSIONAL LAND SURVEYOR \*035-3907  
LICENSE EXPIRES 11/30/2022



BASIS OF BEARING IS THE ILLINOIS STATE PLANE COORDINATE SYSTEM WEST ZONE (NAD 83)

KANSAS CITY SOUTHERN RAILWAY CO.  
& UNION PACIFIC RAILROAD  
PERMANENT EASEMENT = 0.032 ACRES (1,380 SF)

VILLAGE OF GODFREY RIGHT-OF-WAY  
MADISON COUNTY, IL



5220 OAKLAND AVE  
ST. LOUIS, MO 63110  
314.863.5570  
IL DESIGN FIRM # 184.003222

CIVIL DESIGN, INC.  
WBE | DBE

**EXHIBIT A-1  
TO  
PUBLIC HIGHWAY AT-GRADE CROSSING AGREEMENT**

**Exhibit A-1** will be the Political Body's type, size and location prints of the Project (see Recitals)

SECTION	COUNTY	SHEET
19-00032-02-SW	MADISON	14
LINDBS	CONTRACT NO. 97789	1

STATE OF ILLINOIS  
 LOCAL AGENCY PROJECT  
**PROPOSED  
 HIGHWAY PLANS**  
 RAILWAY-HIGHWAY SAFETY CROSSING PROGRAM FUNDS  
 FAU ROUTE 8953 (PEARL STREET)  
 SECTION 19-00032-02-SW  
 PROJECT M2EH (908)  
 SIDEWALK AND PEDESTRIAN  
 CROSSING ADDITION  
 AAR/DOT #294428V, MP 252.01 AND  
 AAR/DOT #441185B, MP 252.02  
 VILLAGE OF GODFREY  
 MADISON COUNTY

**INDEX OF SHEETS**

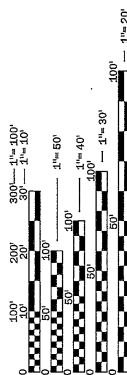
- 1 COVER SHEET
- 2 GENERAL NOTES, COMMITMENTS, HIGHWAY STANDARDS
- 3-4 SUMMARY OF QUANTITIES
- 5 TYPICAL SECTIONS
- 6 ALIGNMENT, TIES, AND BENCHMARKS
- 7 PLAN & PROFILE SHEETS
- 8-14 DETAIL SHEETS

**TRAFFIC DATA**

PEARL STREET  
 ADT = 3,500 (2012)  
 ADT = 4,059 (2020)  
 ADT = 4,486 (2040)

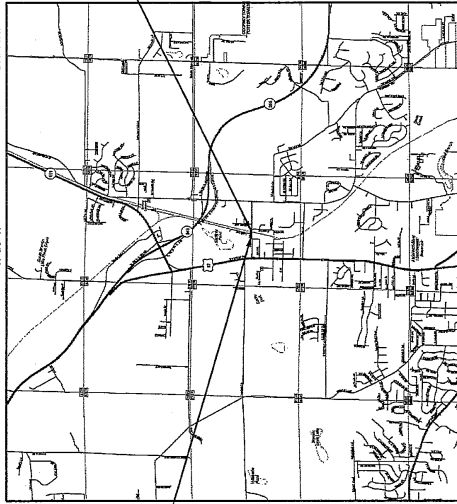
**FUNCTIONAL CLASSIFICATION**

MAJOR COLLECTOR



JULIE  
 JOINT UTILITY LOCATION INFORMATION FOR EXCAVATION  
 1-800-892-8123  
 OR 811

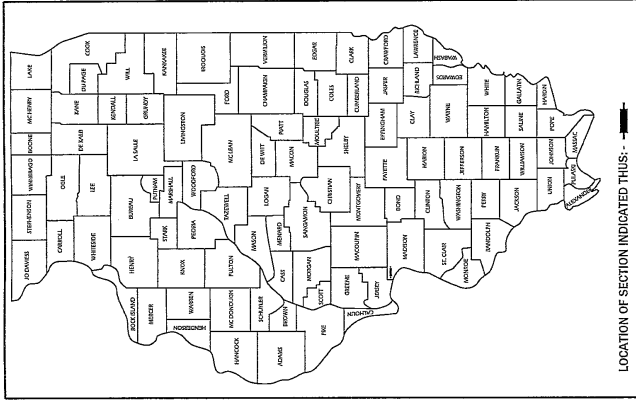
**CONTRACT NO. 97789**



NET LENGTH = 204.00 FT. = 0.0386 MILE  
 GROSS LENGTH = 204.00 FT. = 0.0386 MILE



SIGNED: *J. Wilcox* 07-15-2022  
 ILLINOIS PROFESSIONAL ENGINEER NO. 062-070470  
 LICENSE EXPIRES: 11-30-2023



PLANS PREPARED BY:



AGENCY RESPONSIBLE FOR LETTING

Approved: *M. McConrad*  
 VILLAGE OF GODFREY, ILLINOIS

Passed: \_\_\_\_\_

Releasing for Bid Based on Unfiled Review: \_\_\_\_\_  
 District & Engineer of Local Roads & Streets

Regional Engineer: \_\_\_\_\_

**PRINTED BY THE AUTHORITY  
 OF THE STATE OF ILLINOIS**

**GENERAL NOTES**

NO WORK SHALL COMMENCE UNTIL TRAFFIC CONTROL REQUIREMENTS ARE MET.  
 THE CONTRACTOR SHALL DEVELOP A PLAN TO ACCOMPLISH THIS WORK AND MINIMIZE DISRUPTION OF ACCESS. THIS PLAN SHALL BE SUBMITTED TO THE ENGINEER FOR APPROVAL.  
 THE CONTRACTOR SHALL BE REQUIRED TO PROVIDE ACCESS TO ADJUTING PROPERTIES AT ALL TIMES DURING CONSTRUCTION OF THE PROJECT.  
 THE ENGINEER WILL BE THE SOLE JUDGE CONCERNING CURING TIME FOR THE VARIOUS HMA LIFTS.  
 THE CONTRACTOR SHALL PROTECT ALL TREES FROM DAMAGE DUE TO HIS OPERATIONS.  
 BENCHMARKS FOR THE PROJECT ARE DESCRIBED IN THE PLANS AND ARE BASED ON NORTH AMERICAN VERTICAL DATUM OF 1988 (NAVD 88). ALL BEARINGS AND COORDINATES REFERENCED IN THE PLAN DRAWINGS AND ALL CONTROL COORDINATES ARE BASED ON THE ILLINOIS STATE PLANE COORDINATE SYSTEM, WEST ZONE, NAD 83.  
 ANY REFERENCE TO A STANDARD IN THESE PLANS SHALL BE INTERPRETED TO MEAN THE EDITION AS INDICATED BY THE SUBNUMBER SHOWN IN THE LIST OF STANDARDS.  
 THE CONTRACTOR SHALL KEEP EXISTING ADJACENT STREETS CLEAN OF DIRT, MUD, AND OTHER DEBRIS AND, WHEN NECESSARY, CLEAN SHALL PAYMENTS ON A DAILY BASIS ON THE DIRECTED BY THE ENGINEER. NO EXTRA COMPENSATION SHALL BE ALLOWED TO THE CONTRACTOR FOR THIS WORK.  
 IT SHALL BE THE CONTRACTOR'S RESPONSIBILITY TO MAINTAIN DRAINAGE FLOWS AT ALL TIMES DURING THE PERFORMANCE OF THE WORK. METHODS USED BY THE CONTRACTOR SHALL BE SUBJECT TO APPROVAL OF THE ENGINEER. THE COST OF MAINTAINING DRAINAGE FLOWS SHALL BE INCLUDED IN THE CONTRACT UNIT PRICE FOR THE DRAINAGE ITEMS.  
 ALL UTILITIES, SCHOOL DISTRICTS, POST OFFICE, LOCAL POLICE, AND FIRE DEPARTMENTS SHALL BE NOTIFIED BY THE CONTRACTOR A MINIMUM OF 7 DAYS PRIOR TO THE START OF CONSTRUCTION.  
 WORK SHALL BE PERFORMED SO THAT ALL DRIVEWAYS SHALL BE ACCESSIBLE OR THAT THE CONTRACTOR PROVIDES RESIDENTS WITH PARKING ACCESS. THIS WORK THE CONTRACTOR SHALL COORDINATE WITH RESIDENTS.

**PUBLIC SERVICES**

SCHOOL DISTRICT

ALTON SCHOOL DISTRICT  
 550 LANDMARKS BLVD  
 SUITE A  
 ALTON, IL 62002  
 618.474.2600

POST OFFICE

UNITED STATES POSTAL SERVICE  
 400 TOLLE LANE  
 GODFREY, IL 62035  
 618.466.3121

POLICE DEPARTMENT

WADISON COUNTY SHERIFF  
 405 RANDLE STREET  
 EDWARDSVILLE, IL 62025  
 618.692.4433

FIRE DEPARTMENT

GODFREY FIRE PROTECTION DISTRICT  
 6011 GODFREY ROAD  
 GODFREY, IL 62035  
 618.466.0131

**COMMITMENTS**

NONE

**HIGHWAY STANDARDS**

- 000001-08 STANDARD SYMBOLS, ABBREVIATIONS AND PATTERNS
- 280001-07 TEMPORARY EROSION CONTROL SYSTEMS
- 420001-09 PAVEMENT JOINTS
- 420001-11 PERPENDICULAR CURB RAMPS
- 424026-03 ENTRANCE ALLEY PEDESTRIAN CROSSING
- 604001-05 CONCRETE CURB TYPE B AND COMBINATION CONCRETE CURB AND GUTTER OFF-ROAD OPERATIONS. 2L, 2M, 15' (4.5 M) TO 24' (600 MM) FROM PAVEMENT EDGE
- 606001-08 FRAMES AND LIDS TYPE 1
- 701001-04 LANE CLOSURE, 2L, 2M, SHORT TIME OPERATIONS
- 701001-03 LANE CLOSURE, 2L, 2M, MOVING OPERATIONS - DAY ONLY
- 701001-06 URBAN LANE CLOSURE, 2L, 2M, UNDIVIDED SIDEWALK, CORNER OR CROSSWALK CLOSURE
- 701801-06 TRAFFIC CONTROL DEVICES
- 701901-08 SIGN PANEL MOUNTING DETAILS
- 720001-01 SIGN PANEL ERECTION DETAILS
- 720001-01 METAL POSTS FOR SIGNS, MARKERS & DELINEATORS
- 729001-01 APPLICATIONS OF TYPES A & B METAL POSTS FOR SIGNS & MARKERS)
- 780001-05 TYPICAL PAVEMENT MARKINGS

**UTILITIES**

Name & Address of Utility	Type	Location
A&T Kevin Urbanek OS-P- Design Engineer 1701 Midwest C&E 16101 Division St, Maryville, IL 62062	overhead telephone	No conflict at this time.
Charter Communications 618.346.6426 kul285@att.com	overhead cable	No conflict at this time.
Larry Saafir Village of Godfrey Rich Beran Village Engineer 618.466.4319 rberan@godfreyil.org	storm sewer	Manhole to be adjusted STA 23+23.25
City of Brighton Craig J. Pugh 216-323-2718 cpugh@amwater.com	Potable water	No conflict.
Consolidated Communications Wes Chambers 217-235-3355 Wes.Chambers@consolidated.com	Fiber optic	No conflict at this time.
IL-American Water - Alton Cheryl Johnson 618-466-2131x3	Potable water, Sanitary sewer	No conflict at this time.
Ameren IP South Gas John Westermelde 618-347-1245 C 618-347-1243 JWWestelde@ameren.com	Underground gasoline	No conflict at this time.
Ameren IP South Electric John Westermelde T 618-346-1245 C 618-407-0483 JWWestelde@ameren.com	overhead electric	No conflict at this time.
Level 3 Communications 877-366-8344x2 NationalRelo@centurylink.com	Fiber optic	No conflict at this time.
Sprint 708-955-6659 James.burton@erisson.com	Fiber optic	No conflict at this time.
Zayo/FNA 360 Networks Henry Kibucar 408-968-8311 Henry.kibucar@zayo.com	Fiber optic	No conflict at this time.

**STATE OF ILLINOIS  
DEPARTMENT OF TRANSPORTATION**

**GENERAL NOTES, COMMITMENTS, HIGHWAY STANDARDS**

SCALE	SHEET 1	OF 1	SHEETS
PEARL STREET			
FULL SHEET NO. 97789	SECTION 1940002-02-SW	COUNTY WADISON	SHEET NO. 14
CONTRACT NO. 97789			DATE 10/01/2022



DESIGNED: CJW	REVIEWED: -
DRAWN: SA	REVIEWED: -
CHECKED: LWJ	REVIEWED: -
DATE: -	REVIEWED: -

DESIGNED: CJW	REVIEWED: -
DRAWN: SA	REVIEWED: -
CHECKED: LWJ	REVIEWED: -
DATE: -	REVIEWED: -

DESIGNED: CJW	REVIEWED: -
DRAWN: SA	REVIEWED: -
CHECKED: LWJ	REVIEWED: -
DATE: -	REVIEWED: -

DESIGNED: CJW	REVIEWED: -
DRAWN: SA	REVIEWED: -
CHECKED: LWJ	REVIEWED: -
DATE: -	REVIEWED: -



CODE NO.	ITEM	UNIT	QUANTITY
20200100	EARTH EXCAVATION	CU YD	15
35100300	AGGREGATE BASE COURSE, TYPE A 4"	SQ YD	141
42000301	PORTLAND CEMENT CONCRETE PAVEMENT 8" (JOINTED)	SQ YD	72
42300200	PORTLAND CEMENT CONCRETE DRIVEWAY PAVEMENT, 6 INCH	SQ YD	47
42400100	PORTLAND CEMENT CONCRETE SIDEWALK 4 INCH	SQ FT	583
42400800	DETECTABLE WARNINGS	SQ FT	60
44000100	PAVEMENT REMOVAL	SQ YD	95
44000200	DRIVEWAY PAVEMENT REMOVAL	SQ YD	47
44000400	GUTTER REMOVAL	FOOT	60
44000600	SIDEWALK REMOVAL	SQ FT	47
60255300	MANHOLES TO BE ADJUSTED WITH NEW TYPE 1 FRAME, CLOSED LID	EACH	1
60605000	COMBINATION CONCRETE CURB AND GUTTER, TYPE B-6-24	FOOT	96
67100100	MOBILIZATION	L SUM	1
72400310	REMOVE SIGN PANEL - TYPE 1	SQ FT	2
72400600	RELOCATE SIGN PANEL ASSEMBLY - TYPE B	EACH	1
73500300	REMOVE AND RELOCATE GROUND MOUNTED SIGN SUPPORT	EACH	1
X86060505	CONCRETE CURB (SPECIAL)	FOOT	23

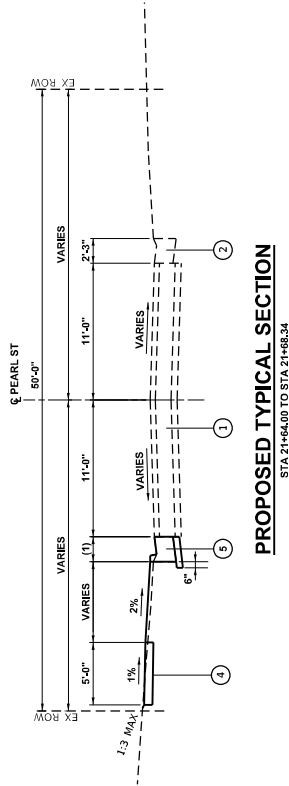
\* =SPECIALTY ITEM

 LOGAN MULLER ENGINEERING 1000 N. WASHINGTON ST. SUITE 200 MILWAUKEE, WI 53233	USER NAME = J. WILSON MODEL NAME = 03/20/21 PLOT SCALE = 41/8887" = 1/215" = 1/215" PLOT DATE = 3/16/2022	DESIGNED: CJW DRAWN: SA CHECKED: LWJ DATE:	REVISIONS REVISION REVISION REVISION	STATE OF ILLINOIS DEPARTMENT OF TRANSPORTATION	SCALE: NTS SHEET 1 OF 2 SHEETS	F.C.L. NO. 19853 SECTION 1940002-02-SW COUNTY MADISON CONTRACT NO. 97789	SHEET TOTAL 14 SHEET NO. 3
	SUMMARY OF QUANTITIES PEARL STREET			SHEET 1 OF 2 SHEETS		EUPOR 193.0.MD.0000101	

CODE NO.	ITEM	UNIT	QUANTITY
X7010216	TRAFFIC CONTROL AND PROTECTION, (SPECIAL)	L SUM	1
Z0013798	CONSTRUCTION LAYOUT	L SUM	1
Z0046665	RAILROAD PROTECTIVE LIABILITY INSURANCE	L SUM	1

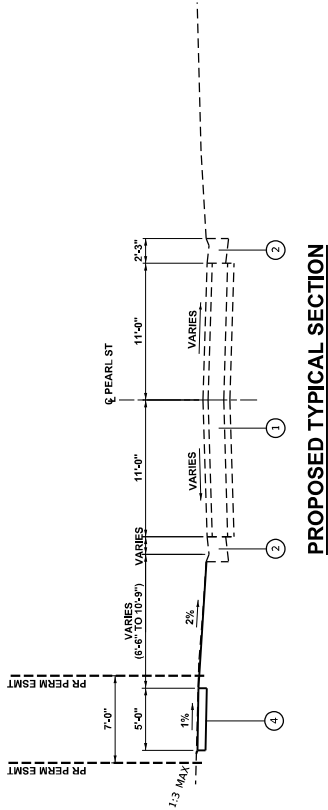
• =SPECIALTY ITEM

 LOGAN MUELLER ENGINEERING 1111 N. WISCONSIN ST. SUITE 200 MADISON, WI 53706 PHONE: 608.278.1111 FAX: 608.278.1112 WWW: LOGANMUELLER.COM	USER NAME = jvw@lme MODEL NAME = 000002 PLOT SCALE = 416667'.IN PLOT DATE = 3/16/2022	DESIGNED: CJW DRAWN: SA CHECKED: LWJ DATE:	REVISIONS REVISION REVISION REVISION	STATE OF ILLINOIS DEPARTMENT OF TRANSPORTATION	SUMMARY OF QUANTITIES PEARL STREET	PROJECT: 180-MD000181 SECTION: 1840002-02-SW COUNTY: MADISON F.C.L. NO.: 18653	SHEET NO. 97789 SHEET 2 OF 2 SHEETS
	SCALE: NTS		SHEET 2 OF 2 SHEETS		CONTRACT NO. 97789		



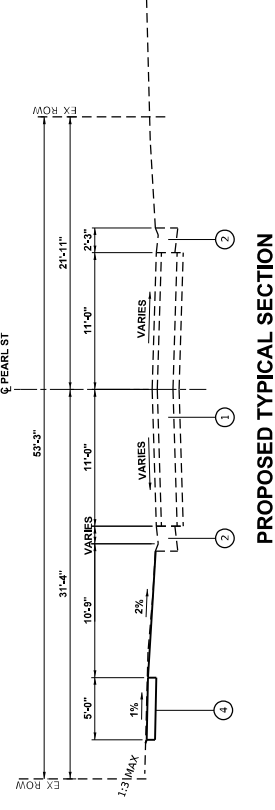
**PROPOSED TYPICAL SECTION**

STA 21+64.00 TO STA 21+68.34



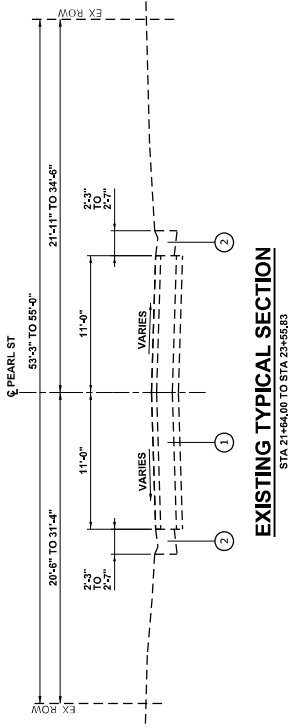
**PROPOSED TYPICAL SECTION**

STA 21+68.34 TO STA 23+28.65



**PROPOSED TYPICAL SECTION**

STA 23+28.65 TO STA 23+55.83



**EXISTING TYPICAL SECTION**

STA 21+64.00 TO STA 23+55.83

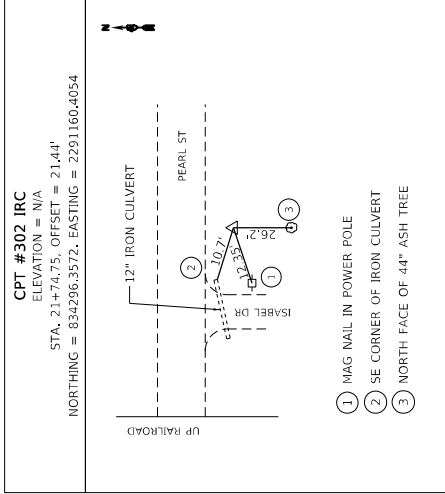
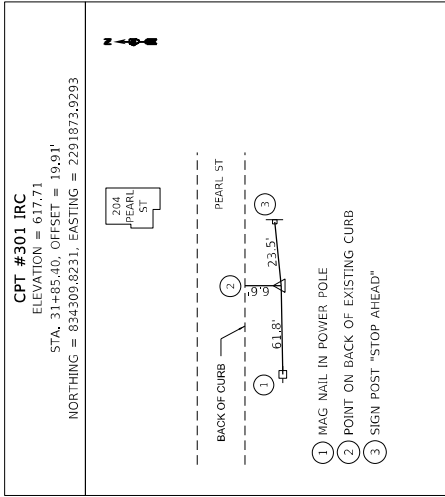
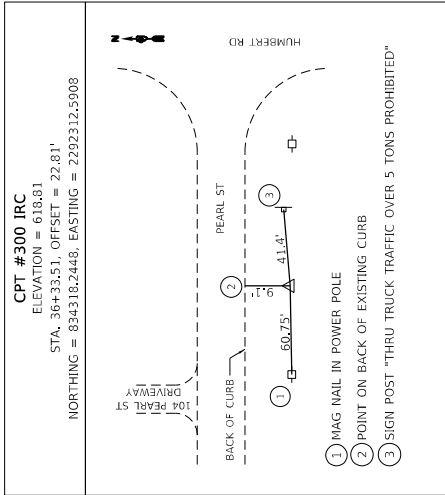
**LEGEND**

- 1 EXISTING HMA/CONCRETE PAVEMENT
- 2 EXISTING CONCRETE GUTTER/CURB & GUTTER
- 3 PROPOSED HOT-MIX ASPHALT SURFACE COURSE IL-9.5, MIX "D", N70, 2"
- 4 PROPOSED PORTLAND CEMENT CONCRETE SIDEWALK, 4"
- 5 PROPOSED CONCRETE COMBINATION CURB AND GUTTER, TYPE B-6.24

**NOTES:**

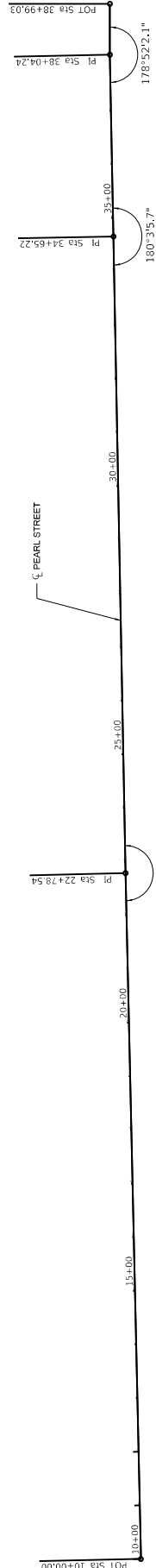
- 1) TRANSITION WIDTH BETWEEN EXISTING DEPRESSED CURB AND GUTTER AND PROPOSED CURB AND GUTTER, TYPE B-6.24

	USER NAME = j.walton MODEL NAME = TYP-DT PLOT SCALE = 1/10000"=1' PLOT DATE = 5/19/2022	DESIGNED: CJW DRAWN: SA CHECKED: LWJ DATE:	REVISIONS: REVISION: - REVISION: - REVISION: - REVISION: -	STATE OF ILLINOIS DEPARTMENT OF TRANSPORTATION		TYPICAL SECTIONS PEARL STREET	SCALE: N.T.S.	SHEET 1 OF 1 SHEETS
	PROJECT NO. 2017-0035-001 CONTRACT NO. 97789	COUNTY: MADISON SECTION: 1940002-025W	F.C.D. NO. 4853	SHEET NO. 14	SHEET NO. 5	CONTRACT NO. 97789		



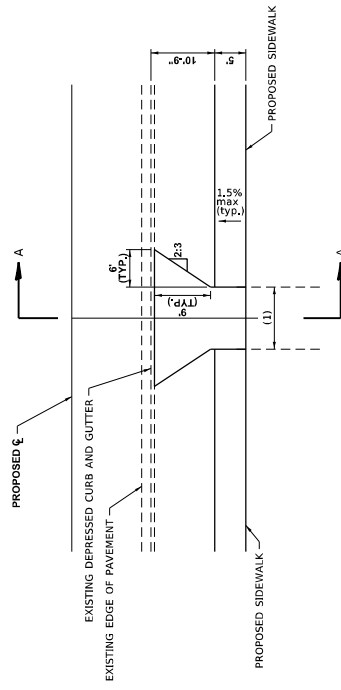
MONUMENT	ELEVATION	DESCRIPTION
BM 1	621.57'	SET RAILROAD SPIKE IN THE NORTH FACE OF THE 4TH POWER POLE WEST OF HUMBERT ROAD ON THE SOUTH SIDE OF PEARL STREET, POLE TAG #80M48021

PR PEARL STREET			
POINT	STATION	NORTHING	EASTING
POT	10+00.00	834,264,1622	2,289,689.0120
PI	22+78.54	834,292,7115	2,290,967.2318
PI	34+65.22	834,315,1030	2,292,153.6970
PI	38+04.24	834,321,8052	2,292,492.6523
PI	38+99.03	834,321,8052	2,292,587.4416



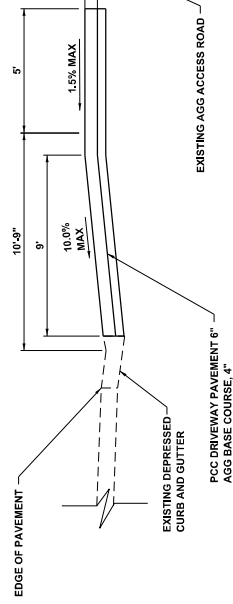
	USER NAME = J. WOOD MODEL NAME = AT&B PLOT SCALE = 300000' = 1" = 300000' PLOT DATE = 8/15/2022	DESIGNED: CJW DRAWN: SA CHECKED: LWJ DATE:	REVISED: - REVISED: - REVISED: - REVISED: -	STATE OF ILLINOIS DEPARTMENT OF TRANSPORTATION	ALIGNMENT, TIES AND BENCHMARKS PEARL STREET	COUNTY: MADISON SECTION: B-40002402-SW SHEET TOTAL: 14 SHEET NO.: 6 CONTRACT NO.: 97789
	SCALE: N.T.S.			SHEET 1 OF 1 SHEETS	SHEET 1 OF 1 SHEETS	SHEET 14 OF 14 SHEETS



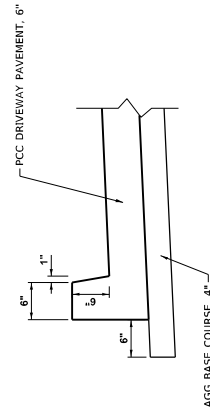


**PRIVATE ENTRANCE DETAIL (N.T.S.)**

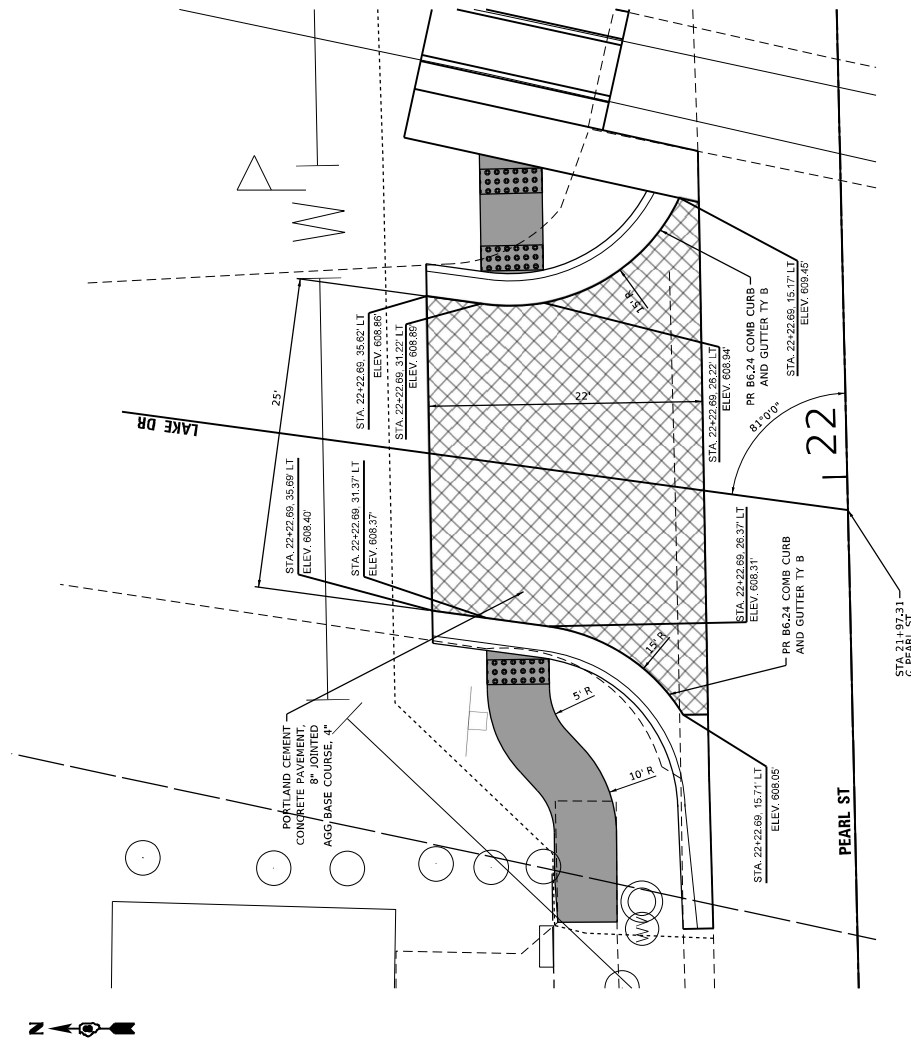
ENTRANCES AT STA 22+68.00 AND STA 23+45.00  
 (1) 11" AT STA 22+68.00, 10" AT STA 23+45.00



**SECTION A-A**



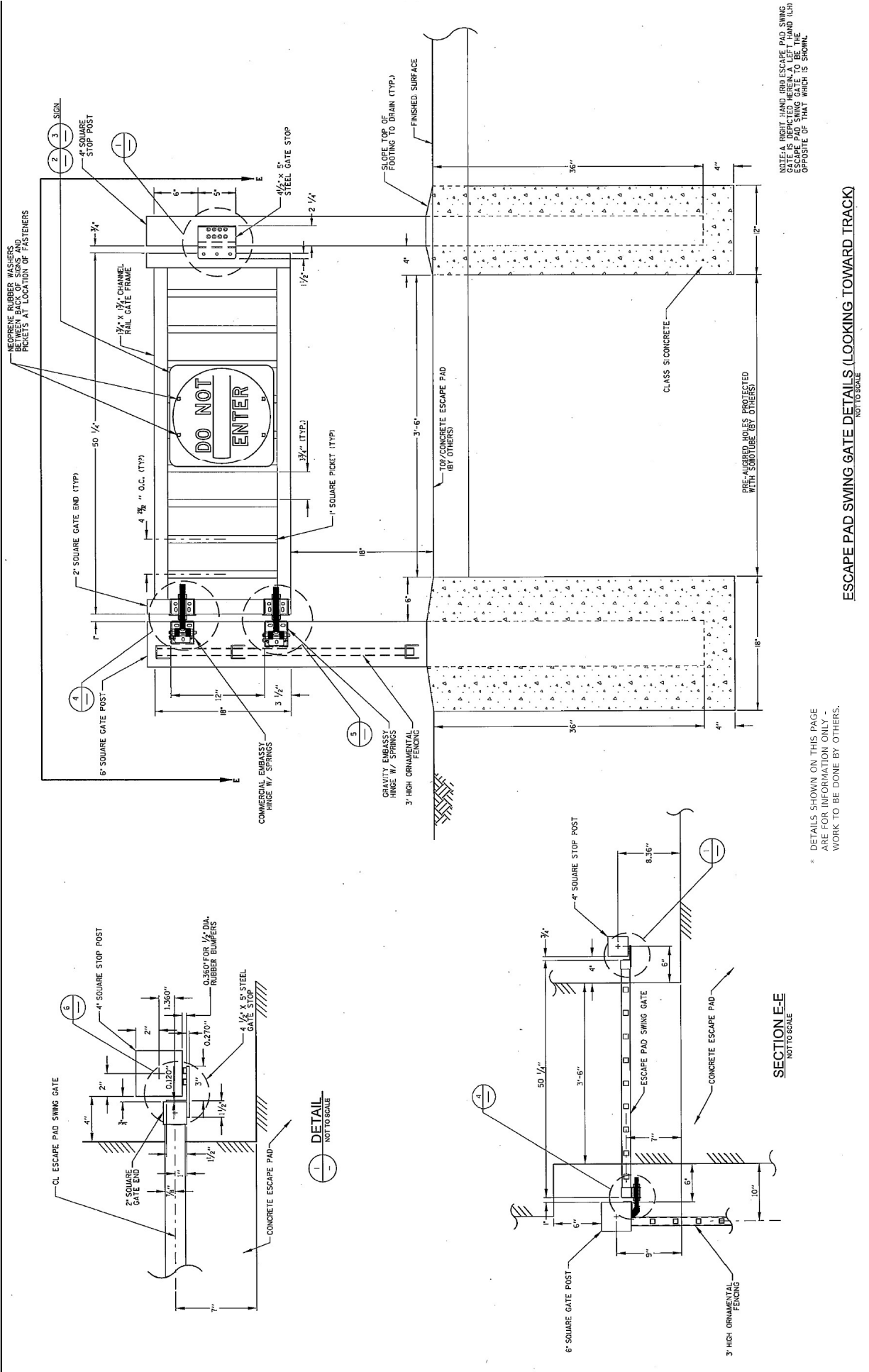
**INTEGRAL BARRIER CURB DETAIL (N.T.S.)**



**LAKE DRIVE DETAIL**

	USER NAME: MODEL NAME: PLOT SCALE: PLOT DATE:	DESIGNED: CJW DRAWN: SA CHECKED: LWJ DATE:	REVISIONS: REVISION: REVISION: REVISION:	STATE OF ILLINOIS DEPARTMENT OF TRANSPORTATION	SCALE: N.T.S. SHEET 1 OF 7 SHEETS	DETAILS PEARL STREET	F.C.L.L. NO. 4863	SECTION 1940002-02-SW	COUNTY MADISON	SHEET NO. 14	CONTRACT NO. 97789
	PROJECT: 1940002-02-SW										





NOTE: A RIGHT HAND TURN ESCAPE PAD SWING GATE IS DEPICTED HEREIN. A LEFT HAND TURN ESCAPE PAD SWING GATE TO BE THE OPPOSITE OF THAT WHICH IS SHOWN.

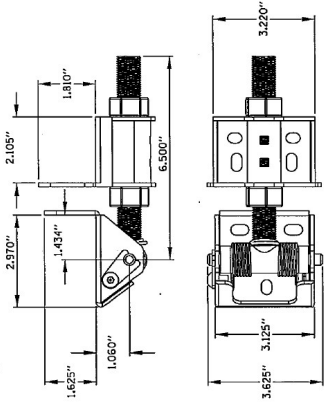
\* DETAILS SHOWN ON THIS PAGE ARE FOR INFORMATION ONLY - WORK TO BE DONE BY OTHERS.

ESCAPE PAD SWING GATE DETAILS (LOOKING TOWARD TRACK)  
NOT TO SCALE

SECTION E-E  
NOT TO SCALE

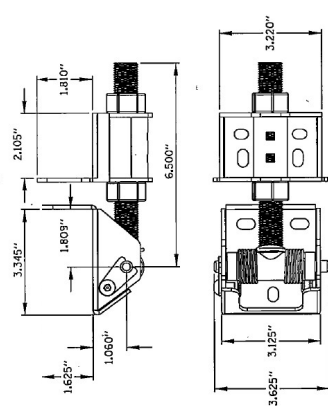
 LOGAN MULLER CIVIL ENGINEER 1000 N. WASHINGTON ST. CHICAGO, IL 60610	USER NAME: MODEL NAME: PROJECT: PLOT SCALE: PLOT DATE:	DESIGNED: DRAWN: CHECKED: DATE:	REVISED: REVISED: REVISED: REVISED:	SHEET NO. 14 TOTAL SHEETS 14
	STATE OF ILLINOIS DEPARTMENT OF TRANSPORTATION		DETAILS PEARL STREET	
SCALE: NTS		SHEET 3 OF 7 SHEETS		CONTRACT NO. 97789





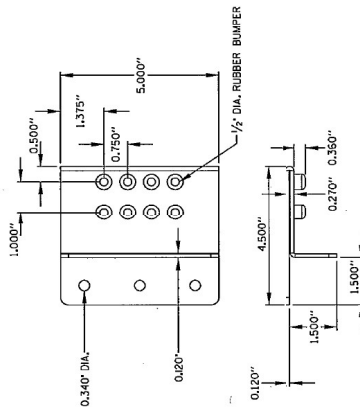
4 COMMERCIAL EMBASSY HINGE W/ SPRINGS DETAIL  
NOT TO SCALE

PROPRIETARY AND CONFIDENTIAL  
THE INFORMATION CONTAINED IN THIS DRAWING IS THE SOLE PROPERTY OF MODERN FENCE TECHNOLOGIES, ANY REPRODUCTION IN PART OR AS A WHOLE WITHOUT THE WRITTEN PERMISSION OF MODERN FENCE TECHNOLOGIES IS PROHIBITED.



5 GRAVITY EMBASSY HINGE W/ SPRINGS DETAIL  
NOT TO SCALE

PROPRIETARY AND CONFIDENTIAL  
THE INFORMATION CONTAINED IN THIS DRAWING IS THE SOLE PROPERTY OF MODERN FENCE TECHNOLOGIES, ANY REPRODUCTION IN PART OR AS A WHOLE WITHOUT THE WRITTEN PERMISSION OF MODERN FENCE TECHNOLOGIES IS PROHIBITED.

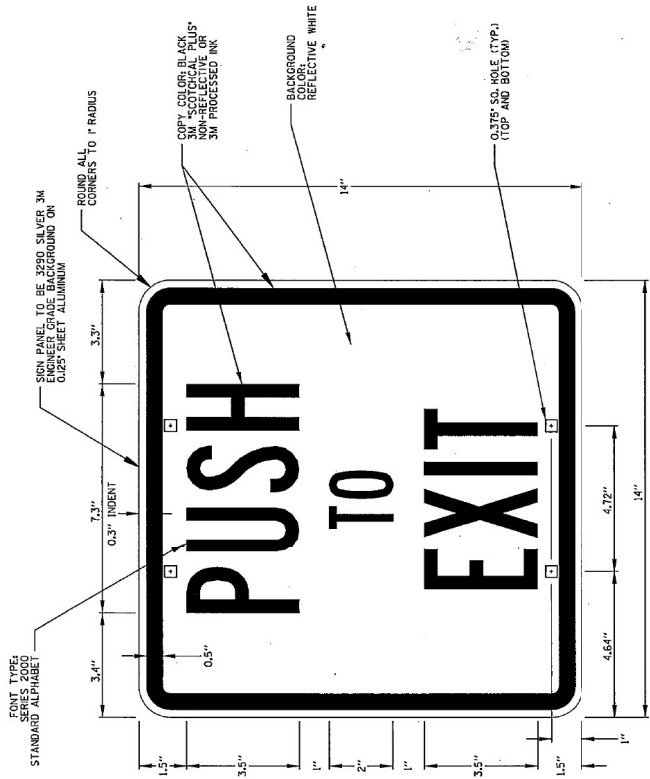


6 STEEL GATE STOP DETAIL  
NOT TO SCALE

PROPRIETARY AND CONFIDENTIAL  
THE INFORMATION CONTAINED IN THIS DRAWING IS THE SOLE PROPERTY OF MODERN FENCE TECHNOLOGIES, ANY REPRODUCTION IN PART OR AS A WHOLE WITHOUT THE WRITTEN PERMISSION OF MODERN FENCE TECHNOLOGIES IS PROHIBITED.

\* DETAILS SHOWN ON THIS PAGE ARE FOR INFORMATION ONLY - WORK TO BE DONE BY OTHERS.

	DESIGNED: CJW DRAWN: SA CHECKED: LWJ DATE:	REVISED: - REVISED: - REVISED: - REVISED: -	STATE OF ILLINOIS DEPARTMENT OF TRANSPORTATION		DETAILS PEARL STREET		SCALE: NTS	SHEET 4 OF 7 SHEETS
	PER: NAME: - MODEL: NAME: - FOOT: SCALE: - PLOT DATE: -	PROJECT: - DATE: -	COUNTY: MADISON SECTION: 1840002-025W CONTRACT NO.: 97789	F.A.C. NO.: 8853	SHEET NO.: 14	SHEET NO.: 11	E.P.C. NO.: 180-MD-000101	



1.0\"/>

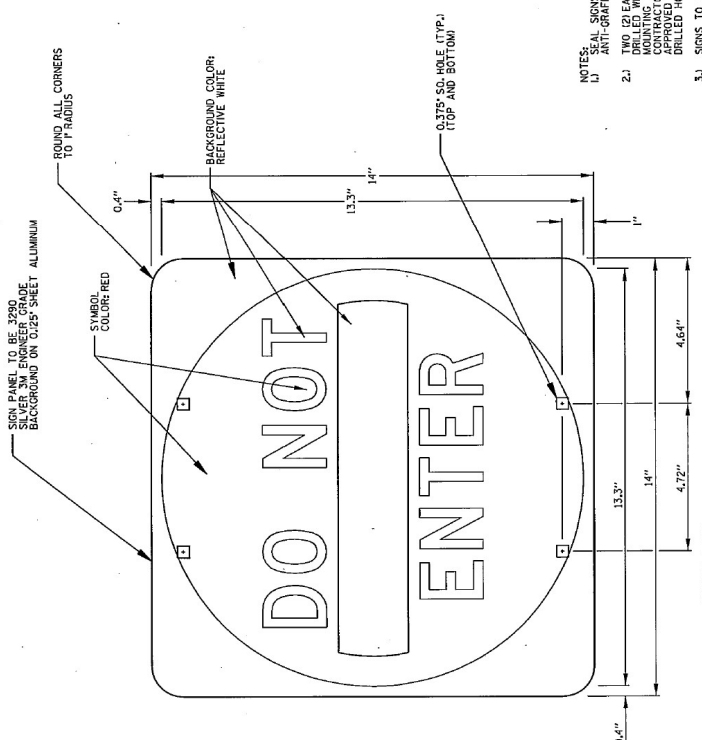
P	3.4	1.9	2.4	1.9	1.5	3.3
T	6.0	1.0	1.1	6.0		
E	4.1	1.6	2.1	0.9	1.3	4.0

H	4.1	1.6	2.1	0.9	1.3	4.0
I	6.0	1.0	1.1	6.0		
T	6.0	1.0	1.1	6.0		

S	4.1	1.6	2.1	0.9	1.3	4.0
H	6.0	1.0	1.1	6.0		
I	6.0	1.0	1.1	6.0		

- NOTES:
- 1.) SEAL SIGNS WITH "TRANSPARENT ANTI-GRAFFITI FILM"
  - 2.) TWO (2) EACH PICKETS TO BE DRILLED WITH 1/8\"/>

2. ESCAPE PAD SWING GATE SIGN (LOOKING TOWARD TRACK)  
NOT TO SCALE



RS-1 STD & MIN;  
1.0\"/>

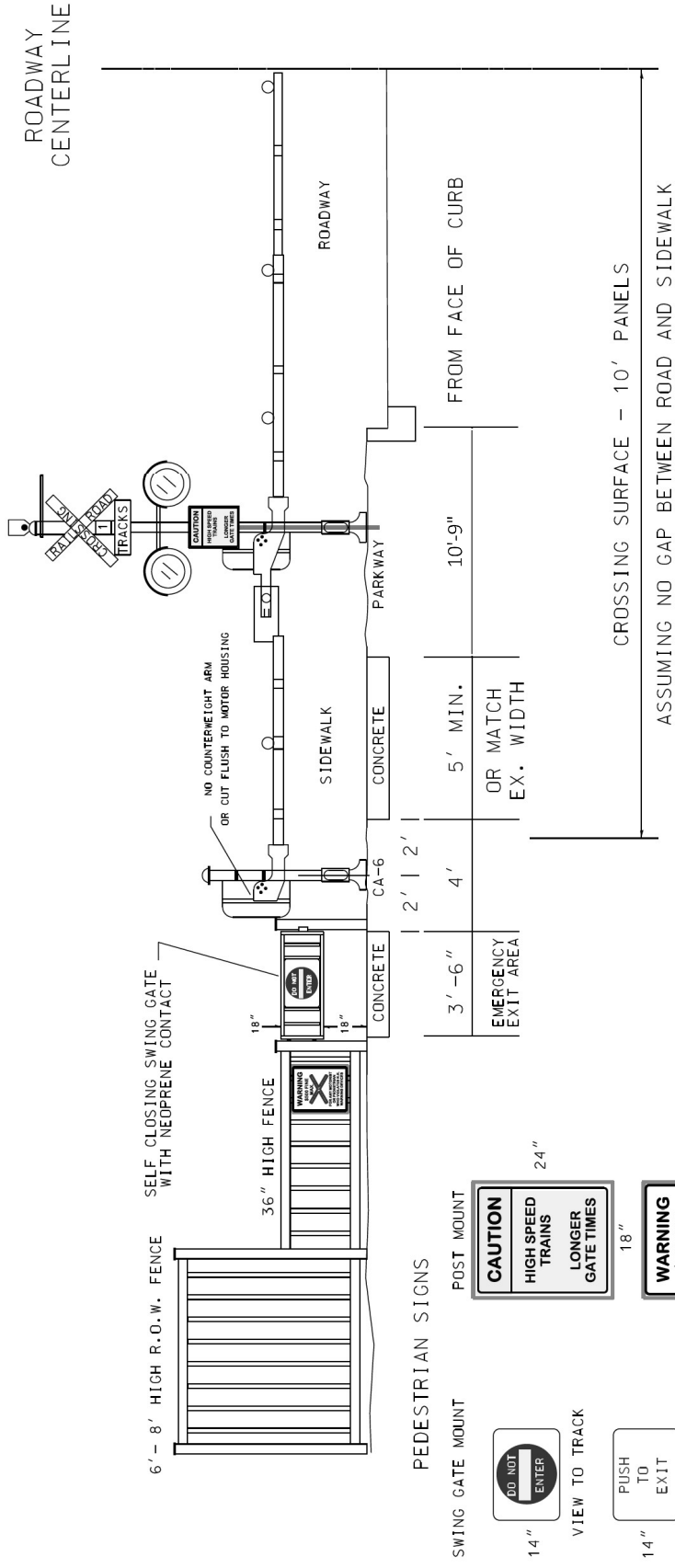
0.4	13.3	0.3
-----	------	-----

\* DETAILS SHOWN ON THIS PAGE ARE FOR INFORMATION ONLY - WORK TO BE DONE BY OTHERS.

3. ESCAPE PAD SWING GATE SIGN (LOOKING AWAY FROM TRACK)  
NOT TO SCALE

	PROJECT NO.: 17-000007-01 SHEET NO.: 4 OF 7	COUNTY: MADISON SECTION: 1940002-02-SW CONTRACT NO.: 97789						
	DESIGNED: CJW DRAWN: SA CHECKED: LWJ DATE:	REVISIONS: <table border="1"> <tr><td> </td><td> </td><td> </td><td> </td><td> </td><td> </td></tr> </table>						

# PEDESTRIAN VIEW AT EXIT GATE - TRAIN APPROACH CROSS SECTION (NTS)

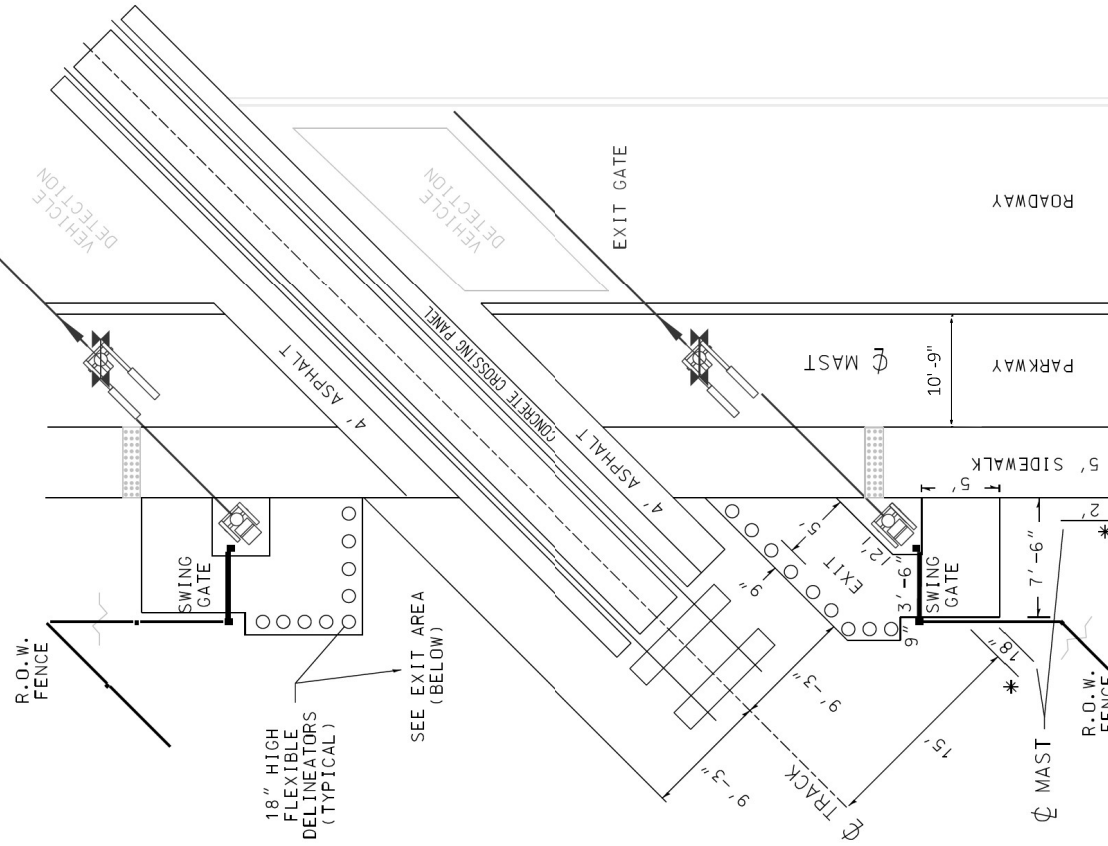


\* DETAILS SHOWN ON THIS PAGE  
ARE FOR INFORMATION ONLY -  
WORK TO BE DONE BY OTHERS.

 <small>LOGAN MULLER INC. 1000 W. 1000 S. MOUNTAIN VIEW, MO 64061</small>	USER NAME = jvw@dmr MODEL NAME = DETAIL-06 PROJECT NAME = 10100077-FR PROJECT DATE = 3/10/2022	DESIGNED: CJW DRAWN: SA CHECKED: LWJ DATE:	REVISED: - REVISED: - REVISED: - REVISED: -	STATE OF ILLINOIS DEPARTMENT OF TRANSPORTATION	DETAILS PEARL STREET	F.A.C. # 4853 COUNTY MADISON SECTION 19-00002-02-SW SHEET 6 OF 7 SHEETS	SHEET 14 SHEET 13 CONTRACT NO. 97789 ILL. JOB # 100-MD-000101
	SCALE: NTS						

CROSSING SKEW 45 TO 89 DEGREES

PLAN VIEW  
(NTS)



RECOMMENDED CONSTRUCTION SEQUENCE - WARNING DEVICES INSTALLED FIRST, PARALLEL TO TRACKS

1. LOCATE ROADWAY GATE 15 FT FROM CENTERLINE OF TRACK
2. CONDUIT (2) TO ACCOMMODATE ROADWAY AND PEDESTRIAN GATES
3. LAYOUT SIDEWALK
  - A. ALLOW CLEARANCE FROM ROADWAY COUNTERWEIGHTS AND ARMS
  - B. 4'-6" CENTERLINE FOUNDATION TO END OF COUNTERWEIGHTS
  - C. 18" CENTERLINE FOUNDATION TO OUTER ARMS
4. LOCATE PEDESTRIAN GATE 16'-6" FROM CENTERLINE OF TRACK
  - A. ALLOW CLEARANCE FOR GATE ARM BRACKET (24" FOUNDATION CENTERLINE TO SIDEWALK - TYPICAL)
  - B. LOCATE BACK OF MECHANISM/DOOR - 2' FROM FOUNDATION CENTERLINE
  - C. USE PEDESTRIAN GATE MECH WITHOUT COUNTERWEIGHT ARM, OR CUT FLUSH TO MOTOR HOUSING TO ELIMINATE CONFLICT WITH SWING GATE
  - D. INSTALL SONOTUBE FOR SWING GATE CONTACT POST TO ELIMINATE POTENTIAL DAMAGE TO SIGNAL CABLE DURING FENCE INSTALLATION
5. LAYOUT EXIT AREA: FRAME AND POUR SIDEWALK AND EXIT AREA
  - A. PROVIDE 3'-6" x 4' C&G "ISLAND"
  - B. \* USE CENTERLINE OF PED GATE MAST TO LOCATE EXIT EDGES \*
6. INSTALL SWING GATE MINIMIZING GAPS TO PED. GATE. ENSURE GATE HOUSING OPENS
7. INSTALL 18" DELINEATORS - TRACK SIDE EXIT AREA (IN 9" PERIMETER EXTENSION)
8. COMPLETE R/W FENCE AND CONNECTIONS TO SWING GATE
9. ADJUST HINGES AND GATE CLOSER TO ALLOW PROPER OPERATION
10. CHECK 16'-6" ALONG PEDESTRIAN GATE FROM TRACK CENTERLINE FOR PARALLEL

\* DETAILS SHOWN ON THIS PAGE ARE FOR INFORMATION ONLY - WORK TO BE DONE BY OTHERS.

REVISIONS REVISED - REVISED - REVISED - REVISED -		DESIGNED: CJW DRAWN: SA CHECKED: LWJ DATE:	PROJECT: 17-0835-010 SHEET: 14 TOTAL SHEETS: 14
PROJECT: 17-0835-010 SHEET: 14 TOTAL SHEETS: 14		COUNTY: MADISON SECTION: 1840002025W CONTRACT NO.: 97789	SHEET: 7 OF 7 SHEETS
STATE OF ILLINOIS DEPARTMENT OF TRANSPORTATION		DETAILS PEARL STREET	

**EXHIBIT B  
TO  
PUBLIC HIGHWAY AT-GRADE CROSSING AGREEMENT**

**SECTION 1. CONDITIONS AND COVENANTS**

A. The Railroad makes no covenant or warranty of title for quiet possession or against encumbrances. The Political Body shall not use or permit use of the Crossing Area for any purposes other than those described in this Agreement. Without limiting the foregoing, the Political Body shall not use or permit use of the Crossing Area for railroad purposes, or for gas, oil or gasoline pipe lines. Any lines constructed on the Railroad's property by or under authority of the Political Body for the purpose of conveying electric power or communications incidental to the Political Body's use of the property for highway purposes shall be constructed in accordance with specifications and requirements of the Railroad, and in such manner as not adversely to affect communication or signal lines of the Railroad or its licensees now or hereafter located upon said property. No nonparty shall be admitted by the Political Body to use or occupy any part of the Railroad's property without the Railroad's written consent. Nothing herein shall obligate the Railroad to give such consent.

B. The Railroad reserves the right to cross the Crossing Area with such railroad tracks as may be required for its convenience or purposes. In the event the Railroad shall place additional tracks upon the Crossing Area, the Political Body shall, at its sole cost and expense, modify the Roadway to conform with all tracks within the Crossing Area.

C. The right hereby granted is subject to any existing encumbrances and rights (whether public or private), recorded or unrecorded, and also to any renewals thereof. The Political Body shall not damage, destroy or interfere with the property or rights of nonparties in, upon or relating to the Railroad's property, unless the Political Body at its own expense settles with and obtains releases from such nonparties.

D. The Railroad reserves the right to use and to grant to others the right to use the Crossing Area for any purpose not inconsistent with the right hereby granted, including, but not by way of limitation, the right to construct, reconstruct, maintain, operate, repair, alter, renew and replace tracks, facilities and appurtenances on the property; and the right to cross the Crossing Area with all kinds of equipment.

E. So far as it lawfully may do so, the Political Body will assume, bear and pay all taxes and assessments of whatsoever nature or kind (whether general, local or special) levied or assessed upon or against the Crossing Area, excepting taxes levied upon and against the property as a component part of the Railroad's operating property.

F. If any property or rights other than the right hereby granted are necessary for the construction, maintenance and use of the Roadway and its appurtenances, or for the performance of any work in connection with the Project, the Political Body will acquire all such other property and rights at its own expense and without expense to the Railroad.

## **SECTION 2. CONSTRUCTION OF ROADWAY**

A. The Political Body, at its expense, will apply for and obtain all public authority required by law, ordinance, rule or regulation for the Project, and will furnish the Railroad upon request with satisfactory evidence that such authority has been obtained.

B. Except as may be otherwise specifically provided herein, the Political Body, at its expense, will furnish all necessary labor, material and equipment, and shall construct and complete the Roadway and all appurtenances thereof. The appurtenances shall include, without limitation, all necessary and proper highway warning devices (except those installed by the Railroad within its right of way) and all necessary drainage facilities, guard rails or barriers, and right of way fences between the Roadway and the railroad tracks. Upon completion of the Project, the Political Body shall remove from the Railroad's property all temporary structures and false work, and will leave the Crossing Area in a condition satisfactory to the Railroad.

C. All construction work of the Political Body upon the Railroad's property (including, but not limited to, construction of the Roadway and all appurtenances and all related and incidental work) shall be performed and completed in a manner satisfactory to the Assistant Vice President Engineering-Design of the Railroad or his authorized representative and in compliance with the Plans, and other guidelines furnished by the Railroad.

D. All construction work of the Political Body shall be performed diligently and completed within a reasonable time. No part of the Project shall be suspended, discontinued or unduly delayed without the Railroad's written consent, and subject to such reasonable conditions as the Railroad may specify. It is understood that the Railroad's tracks at and in the vicinity of the work will be in constant or frequent use during progress of the work and that movement or stoppage of trains, engines or cars may cause delays in the work of the Political Body. The Political Body hereby assumes the risk of any such delays and agrees that no claims for damages on account of any delay shall be made against the Railroad by the State and/or the Contractor.

## **SECTION 3. INJURY AND DAMAGE TO PROPERTY**

If the Political Body, in the performance of any work contemplated by this Agreement or by the failure to do or perform anything for which the Political Body is responsible under the provisions of this Agreement, shall injure, damage or destroy any property of the Railroad or of any other person lawfully occupying or using the property of the Railroad, such property shall be replaced or repaired by the Political Body at the

Political Body's own expense, or by the Railroad at the expense of the Political Body, and to the satisfaction of the Railroad's Assistant Vice President Engineering-Design.

**SECTION 4. RAILROAD MAY USE CONTRACTORS TO PERFORM WORK**

The Railroad may contract for the performance of any of its work by other than the Railroad forces. The Railroad shall notify the Political Body of the contract price within ninety (90) days after it is awarded. Unless the Railroad's work is to be performed on a fixed price basis, the Political Body shall reimburse the Railroad for the amount of the contract.

**SECTION 5. MAINTENANCE AND REPAIRS**

A. The Political Body shall, at its own sole expense, maintain, repair, and renew, or cause to be maintained, repaired and renewed, the entire Crossing Area and Roadway, except the portions between the track tie ends, which shall be maintained by the Railroad at the Political Body's expense.

B. If, in the future, the Political Body elects to have the surfacing material between the track tie ends, or between tracks if there is more than one railroad track across the Crossing Area, replaced with paving or some surfacing material other than timber planking, the Railroad, at the Political Body's expense, shall install such replacement surfacing, and in the future, to the extent repair or replacement of the surfacing is necessitated by repair or rehabilitation of the Railroad's tracks through the Crossing Area, the Political Body shall bear the expense of such repairs or replacement.

**SECTION 6. CHANGES IN GRADE**

If at any time the Railroad shall elect, or be required by competent authority to, raise or lower the grade of all or any portion of the track(s) located within the Crossing Area, the Political Body shall, at its own expense, conform the Roadway to conform with the change of grade of the trackage.

**SECTION 7. REARRANGEMENT OF WARNING DEVICES**

If the change or rearrangement of any warning device installed hereunder is necessitated for public or Railroad convenience or on account of improvements for either the Railroad, highway or both, the parties will apportion the expense incidental thereto between themselves by negotiation, agreement or by the order of a competent authority before the change or rearrangement is undertaken.

**SECTION 8. SAFETY MEASURES; PROTECTION OF RAILROAD COMPANY OPERATIONS**

It is understood and recognized that safety and continuity of the Railroad's operations and communications are of the utmost importance; and in order that the

same may be adequately safeguarded, protected and assured, and in order that accidents may be prevented and avoided, it is agreed with respect to all of said work of the Political Body that the work will be performed in a safe manner and in conformity with the following standards:

A. **Definitions.** All references in this Agreement to the Political Body shall also include the Contractor and their respective officers, agents and employees, and others acting under its or their authority; and all references in this Agreement to work of the Political Body shall include work both within and outside of the Railroad's property.

B. **Entry on to Railroad's Property by Political Body.** If the Political Body's employees need to enter Railroad's property in order to perform an inspection of the Roadway, minor maintenance or other activities, the Political Body shall first provide at least ten (10) working days advance notice to the Railroad Representative. With respect to such entry on to Railroad's property, the Political Body, to the extent permitted by law, agrees to release, defend and indemnify the Railroad from and against any loss, damage, injury, liability, claim, cost or expense incurred by any person including, without limitation, the Political Body's employees, or damage to any property or equipment (collectively the "Loss") that arises from the presence or activities of Political Body's employees on Railroad's property, except to the extent that any Loss is caused by the sole direct negligence of Railroad.

C. **Flagging.**

(i) If the Political Body's employees need to enter Railroad's property as provided in Paragraph B above, the Political Body agrees to notify the Railroad Representative at least thirty (30) working days in advance of proposed performance of any work by Political Body in which any person or equipment will be within twenty-five (25) feet of any track, or will be near enough to any track that any equipment extension (such as, but not limited to, a crane boom) will reach to within twenty-five (25) feet of any track. No work of any kind shall be performed, and no person, equipment, machinery, tool(s), material(s), vehicle(s), or thing(s) shall be located, operated, placed, or stored within twenty-five (25) feet of any of Railroad's track(s) at any time, for any reason, unless and until a Railroad flagman is provided to watch for trains. Upon receipt of such thirty (30) day notice, the Railroad Representative will determine and inform Political Body whether a flagman need be present and whether Political Body needs to implement any special protective or safety measures. If flagging or other special protective or safety measures are performed by Railroad, Railroad will bill Political Body for such expenses incurred by Railroad. If Railroad performs any flagging, or other special protective or safety measures are performed by Railroad, Political Body agrees that Political Body is not relieved of any of its responsibilities or liabilities set forth in this Agreement.

(ii) The rate of pay per hour for each flagman will be the prevailing hourly rate in effect for an eight-hour day for the class of flagmen used during regularly assigned hours and overtime in accordance with Labor Agreements and Schedules in effect at the time the work is performed. In addition to the cost of such labor, a composite charge for



vacation, holiday, health and welfare, supplemental sickness, Railroad Retirement and unemployment compensation, supplemental pension, Employees Liability and Property Damage and Administration will be included, computed on actual payroll. The composite charge will be the prevailing composite charge in effect at the time the work is performed. One and one-half times the current hourly rate is paid for overtime, Saturdays and Sundays, and two and one-half times current hourly rate for holidays. Wage rates are subject to change, at any time, by law or by agreement between Railroad and its employees, and may be retroactive as a result of negotiations or a ruling of an authorized governmental agency. Additional charges on labor are also subject to change. If the wage rate or additional charges are changed, Political Body shall pay on the basis of the new rates and charges.

(iii) Reimbursement to Railroad will be required covering the full eight-hour day during which any flagman is furnished, unless the flagman can be assigned to other Railroad work during a portion of such day, in which event reimbursement will not be required for the portion of the day during which the flagman is engaged in other Railroad work. Reimbursement will also be required for any day not actually worked by the flagman following the flagman's assignment to work on the project for which Railroad is required to pay the flagman and which could not reasonably be avoided by Railroad by assignment of such flagman to other work, even though Political Body may not be working during such time. When it becomes necessary for Railroad to bulletin and assign an employee to a flagging position in compliance with union collective bargaining agreements, Political Body must provide Railroad a minimum of five (5) days notice prior to the cessation of the need for a flagman. If five (5) days notice of cessation is not given, Political Body will still be required to pay flagging charges for the five (5) day notice period required by union agreement to be given to the employee, even though flagging is not required for that period. An additional thirty (30) days notice must then be given to Railroad if flagging services are needed again after such five day cessation notice has been given to Railroad.

D. **Compliance With Laws.** The Political Body shall comply with all applicable federal, state and local laws, regulations and enactments affecting the work. The Political Body shall use only such methods as are consistent with safety, both as concerns the Political Body, the Political Body's agents and employees, the officers, agents, employees and property of the Railroad and the public in general. The Political Body (without limiting the generality of the foregoing) shall comply with all applicable state and federal occupational safety and health acts and regulations. All Federal Railroad Administration regulations shall be followed when work is performed on the Railroad's premises. If any failure by the Political Body to comply with any such laws, regulations, and enactments, shall result in any fine, penalty, cost or charge being assessed, imposed or charged against the Railroad, the Political Body shall reimburse, and to the extent it may lawfully do so, indemnify the Railroad for any such fine, penalty, cost, or charge, including without limitation attorney's fees, court costs and expenses. The Political Body further agrees in the event of any such action, upon notice thereof being provided by the Railroad, to defend such action free of cost, charge, or expense to the Railroad.

E. **No Interference or Delays.** The Political Body shall not do, suffer or permit anything which will or may obstruct, endanger, interfere with, hinder or delay maintenance or operation of the Railroad's tracks or facilities, or any communication or signal lines, installations or any appurtenances thereof, or the operations of others lawfully occupying or using the Railroad's property or facilities.

F. **Supervision.** The Political Body, at its own expense, shall adequately police and supervise all work to be performed by the Political Body, and shall not inflict injury to persons or damage to property for the safety of whom or of which the Railroad may be responsible, or to property of the Railroad. The responsibility of the Political Body for safe conduct and adequate policing and supervision of the Project shall not be lessened or otherwise affected by the Railroad's approval of plans and specifications, or by the Railroad's collaboration in performance of any work, or by the presence at the work site of the Railroad's representatives, or by compliance by the Political Body with any requests or recommendations made by such representatives. If a representative of the Railroad is assigned to the Project, the Political Body will give due consideration to suggestions and recommendations made by such representative for the safety and protection of the Railroad's property and operations.

G. **Suspension of Work.** If at any time the Political Body's engineers or the Vice President-Engineering Services of the Railroad or their respective representatives shall be of the opinion that any work of the Political Body is being or is about to be done or prosecuted without due regard and precaution for safety and security, the Political Body shall immediately suspend the work until suitable, adequate and proper protective measures are adopted and provided.

H. **Removal of Debris.** The Political Body shall not cause, suffer or permit material or debris to be deposited or cast upon, or to slide or fall upon any property or facilities of the Railroad; and any such material and debris shall be promptly removed from the Railroad's property by the Political Body at the Political Body's own expense or by the Railroad at the expense of the Political Body. The Political Body shall not cause, suffer or permit any snow to be plowed or cast upon the Railroad's property during snow removal from the Crossing Area.

I. **Explosives.** The Political Body shall not discharge any explosives on or in the vicinity of the Railroad's property without the prior consent of the Railroad's Vice President-Engineering Services, which shall not be given if, in the sole discretion of the Railroad's Vice President-Engineering Services, such discharge would be dangerous or would interfere with the Railroad's property or facilities. For the purposes hereof, the "vicinity of the Railroad's property" shall be deemed to be any place on the Railroad's property or in such close proximity to the Railroad's property that the discharge of explosives could cause injury to the Railroad's employees or other persons, or cause damage to or interference with the facilities or operations on the Railroad's property. The Railroad reserves the right to impose such conditions, restrictions or limitations on the transportation, handling, storage, security and use of explosives as the Railroad, in the Railroad's sole discretion, may deem to be necessary, desirable or appropriate.

J. **Excavation.** The Political Body shall not excavate from existing slopes nor construct new slopes which are excessive and may create hazards of slides or falling rock, or impair or endanger the clearance between existing or new slopes and the tracks of the Railroad. The Political Body shall not do or cause to be done any work which will or may disturb the stability of any area or adversely affect the Railroad's tracks or facilities. The Political Body, at its own expense, shall install and maintain adequate shoring and cribbing for all excavation and/or trenching performed by the Political Body in connection with construction, maintenance or other work. The shoring and cribbing shall be constructed and maintained with materials and in a manner approved by the Railroad's Assistant Vice President Engineering - Design to withstand all stresses likely to be encountered, including any stresses resulting from vibrations caused by the Railroad's operations in the vicinity.

K. **Drainage.** The Political Body, at the Political Body's own expense, shall provide and maintain suitable facilities for draining the Roadway and its appurtenances, and shall not suffer or permit drainage water therefrom to flow or collect upon property of the Railroad. The Political Body, at the Political Body's own expense, shall provide adequate passageway for the waters of any streams, bodies of water and drainage facilities (either natural or artificial, and including water from the Railroad's culvert and drainage facilities), so that said waters may not, because of any facilities or work of the Political Body, be impeded, obstructed, diverted or caused to back up, overflow or damage the property of the Railroad or any part thereof, or property of others. The Political Body shall not obstruct or interfere with existing ditches or drainage facilities.

L. **Notice.** Before commencing any work, the Political Body shall provide the advance notice to the Railroad that is required under the Contractor's Right of Entry Agreement.

M. **Fiber Optic Cables.** Fiber optic cable systems may be buried on the Railroad's property. Protection of the fiber optic cable systems is of extreme importance since any break could disrupt service to users resulting in business interruption and loss of revenue and profits. Political Body shall visit [up.com/CBUD](http://up.com/CBUD) to complete and submit the required form to determine if fiber optic cable is buried anywhere on Railroad's property to be used by the Political Body. If it is, Political Body will telephone the telecommunications company(ies) involved, arrange for a cable locator, and make arrangements for relocation or other protection of the fiber optic cable prior to beginning any work on the Railroad's premises.

## **SECTION 9. INTERIM WARNING DEVICES**

If at anytime it is determined by a competent authority, by the Political Body, or by agreement between the parties, that new or improved train activated warning devices should be installed at the Crossing Area, the Political Body shall install adequate temporary warning devices or signs and impose appropriate vehicular control measures to protect the motoring public until the new or improved devices have been installed.

## **SECTION 10. OTHER RAILROADS**

All protective and indemnifying provisions of this Agreement shall inure to the benefit of the Railroad and any other railroad company lawfully using the Railroad's property or facilities.

## **SECTION 11. BOOKS AND RECORDS**

The books, papers, records and accounts of Railroad, so far as they relate to the items of expense for the materials to be provided by Railroad under this Project, or are associated with the work to be performed by Railroad under this Project, shall be open to inspection and audit at Railroad's offices in Omaha, Nebraska, during normal business hours by the agents and authorized representatives of Political Body for a period of three (3) years following the date of Railroad's last billing sent to Political Body.

## **SECTION 12. REMEDIES FOR BREACH OR NONUSE**

A. If the Political Body shall fail, refuse or neglect to perform and abide by the terms of this Agreement, the Railroad, in addition to any other rights and remedies, may perform any work which in the judgment of the Railroad is necessary to place the Roadway and appurtenances in such condition as will not menace, endanger or interfere with the Railroad's facilities or operations or jeopardize the Railroad's employees; and the Political Body will reimburse the Railroad for the expenses thereof.

B. Nonuse by the Political Body of the Crossing Area for public highway purposes continuing at any time for a period of eighteen (18) months shall, at the option of the Railroad, work a termination of this Agreement and of all rights of the Political Body hereunder.

C. The Political Body will surrender peaceable possession of the Crossing Area and Roadway upon termination of this Agreement. Termination of this Agreement shall not affect any rights, obligations or liabilities of the parties, accrued or otherwise, which may have arisen prior to termination.

## **SECTION 13. MODIFICATION - ENTIRE AGREEMENT**

No waiver, modification or amendment of this Agreement shall be of any force or effect unless made in writing, signed by the Political Body and the Railroad and specifying with particularity the nature and extent of such waiver, modification or amendment. Any waiver by the Railroad of any default by the Political Body shall not affect or impair any right arising from any subsequent default. This Agreement and Exhibits attached hereto and made a part hereof constitute the entire understanding between the Political Body and the Railroad and cancel and supersede any prior negotiations, understandings or agreements, whether written or oral, with respect to the work or any part thereof.

Public Highway At-Grade Crossing 03/01/13  
Standard Form Approved, AVP-Law

**EXHIBIT C  
TO  
PUBLIC HIGHWAY AT-GRADE CROSSING AGREEMENT**

**Exhibit C** (if applicable) will be Railroad's Material and Force Agreement Estimates.

# Material and Labor Force Account Estimate

## IDOT

Estimate Number: 144172    Version: 1

Standard Rates:      Labor Additive = 148.69%

Estimate Good Until 06/01/24

Location: SPRINGFIELD SUB, NO 1, 251.98-252.02

Description of Work: 294428V Pearl St Godfrey IL 252.02 Springfield Sub

Prepared For: IDOT

Buy America: Yes

COMMENTS	FACILITY	Description	QTY	UOM	UCST	LABOR	MATERIAL	TOTAL	UP %0	Agcy %100	
<b>ENGINEERING</b>											
		Engineering	1	LS	6,388.00	6,388	0	6,388	0	6,388	
		Bill Prep Fee - Track Surface RECOLLECT	1	LS	900.00	0	900	900	0	900	
		Homeline Freight - Track Surface RECOLLECT	1	LS	900.00	0	900	900	0	900	
		Foreign Line Freight - Track Surface RECOLLECT	1	LS	570.84	0	571	571	0	571	
<b>Sub-Total =</b>						<b>6,388</b>	<b>2,371</b>	<b>8,759</b>	<b>0</b>	<b>8,759</b>	
<b>TRACK CONSTRUCTION - COMPANY</b>											
		Mobilization: Company	1	DA	11,450.00	11,450	0	11,450	0	11,450	
	RDXING	RDXING 136# CON10W W/ TIES, NO RAIL	48	TF	626.96	12,154	17,940	30,094	0	30,094	
	BALAST	BALAST CL1	1	CL	2,038.31	737	1,301	2,038	0	2,038	
<b>Sub-Total =</b>						<b>24,342</b>	<b>19,241</b>	<b>43,583</b>	<b>0</b>	<b>43,583</b>	
<b>EQUIPMENT RENTAL</b>											
		Equipment Rental	1	LS	7,500.00	0	7,500	7,500	0	7,500	
<b>Sub-Total =</b>						<b>0</b>	<b>7,500</b>	<b>7,500</b>	<b>0</b>	<b>7,500</b>	
<b>Total Wgt. in Tons = 152</b>						<b>Totals =</b>	<b>30,730</b>	<b>29,112</b>	<b>59,841</b>	<b>0</b>	<b>59,841</b>

**Grand Total =**
**\$59,841**

Please Note: The above figures are estimates only and are subject to fluctuation. In the event of an increase or decrease in the cost or amount of material or labor required, IDOT will pay actual construction costs at the current rates effective thereof.

**ICC**

Estimate Creation Date: 8/11/2023 Number: 145250 Version: 1

**Estimate Good Until 08/11/24**

**Location: SPRINGFIELD SUB, SIMN, 189-206.02**

**Buy America: Yes**

**Description of Work: GODFREY, IL, PEARL STREET, M.P. 252.02, SPRINGFIELD SUBDIVISION, DOT# 294428V, CAN WO# 53148, PID# 114757, (100% RECOLLECTABLE)**

COMMENTS	Description	QTY	UOM	Unit Cost	LABOR	MATERIAL	TOTAL
<b>SIGNAL</b>							
	Xing - Engineering Design	1	LS	7,956.00	7,956	0	7,956
M.P. 252.01 - PEARL STREET	Xing - Pedestrian Gates (pair)	1	EA	57,283.00	22,393	34,890	57,283
M.P. 252.01 - PEARL STREET	Xing - Relocate Narrow Band Shunt	2	EA	5,228.00	4,698	5,758	10,456
	Xing - Meter Service	1	LS	5,000.00	0	5,000	5,000
	Xing - Fill/Rock/Gravel	1	LS	10,000.00	0	10,000	10,000
	Xing - Boring	1	LS	30,000.00	0	30,000	30,000
CONTRACT FLAGGING	Xing - Misc.	1	LS	15,000.00	0	15,000	15,000
EQUIPMENT RENTAL	Xing - Misc.	1	LS	25,000.00	0	25,000	25,000
PPEC PROJ MGMNT	Xing - Misc.	1	LS	10,000.00	0	10,000	10,000
	Gang Day - 5 Man	2	EA	7,500.00	15,000	0	15,000
FEDERAL W/O 113.90% (SIG)	Xing - Labor Additive	1	LS	67,854.06	67,854	0	67,854

**Sub-Total = 117,901 135,648 253,549**

**Totals = 117,901 135,648 253,549**

**Grand Total = \$253,549**

**This is a preliminary estimate, intended to provide a ballpark cost to determine whether a proposed project warrants further study. This estimate is not to be used for budget authority. Quantities and costs are estimated using readily available information and experience with similar projects. Site conditions and changes in project scope and design may result in significant cost variance.**

**AREMA UNIT STATEMENT OF RAILROAD HIGHWAY GRADE CROSSING SIGNALS  
ESTIMATED MAINTENANCE COSTS**



**FOR PID # 114757  
BY THE UNION PACIFIC RAILROAD**

<b>STREET</b>	<b>PEARL STREET</b>
<b>TOWN</b>	<b>GODFREY, IL</b>
<b>MILEPOST</b>	<b>252.02</b>
<b>SUBDIVISION</b>	<b>SPRINGFIELD</b>
<b>AAR/DOT NO.</b>	<b>294428V</b>
<b>WORK ORDER#</b>	<b>CAN# 53148</b>

<b>DESCRIPTION</b>	<b>VALUE</b>	<b>QUANTITY</b>	<b>UNITS</b>
<b>NON-CODED TRK. CIRCUIT (Standalone AFTAC or Ring 10)</b>	2	0	0
<b>SUPERIMPOSED CIRCUIT(AFTAC) / DETECTION LOOP</b>	2	0	0
<b>HIGHWAY GRADE CROSSING SIGNAL (FRONT LIGHTS)</b>	2	4	8
<b>ADDITIONAL PAIR OF LIGHTS (OTHER THAN FRONT LIGHTS)</b>	1	6	6
<b>GATE MECHANISM, AUTOMATIC WITH ARM UP TO 26 FT</b>	8	4	32
<b>GATE MECHANISM, AUTOMATIC WITH ARM OVER 26 FT</b>	10	0	0
<b>GCP/HXP (constant warning device, per track circuit)</b>	15	6	90
<b>EXIT GATE MANAGEMENT SYSTEM RACK*</b>	10	1	10
<b>MOVEMENT DETECTOR (PMD)</b>	6	0	0
<b>MOVEMENT DETECTOR (STANDBY UNIT)</b>	3	0	0
<b>RADIO DATA LINK, PER UNIT</b>	1	0	0
<b>PREEMPTION CIRCUIT</b>	2	0	0
<b>DATA RECORDER</b>	1	0	0
<b>REMOTE MONITORING DEVICE (SEAR, ETC)*</b>	2	1	2
<b>BONDED RAIL JOINTS (per mile, each rail, single bonded)</b>	1	0	0
<b>BATTERY AND CHARGER (per set)</b>	1	2	0
<b>TOTAL UNIT COUNT</b>			<b>148</b>
<b>PAVEMENT RESTORATION COSTS</b>			<b>(Actual)</b>
	<b>Annual Maintenance Cost at \$278.25/Unit</b>		<b>\$41,181</b>

\*UP supplied Unit Value



Contractor's Right of Entry Public  
Projects Form Approved 02/09/2022

**EXHIBIT D  
TO  
PUBLIC HIGHWAY AT-GRADE CROSSING AGREEMENT**

**CONTRACTOR'S  
RIGHT OF ENTRY AGREEMENT**

**THIS AGREEMENT** is made and entered into as of the \_\_\_\_\_ day of \_\_\_\_\_, 20\_\_\_\_\_, by and between **UNION PACIFIC RAILROAD COMPANY**, a Delaware corporation ("Railroad"); and \_\_\_\_\_, a \_\_\_\_\_ corporation ("Contractor").

**RECITALS:**

Contractor has been hired by \_\_\_\_\_ to perform work relating to \_\_\_\_\_ (the "Work") with all or a portion of such Work to be performed on property of Railroad in the vicinity of Railroad's Milepost \_\_\_\_\_ on Railroad's \_\_\_\_\_ [Subdivision or Branch] [at or near DOT No. \_\_\_\_\_] located at or near \_\_\_\_\_, in \_\_\_\_\_ County, State of \_\_\_\_\_, as such location is in the general location shown on the print marked **Exhibit A**, attached hereto and hereby made a part hereof, which Work is the subject of a contract dated \_\_\_\_\_ between Railroad and \_\_\_\_\_.

Railroad is willing to permit Contractor to perform the Work described above at the location described above subject to the terms and conditions contained in this agreement

**AGREEMENT:**

**NOW, THEREFORE**, it is mutually agreed by and between Railroad and Contractor, as follows:

**ARTICLE 1 - DEFINITION OF CONTRACTOR.**

For purposes of this agreement, all references in this agreement to Contractor shall include Contractor's contractors, subcontractors, officers, agents and employees, and others acting under its or their authority. For purposes of clarity, Contractor agrees that any CIC (defined below) hired by Contractor is a subcontractor of Contractor and therefore included in the defined term Contractor pursuant to the foregoing sentence.

**ARTICLE 2 - RIGHT GRANTED: PURPOSE.**

Railroad hereby grants to Contractor the right, during the term hereinafter stated and upon and subject to each and all of the terms, provisions and conditions herein contained, to enter upon and have ingress to and egress from the property described in the Recitals for the purpose of performing the Work described in the Recitals above. The right herein granted to Contractor is limited to those portions of Railroad's property specifically described herein, or as designated by the Railroad Representatives named in Article 4.

**ARTICLE 3 - TERMS AND CONDITIONS CONTAINED IN EXHIBITS B AND C.**

The terms and conditions contained in **Exhibit B** and **Exhibit C**, attached hereto, are hereby made a part of this agreement.

Contractor's Right of Entry Public  
Projects Form Approved 02/09/2022

**ARTICLE 4 - ALL EXPENSES TO BE BORNE BY CONTRACTOR: RAILROAD REPRESENTATIVES.**

A. Contractor shall bear any and all costs and expenses associated with any Work performed by Contractor (including without limitation any CIC), or any costs or expenses incurred by Railroad relating to this agreement.

B. Contractor shall coordinate all of its Work with the following Railroad representatives or their duly authorized representative (the "Railroad Representatives"):

MTM: \_\_\_\_\_  
\_\_\_\_\_  
\_\_\_\_\_  
\_\_\_\_\_

PM: \_\_\_\_\_  
\_\_\_\_\_  
\_\_\_\_\_  
\_\_\_\_\_

C. Contractor, at its own expense, shall adequately police and supervise all Work to be performed by Contractor and shall ensure that such Work is performed in a safe manner as set forth in Section 7 of **Exhibit B**. The responsibility of Contractor for safe conduct and adequate policing and supervision of Contractor's Work shall not be lessened or otherwise affected by Railroad's approval of plans and specifications involving the Work, or by Railroad's collaboration in performance of any Work, or by the presence at the Work site of a Railroad Representative, or by compliance by Contractor with any requests or recommendations made by Railroad Representative.

**ARTICLE 5 - SCHEDULE OF WORK ON A MONTHLY BASIS.**

The Contractor, at its expense, shall provide on a monthly basis a detailed schedule of Work to the Railroad Representative named in Article 4B above. The reports shall start at the execution of this agreement and continue until this agreement is terminated as provided in this agreement or until the Contractor has completed all Work on Railroad's property.

**ARTICLE 6 - TERM: TERMINATION.**

A. The grant of right herein made to Contractor shall commence on the date of this agreement, and continue until \_\_\_\_\_, unless sooner terminated as herein provided, or at such time as Contractor has completed its Work on Railroad's property, whichever is earlier. Contractor agrees to notify the Railroad Representative in writing when it has completed its Work on Railroad's property.

B. This agreement may be terminated by either party on ten (10) days written notice to the other party.

**ARTICLE 7 - CERTIFICATE OF INSURANCE.**

A. Before commencing any Work and throughout the entire term of this Agreement, Contractor, at its expense, shall procure and maintain in full force and effect the types and minimum limits of insurance specified in **Exhibit C** of this agreement and require each of its subcontractors to include the insurance endorsements as required under Section 12 of **Exhibit B** of this agreement.

B. Not more frequently than once every two (2) years, Railroad may reasonably modify the required insurance coverage to reflect then-current risk management practices in the railroad industry and underwriting practices in the insurance industry.

C. Upon request of Railroad, Contractor shall provide to Railroad a certificate issued by its insurance carrier evidencing the insurance coverage required under **Exhibit B**.

D. Contractor understands and accepts that the terms of this Article are wholly separate from and independent of the terms of any indemnity provisions contained in this Agreement.

Contractor's Right of Entry Public  
Projects Form Approved 02/09/2022

E. Upon request of Railroad, insurance correspondence, binders, policies, certificates and endorsements shall be sent to:

Union Pacific Railroad Company

\_\_\_\_\_  
[Insert mailing address]

\_\_\_\_\_  
Attn: \_\_\_\_\_

Project No. 0768824

**ARTICLE 8 - PRECONSTRUCTION MEETING.**

If the Work to be performed by the Contractor will involve the Railroad providing any flagging protection (or if a CIC is approved to provide flagging protection pursuant to the terms set forth herein) and/or there is separate work to be performed by the Railroad, the Contractor confirms that no work shall commence until the Railroad and Contractor participate in a preconstruction meeting involving flagging procedures and coordination of work activities of the Contractor and the Railroad (and any CIC, as applicable.) Union Pacific's Third Party Flagging Policy at the link provided here: [www.up.com/flagging](http://www.up.com/flagging)

**ARTICLE 9. DISMISSAL OF CONTRACTOR'S EMPLOYEE.**

At the request of Railroad, Contractor shall remove from Railroad's property any employee of Contractor who fails to conform to the instructions of the Railroad Representative in connection with the Work on Railroad's property, and any right of Contractor shall be suspended until such removal has occurred. Contractor shall indemnify Railroad against any claims arising from the removal of any such employee from Railroad's property.

**ARTICLE 10. ADMINISTRATIVE FEE.**

Upon the execution and delivery of this agreement, Contractor shall pay to Railroad One Thousand Twenty Five Dollars (\$1,025.00) as reimbursement for clerical, administrative and handling expenses in connection with the processing of this agreement.

**ARTICLE 11. CROSSINGS: COMPLIANCE WITH MUTCD AND FRA GUIDELINES.**

A. No additional vehicular crossings (including temporary haul roads) or pedestrian crossings over Railroad's trackage shall be installed or used by Contractor without the prior written permission of Railroad.

B. Any permanent or temporary changes, including temporary traffic control, to crossings must conform to the Manual of Uniform Traffic Control Devices (MUTCD) and any applicable Federal Railroad Administration rules, regulations and guidelines, and must be reviewed by the Railroad prior to any changes being implemented. In the event the Railroad is found to be out of compliance with federal safety regulations due to the Contractor's modifications, negligence, or any other reason arising from the Contractor's presence on the Railroad's property, the Contractor agrees to assume liability for any civil penalties imposed upon the Railroad for such noncompliance.

**ARTICLE 12.- EXPLOSIVES.**

Explosives or other highly flammable substances shall not be stored or used on Railroad's property without the prior written approval of Railroad.

Contractor's Right of Entry Public  
Projects Form Approved 02/09/2022

**IN WITNESS WHEREOF**, the parties hereto have duly executed this agreement in duplicate as of the date first herein written.

**UNION PACIFIC RAILROAD COMPANY**

By: \_\_\_\_\_

Title: \_\_\_\_\_

\_\_\_\_\_  
(Name of Contractor)

By: \_\_\_\_\_

Name: \_\_\_\_\_

Title: \_\_\_\_\_

Phone: \_\_\_\_\_

E-Mail: \_\_\_\_\_

**EXHIBIT A**  
**TO**  
**CONTRACTOR'S RIGHT OF ENTRY AGREEMENT**

Exhibit A will be a print showing the general location of the work site.

# "EXHIBIT A"

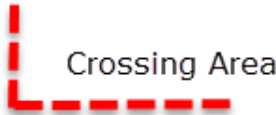
PART OF THE NORTH HALF OF SECTION 23, TOWNSHIP 6 NORTH, RANGE 18 WEST  
OF THE THIRD PRINCIPAL MERIDIAN, MADISON COUNTY, ILLINOIS

KANSAS CITY SOUTHERN RAILWAY CO.  
& UNION PACIFIC RAILROAD  
PARCEL I.D. NO.  
24-1-01-23-03-303-906

- ① S89°06'54"W, 32.68'
- ② 22+92.34, 29.62
- ③ N01°23'41"W, 8.39'
- ④ 22+92.30, 38.01
- ⑤ S88°43'14"W, 3.88'
- ⑥ 21+69.00, 25.00
- ⑦ S12°08'39"W, 7.20'
- ⑧ 21+67.35, 18.00
- ⑨ N88°43'14"E, 7.95'
- ⑩ 21+75.30, 18.00
- ⑪ N50°55'46"E, 8.16'
- ⑫ N89°06'54"E, 49.22'
- ⑬ N12°09'58"E, 9.07'
- ⑭ 23+29.86, 31.33
- ⑮ N89°21'18"E, 11.02'

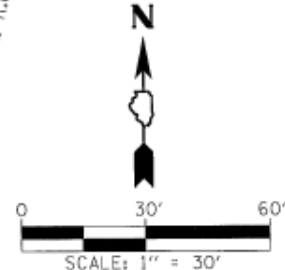


LEGEND



WE, CIVIL DESIGN, INC., HEREBY CERTIFY THAT THIS IS AN ACCURATE EXHIBIT OF A PORTION OF ROADWAY KNOWN AS PEARL STREET, WITHIN THE VILLAGE OF GODFREY ILLINOIS, AS LOCATED AND SURVEYED FOR IMPROVEMENT.

*Daniel J. Holland* 1/20/2021  
DANIEL J. HOLLAND  
ILLINOIS PROFESSIONAL LAND SURVEYOR \*035-3907  
LICENSE EXPIRES 11/30/2022



BASIS OF BEARING IS THE ILLINOIS STATE PLANE COORDINATE SYSTEM WEST ZONE (NAD 83)

KANSAS CITY SOUTHERN RAILWAY CO.  
& UNION PACIFIC RAILROAD  
PERMANENT EASEMENT = 0.032 ACRES (1,380 SF)

VILLAGE OF GODFREY RIGHT-OF-WAY  
MADISON COUNTY, IL



5220 OAKLAND AVE  
ST. LOUIS, MO 63110  
314.863.5570  
IL DESIGN FIRM # 184.003222

**EXHIBIT B**  
**TO**  
**CONTRACTOR'S RIGHT OF ENTRY AGREEMENT**

**Section 1. NOTICE OF COMMENCEMENT OF WORK - RAILROAD FLAGGING - PRIVATE FLAGGING.**

A. Contractor agrees to notify the Railroad Representative at least ten (10) working days in advance of Contractor commencing its Work and at least thirty (30) working days in advance of proposed performance of any Work by Contractor in which any person or equipment will be within twenty-five (25) feet of any track, or will be near enough to any track that any equipment extension (such as, but not limited to, a crane boom) will reach to within twenty-five (25) feet of any track.

B. No work of any kind shall be performed, and no person, equipment, machinery, tool(s), material(s), vehicle(s), or thing(s) shall be located, operated, placed, or stored within twenty-five (25) feet of any of Railroad's track(s) at any time, for any reason, unless and until a Railroad approved flagman is provided to watch for trains. Upon receipt of such thirty (30)-day notice, the Railroad Representative will determine and inform Contractor whether a flagman need be present and whether Contractor needs to implement any special protective or safety measures.

C. Contractor shall be permitted to hire a private contractor to perform flagging or other special protective or safety measures (such private contractor being commonly known in the railroad industry as a contractor-in-charge ("CIC")) in lieu of Railroad providing such services or in concert with Railroad providing such services, subject to prior written approval by Railroad, which approval shall be in Railroad's sole and absolute discretion. If Railroad agrees to permit Contractor to utilize a CIC pursuant to the preceding sentence, Contractor shall obtain Railroad's prior approval in writing for each of the following items, as determined in all respects in Railroad's sole and absolute discretion: (i) the identity of the third-party performing the role of CIC; (ii) the scope of the services to be performed for the project by the approved CIC; and (iii) any other terms and conditions governing such services to be provided by the CIC. If flagging or other special protective or safety measures are performed by an approved CIC, Contractor shall be solely responsible for (and shall timely pay such CIC for) its services. Railroad reserves the right to rescind any approval pursuant to this Section 1, Subsection C., in whole or in part, at any time, as determined in Railroad's sole and absolute discretion.

D. If any flagging or other special protective or safety measures are performed by employees of Railroad and/or any contractor of Railroad, Railroad will bill Contractor for such expenses incurred by Railroad, unless Railroad and a federal, state or local governmental entity have agreed that Railroad is to bill such expenses to the federal, state or local governmental entity. If Railroad will be sending the bills to Contractor, Contractor shall pay such bills within thirty (30) days of Contractor's receipt of billing.

E. If any flagging or other special protective or safety measures are performed by Railroad or a CIC, Contractor agrees that Contractor is not relieved of any of its responsibilities or liabilities set forth in this agreement.

F. The provisions set forth in this subsection are only applicable for Flagging Services performed by employees of Railroad: the rate of pay per hour for each flagman will be the prevailing hourly rate in effect for an eight-hour day for the class of flagmen used during regularly assigned hours and overtime in accordance with labor agreements and schedules in effect at the time the Work is performed. In addition to the cost of such labor, a composite charge for vacation, holiday, health and welfare, supplemental sickness, Railroad Retirement and unemployment compensation, supplemental pension, Employees Liability and Property Damage and Administration will be included, computed on actual payroll. The composite charge will be the prevailing composite charge in effect at the time the Work is performed. One and one-half times the current hourly rate is

paid for overtime, Saturdays and Sundays, and two and one-half times current hourly rate for holidays. Wage rates are subject to change, at any time, by law or by agreement between Railroad and its employees, and may be retroactive as a result of negotiations or a ruling of an authorized governmental agency. Additional charges on labor are also subject to change. If the wage rate or additional charges are changed, Contractor (or the governmental entity, as applicable) shall pay on the basis of the new rates and charges. If flagging is performed by Railroad, reimbursement to Railroad will be required covering the full eight-hour day during which any flagman is furnished, unless the flagman can be assigned to other Railroad work during a portion of such day, in which event reimbursement will not be required for the portion of the day during which the flagman is engaged in other Railroad work. Reimbursement will also be required for any day not actually worked by the flagman following the flagman's assignment to work on the project for which Railroad is required to pay the flagman and which could not reasonably be avoided by Railroad by assignment of such flagman to other work, even though Contractor may not be working during such time. When it becomes necessary for Railroad to bulletin and assign an employee to a flagging position in compliance with union collective bargaining agreements, Contractor must provide Railroad a minimum of five (5) days notice prior to the cessation of the need for a flagman. If five (5) days notice of cessation is not given, Contractor will still be required to pay flagging charges for the five (5) day notice period required by union agreement to be given to the employee, even though flagging is not required for that period. An additional thirty (30) days notice must then be given to Railroad if flagging services are needed again after such five-day cessation notice has been given to Railroad.

## **Section 2. LIMITATION AND SUBORDINATION OF RIGHTS GRANTED**

A. The foregoing grant of right is subject and subordinate to the prior and continuing right and obligation of the Railroad to use and maintain its entire property including the right and power of Railroad to construct, maintain, repair, renew, use, operate, change, modify or relocate railroad tracks, roadways, signal, communication, fiber optics, or other wirelines, pipelines and other facilities upon, along or across any or all parts of its property, all or any of which may be freely done at any time or times by Railroad without liability to Contractor or to any other party for compensation or damages.

B. The foregoing grant is also subject to all outstanding superior rights (whether recorded or unrecorded and including those in favor of licensees and lessees of Railroad's property, and others) and the right of Railroad to renew and extend the same, and is made without covenant of title or for quiet enjoyment.

## **Section 3. NO INTERFERENCE WITH OPERATIONS OF RAILROAD AND ITS TENANTS.**

A. Contractor shall conduct its operations so as not to interfere with the continuous and uninterrupted use and operation of the railroad tracks and property of Railroad, including without limitation, the operations of Railroad's lessees, licensees or others, unless specifically authorized in advance by the Railroad Representative. Nothing shall be done or permitted to be done by Contractor at any time that would in any manner impair the safety of such operations. When not in use, Contractor's machinery and materials shall be kept at least twenty-five (25) feet from the centerline of Railroad's nearest track, and there shall be no vehicular crossings of Railroads tracks except at existing open public crossings.

B. Operations of Railroad and work performed by Railroad personnel and delays in the Work to be performed by Contractor caused by such railroad operations and Work are expected by Contractor, and Contractor agrees that Railroad shall have no liability to Contractor, or any other person or entity for any such delays. The Contractor shall coordinate its activities with those of Railroad and third parties so as to avoid interference with railroad operations. The safe operation of Railroad train movements and other activities by Railroad takes precedence over any Work to be performed by Contractor.



**Section 4. LIENS.**

Contractor shall pay in full all persons who perform labor or provide materials for the Work to be performed by Contractor. Contractor shall not create, permit or suffer any mechanic's or materialmen's liens of any kind or nature to be created or enforced against any property of Railroad for any such Work performed. Contractor shall indemnify and hold harmless Railroad from and against any and all liens, claims, demands, costs or expenses of whatsoever nature in any way connected with or growing out of such Work done, labor performed, or materials furnished. If Contractor fails to promptly cause any lien to be released of record, Railroad may, at its election, discharge the lien or claim of lien at Contractor's expense.

**Section 5. PROTECTION OF FIBER OPTIC CABLE SYSTEMS.**

A. Fiber optic cable systems may be buried on Railroad's property. Protection of the fiber optic cable systems is of extreme importance since any break could disrupt service to users resulting in business interruption and loss of revenue and profits. Contractor shall visit [www.up.com/CBUD](http://www.up.com/CBUD) to complete and submit the required form to determine if fiber optic cable is buried anywhere on Railroad's property to be used by Contractor. If it is, Contractor will telephone the telecommunications company(ies) involved, make arrangements for a cable locator and, if applicable, for relocation or other protection of the fiber optic cable. Contractor shall not commence any Work until all such protection or relocation (if applicable) has been accomplished.

**B. IN ADDITION TO OTHER INDEMNITY PROVISIONS IN THIS AGREEMENT, CONTRACTOR SHALL INDEMNIFY, DEFEND AND HOLD RAILROAD HARMLESS FROM AND AGAINST ALL COSTS, LIABILITY AND EXPENSE WHATSOEVER (INCLUDING, WITHOUT LIMITATION, ATTORNEYS' FEES, COURT COSTS AND EXPENSES) ARISING OUT OF ANY ACT OR OMISSION OF CONTRACTOR, ITS AGENTS AND/OR EMPLOYEES, THAT CAUSES OR CONTRIBUTES TO (1) ANY DAMAGE TO OR DESTRUCTION OF ANY TELECOMMUNICATIONS SYSTEM ON RAILROAD'S PROPERTY, AND/OR (2) ANY INJURY TO OR DEATH OF ANY PERSON EMPLOYED BY OR ON BEHALF OF ANY TELECOMMUNICATIONS COMPANY, AND/OR ITS CONTRACTOR, AGENTS AND/OR EMPLOYEES, ON RAILROAD'S PROPERTY. CONTRACTOR SHALL NOT HAVE OR SEEK RECOURSE AGAINST RAILROAD FOR ANY CLAIM OR CAUSE OF ACTION FOR ALLEGED LOSS OF PROFITS OR REVENUE OR LOSS OF SERVICE OR OTHER CONSEQUENTIAL DAMAGE TO A TELECOMMUNICATION COMPANY USING RAILROAD'S PROPERTY OR A CUSTOMER OR USER OF SERVICES OF THE FIBER OPTIC CABLE ON RAILROAD'S PROPERTY.**

**Section 6. PERMITS - COMPLIANCE WITH LAWS.**

In the prosecution of the Work covered by this agreement, Contractor shall secure any and all necessary permits and shall comply with all applicable federal, state and local laws, regulations and enactments affecting the Work including, without limitation, all applicable Federal Railroad Administration regulations.

**Section 7. SAFETY.**

A. Safety of personnel, property, rail operations and the public is of paramount importance in the prosecution of any Work on Railroad property performed by Contractor. Contractor shall be responsible for initiating, maintaining and supervising all safety, operations and programs in connection with the Work. Contractor shall, at a minimum, comply with Railroad's then current safety standards located at the below web address ("Railroad's Safety Standards") to ensure uniformity with the safety standards followed by Railroad's own forces. As a part of Contractor's safety responsibilities, Contractor shall notify Railroad if Contractor

determines that any of Railroad's Safety Standards are contrary to good safety practices. Contractor shall furnish copies of Railroad's Safety Standards to each of its employees before they enter Railroad property.

[http://www.up.com/cs/groups/public/@uprr/@suppliers/documents/up\\_pdf\\_natedocs/pdf\\_up\\_supplier\\_safety\\_req.pdf](http://www.up.com/cs/groups/public/@uprr/@suppliers/documents/up_pdf_natedocs/pdf_up_supplier_safety_req.pdf)

B. All personnel employed by the Agency, Contractor and all subcontractors must complete the Railroad's course "Property Access Training" and be registered prior to working on Railroad property. This training is available at [www.up.com/up-pat](http://www.up.com/up-pat). This training is required to be completed annually.

C. Without limitation of the provisions of paragraph A above, Contractor shall keep the job site free from safety and health hazards and ensure that its employees are competent and adequately trained in all safety and health aspects of the job.

D. Contractor shall have proper first aid supplies available on the job site so that prompt first aid services may be provided to any person injured on the job site. Contractor shall promptly notify Railroad of any U.S. Occupational Safety and Health Administration reportable injuries. Contractor shall have a nondelegable duty to control its employees while they are on the job site or any other property of Railroad, and to be certain they do not use, be under the influence of, or have in their possession any alcoholic beverage, drug or other substance that may inhibit the safe performance of any Work.

E. If and when requested by Railroad, Contractor shall deliver to Railroad a copy of Contractor's safety plan for conducting the Work (the "Safety Plan"). Railroad shall have the right, but not the obligation, to require Contractor to correct any deficiencies in the Safety Plan. The terms of this agreement shall control if there are any inconsistencies between this agreement and the Safety Plan.

**Section 8. INDEMNITY.**

**A. TO THE FULLEST EXTENT ALLOWED BY APPLICABLE LAW, CONTRACTOR SHALL INDEMNIFY, DEFEND AND HOLD HARMLESS RAILROAD, ITS AFFILIATES, AND ITS AND THEIR OFFICERS, AGENTS AND EMPLOYEES (INDIVIDUALLY AN "INDEMNIFIED PARTY" OR COLLECTIVELY "INDEMNIFIED PARTIES") FROM AND AGAINST ANY AND ALL LOSS, DAMAGE, INJURY, LIABILITY, CLAIM, DEMAND, COST OR EXPENSE (INCLUDING, WITHOUT LIMITATION, ATTORNEY'S, CONSULTANT'S AND EXPERT'S FEES, AND COURT COSTS), FINE OR PENALTY (COLLECTIVELY, "LOSS") INCURRED BY ANY PERSON (INCLUDING, WITHOUT LIMITATION, ANY INDEMNIFIED PARTY, CONTRACTOR, OR ANY EMPLOYEE OF CONTRACTOR OR OF ANY INDEMNIFIED PARTY) ARISING OUT OF OR IN ANY MANNER CONNECTED WITH (I) ANY WORK PERFORMED BY CONTRACTOR, OR (II) ANY ACT OR OMISSION OF CONTRACTOR, ITS OFFICERS, AGENTS OR EMPLOYEES, OR (III) ANY BREACH OF THIS AGREEMENT BY CONTRACTOR.**

**B. THE RIGHT TO INDEMNITY UNDER THIS SECTION 8 SHALL ACCRUE UPON OCCURRENCE OF THE EVENT GIVING RISE TO THE LOSS, AND SHALL APPLY REGARDLESS OF ANY NEGLIGENCE OR STRICT LIABILITY OF ANY INDEMNIFIED PARTY, EXCEPT WHERE THE LOSS IS CAUSED BY THE SOLE ACTIVE NEGLIGENCE OF AN INDEMNIFIED PARTY AS ESTABLISHED BY THE FINAL JUDGMENT OF A COURT OF COMPETENT JURISDICTION. THE SOLE ACTIVE NEGLIGENCE OF ANY INDEMNIFIED PARTY SHALL NOT BAR THE RECOVERY OF ANY OTHER INDEMNIFIED PARTY.**

**C. CONTRACTOR EXPRESSLY AND SPECIFICALLY ASSUMES POTENTIAL LIABILITY UNDER THIS SECTION 8 FOR CLAIMS OR ACTIONS BROUGHT BY CONTRACTOR'S OWN EMPLOYEES. CONTRACTOR WAIVES ANY IMMUNITY IT MAY HAVE UNDER WORKER'S COMPENSATION OR INDUSTRIAL INSURANCE ACTS TO INDEMNIFY THE INDEMNIFIED PARTIES UNDER THIS SECTION 8.**

**CONTRACTOR ACKNOWLEDGES THAT THIS WAIVER WAS MUTUALLY NEGOTIATED BY THE PARTIES HERETO.**

**D. NO COURT OR JURY FINDINGS IN ANY EMPLOYEE'S SUIT PURSUANT TO ANY WORKER'S COMPENSATION ACT OR THE FEDERAL EMPLOYERS' LIABILITY ACT AGAINST A PARTY TO THIS AGREEMENT MAY BE RELIED UPON OR USED BY CONTRACTOR IN ANY ATTEMPT TO ASSERT LIABILITY AGAINST ANY INDEMNIFIED PARTY.**

**E. THE PROVISIONS OF THIS SECTION 8 SHALL SURVIVE THE COMPLETION OF ANY WORK PERFORMED BY CONTRACTOR OR THE TERMINATION OR EXPIRATION OF THIS AGREEMENT. IN NO EVENT SHALL THIS SECTION 8 OR ANY OTHER PROVISION OF THIS AGREEMENT BE DEEMED TO LIMIT ANY LIABILITY CONTRACTOR MAY HAVE TO ANY INDEMNIFIED PARTY BY STATUTE OR UNDER COMMON LAW.**

**Section 9. RESTORATION OF PROPERTY.**

In the event Railroad authorizes Contractor to take down any fence of Railroad or in any manner move or disturb any of the other property of Railroad in connection with the Work to be performed by Contractor, then in that event Contractor shall, as soon as possible and at Contractor's sole expense, restore such fence and other property to the same condition as the same were in before such fence was taken down or such other property was moved or disturbed. Contractor shall remove all of Contractor's tools, equipment, rubbish and other materials from Railroad's property promptly upon completion of the Work, restoring Railroad's property to the same state and condition as when Contractor entered thereon.

**Section 10. WAIVER OF DEFAULT.**

Waiver by Railroad of any breach or default of any condition, covenant or agreement herein contained to be kept, observed and performed by Contractor shall in no way impair the right of Railroad to avail itself of any remedy for any subsequent breach or default.

**Section 11. MODIFICATION - ENTIRE AGREEMENT.**

No modification of this agreement shall be effective unless made in writing and signed by Contractor and Railroad. This agreement and the exhibits attached hereto and made a part hereof constitute the entire understanding between Contractor and Railroad and cancel and supersede any prior negotiations, understandings or agreements, whether written or oral, with respect to the Work to be performed by Contractor.

**Section 12. ASSIGNMENT - SUBCONTRACTING.**

Contractor shall not assign or subcontract this agreement, or any interest therein, without the written consent of the Railroad. Contractor shall be responsible for the acts and omissions of all subcontractors. Before Contractor commences any Work, the Contractor shall, except to the extent prohibited by law; (1) require each of its subcontractors to include the Contractor as "Additional Insured" on the subcontractor's Commercial General Liability policy and Umbrella or Excess policies (if applicable) with respect to all liabilities arising out of the subcontractor's performance of Work on behalf of the Contractor by endorsing these policies with ISO Additional Insured Endorsements CG 20 10, and CG 20 37 (or substitute forms providing equivalent coverage; (2) require each of its subcontractors to endorse their Commercial General Liability Policy with "Contractual Liability Railroads" ISO Form CG 24 17 10 01 (or a substitute form providing equivalent coverage) for the job site; and (3) require each of its subcontractors to endorse their Business Automobile Policy with "Coverage For Certain Operations In Connection With Railroads" ISO Form CA 20 70 10 01 (or a substitute form providing equivalent coverage) for the job site.

**EXHIBIT C**  
**TO**  
**CONTRACTOR'S**  
**RIGHT OF ENTRY AGREEMENT**

**Union Pacific Railroad Company**  
**Insurance Requirements For**  
**Contractor's Right of Entry Agreement**

During the entire term of this Agreement and course of the Project, and until all Project Work on Railroad's property has been completed and all equipment and materials have been removed from Railroad's property and Railroad's property has been clean and restored to Railroad's satisfaction, Contractor shall, at its sole cost and expense, procure and maintain the following insurance coverage:

- A. Commercial General Liability insurance.** Commercial general liability (CGL) with a limit of not less than \$5,000,000 each occurrence and an aggregate limit of not less than \$10,000,000. CGL insurance must be written on ISO occurrence form CG 00 01 12 04 (or a substitute form providing equivalent coverage).

The policy must also contain the following endorsement, which must be stated on the certificate of insurance:

- Contractual Liability Railroads ISO form CG 24 17 10 01 (or a substitute form providing equivalent coverage) showing "Union Pacific Railroad Company Property" as the Designated Job Site.
- Designated Construction Project(s) General Aggregate Limit ISO Form CG 25 03 03 97 (or a substitute form providing equivalent coverage) showing the project on the form schedule.

- B. Business Automobile Coverage insurance.** Business auto coverage written on ISO form CA 00 01 10 01 (or a substitute form providing equivalent liability coverage) with a combined single limit of not less \$5,000,000 for each accident and coverage must include liability arising out of any auto (including owned, hired and non-owned autos).

The policy must contain the following endorsements, which must be stated on the certificate of insurance:

- Coverage For Certain Operations In Connection With Railroads ISO form CA 20 70 10 01 (or a substitute form providing equivalent coverage) showing "Union Pacific Property" as the Designated Job Site.
- Motor Carrier Act Endorsement - Hazardous materials clean up (MCS-90) if required by law.

- C. Workers' Compensation and Employers' Liability insurance.** Coverage must include but not be limited to:

- Contractor's statutory liability under the workers' compensation laws of the state where the Work is being performed.
- Employers' Liability (Part B) with limits of at least \$500,000 each accident, \$500,000 disease policy limit \$500,000 each employee.

If Contractor is self-insured, evidence of state approval and excess workers compensation coverage must be provided. Coverage must include liability arising out of the U. S. Longshoremen's and Harbor Workers' Act, the Jones Act, and the Outer Continental Shelf Land Act, if applicable.

- D. Railroad Protective Liability insurance.** Contractor must maintain "Railroad Protective Liability" (RPL) insurance written on ISO occurrence form CG 00 35 12 04 (or a substitute form providing equivalent coverage) on behalf of Railroad as named insured, with a limit of not less than \$2,000,000 per occurrence

and an aggregate of \$6,000,000. The definition of "JOB LOCATION" and "WORK" on the declaration page of the policy shall refer to this agreement and shall describe all WORK or OPERATIONS performed under this agreement. Contractor shall provide this agreement to Contractor's insurance agent(s) and/or broker(s) and Contractor shall instruct such agent(s) and/or broker(s) to procure the insurance coverage required by this agreement. A BINDER STATING THE POLICY IS IN PLACE MUST BE SUBMITTED TO RAILROAD BEFORE THE WORK MAY COMMENCE AND UNTIL THE ORIGINAL POLICY IS FORWARDED TO UNION PACIFIC RAILROAD.

- E. **Umbrella or Excess** insurance. If Contractor utilizes umbrella or excess policies, these policies must "follow form" and afford no less coverage than the primary policy.
- F. **Pollution Liability** insurance. Pollution liability coverage must be included when the scope of the Work as defined in the agreement includes installation, temporary storage, or disposal of any "hazardous" material that is injurious in or upon land, the atmosphere, or any watercourses; or may cause bodily injury at any time.

If required, coverage may be provided in separate policy form or by endorsement to Contractors CGL or RPL. Any form coverage must be equivalent to that provided in ISO form CG 24 15 "Limited Pollution Liability Extension Endorsement" or CG 28 31 "Pollution Exclusion Amendment" with limits of at least \$5,000,000 per occurrence and an aggregate limit of \$10,000,000.

If the scope of Work as defined in this agreement includes the disposal of any hazardous or non-hazardous materials from the job site, Contractor must furnish to Railroad evidence of pollution legal liability insurance maintained by the disposal site operator for losses arising from the insured facility accepting the materials, with coverage in minimum amounts of \$1,000,000 per loss, and an annual aggregate of \$2,000,000.

**Other Requirements**

- G. All policy(ies) required above (except business automobile, worker's compensation and employers liability) must include Railroad as "Additional Insured" using ISO Additional Insured Endorsements CG 20 10, and CG 20 37 (or substitute forms providing equivalent coverage). The coverage provided to Railroad as additional insured shall not be limited by Contractor's liability under the indemnity provisions of this agreement. BOTH CONTRACTOR AND RAILROAD EXPECT THAT UNION PACIFIC RAILROAD COMPANY WILL BE PROVIDED WITH THE BROADEST POSSIBLE COVERAGE AVAILABLE BY OPERATION OF LAW UNDER ISO ADDITIONAL INSURED FORMS CG 20 10 AND CG 20 37.
- H. Punitive damages exclusion, if any, must be deleted (and the deletion indicated on the certificate of insurance), unless (a) insurance coverage may not lawfully be obtained for any punitive damages that may arise under this agreement, or (b) all punitive damages are prohibited by all states in which this agreement will be performed.
- I. Contractor waives all rights of recovery, and its insurers also waive all rights of subrogation of damages against Railroad and its agents, officers, directors and employees for damages covered by the workers compensation and employers liability or commercial umbrella or excess liability obtained by Contractor required in this agreement where prohibited by law. This waiver must be stated on the certificate of insurance.
- J. Prior to commencing the Work, Contractor shall furnish Railroad with a certificate(s) of insurance, executed by a duly authorized representative of each insurer, showing compliance with the insurance requirements in this agreement.

- K.** All insurance policies must be written by a reputable insurance company acceptable to Railroad or with a current Best's Insurance Guide Rating of A- and Class VII or better, and authorized to do business in the state where the Work is being performed.
  
- L.** The fact that insurance is obtained by Contractor or by Railroad on behalf of Contractor will not be deemed to release or diminish the liability of Contractor, including, without limitation, liability under the indemnity provisions of this agreement. Damages recoverable by Railroad from Contractor or any third party will not be limited by the amount of the required insurance coverage.

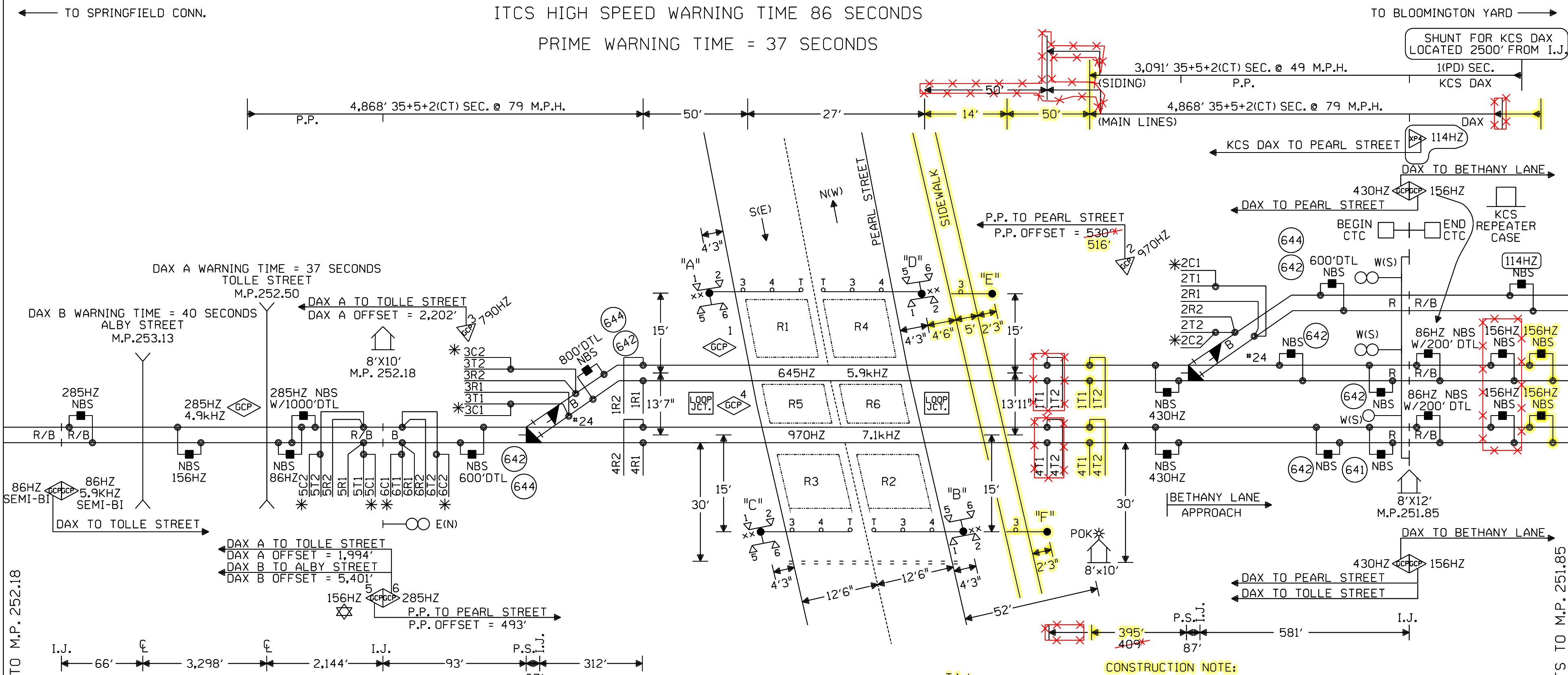
Public Highway At-Grade Crossing 03/01/13  
Standard Form Approved, AVP-Law

**EXHIBIT E  
TO  
PUBLIC HIGHWAY AT-GRADE CROSSING AGREEMENT**

**Exhibit E** will be the signal design schematic.

ITCS HIGH SPEED WARNING TIME 86 SECONDS

PRIME WARNING TIME = 37 SECONDS



SHUNT FOR KCS DAX LOCATED 2500' FROM I.J.

CONNECTS TO M.P. 252.18

CONNECTS TO M.P. 251.85

NOTES:

⊗ = TWISTED WIRES INSULATED 1 TWIST PER FT. ALL TRACK WIRES 2C. #6

TRANSMITTER AND RECEIVER LEADS TO BE SEPARATED BY AT LEAST 12" IN TRENCH, LENGTHS SHOULD NOT EXCEED MANUFACTURERS RECOMMENDATION.

TOP OF FOUNDATION TO BE AT SAME ELEVATION AS THE SURFACE OF THE TRAVELED WAY & NO MORE THAN 4" ABOVE THE SURFACE OF THE GROUND.

ALL BUNGALOW WIRING TO BE #16 AWG FLEX UNLESS OTHERWISE SPECIFIED EXCEPT ALL GROUND WIRE TO BE #6 AWG FLEX OR LARGER.

ALL WIRING IN GATE MECHANISM TO BE #10 "AWG FLEX". REFER TO UP STANDARD DWG FOR BUNGALOW GROUNDING.

PORTABLE GENERATOR EXTENSION CORD FOR 240V TO 240V IS PROVIDED AS WELL AS A 120V TO 240V ADAPTER.

ALL LIGHTS TO BE 12" ROUNDELS.

==== = 4" X 100' CONDUIT

LIGHTS: LED LIGHTS

GATE A: 17'  
 GATE B: 17'  
 GATE C: 17'  
 GATE D: 17'  
 xx = BELL

⊗ = GCP TO OPERATE IN SEMI-BI DIRECTIONAL MODE. USE TAB 627 COUPLER.

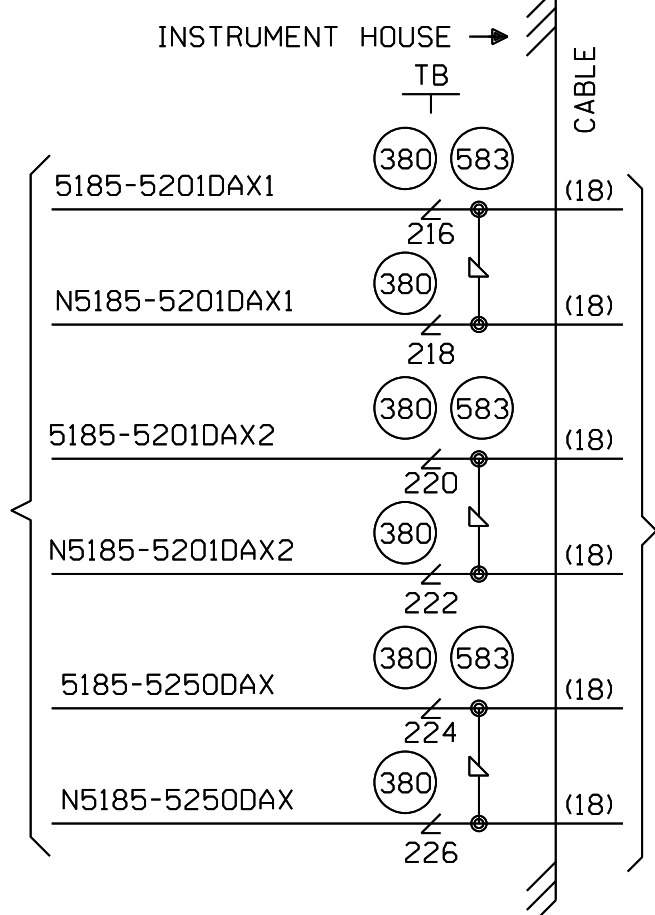
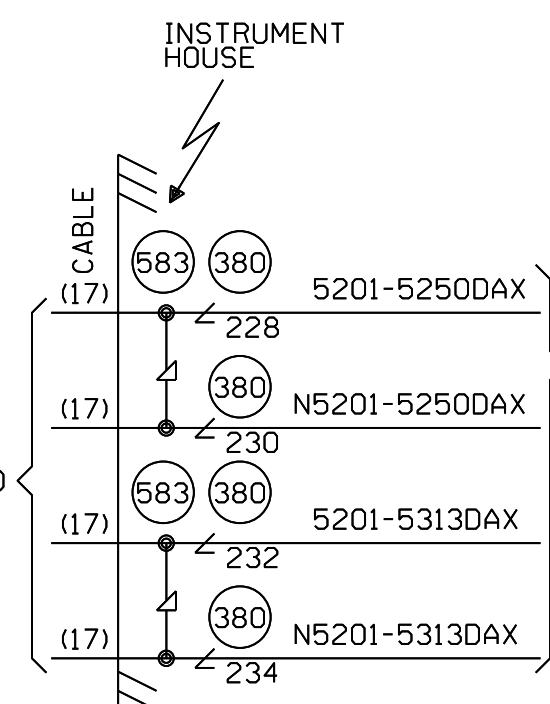
\* TIE THE CHECK AND TRANSMIT TRACK WIRES TOGETHER AT OR NEAR THE BOOTLEG CONNECTION AND RUN A SINGLE WIRE TO THE RAIL.

EXIT GATE MANAGEMENT SYSTEM (EGMS) LOOP LOCATION:

- 1.) 12" FROM CONCRETE CROSSING PANEL, MAY VARY FROM 6" TO 12" DEPENDING ON PAVEMENT QUALITY.
  - 2.) 2' FROM CROSSING CENTERLINE.
  - 3.) 3.5' FROM GATE ARM.
  - 4.) 2' FROM THE EDGE OF THE TRAVELED WAY. MAY BE INCREASED UP TO A MAXIMUM OF 5' WHERE AN IMPROVED SHOULDER OR OTHER EXISTS.
  - 5.) MAXIMUM LOOP WIDTH NOT TO EXCEED 8' AND MINIMUM WIDTH TYPICALLY NOT TO BE LESS THAN 5'. LOOPS BETWEEN TRACKS MUST NOT BE LESS THAN 3'. HOWEVER SMALLER LOOPS ARE ACCEPTABLE.
  - 6.) DISTANCE BETWEEN ADJACENT LOOPS FOR ONE DIRECTION OF TRAFFIC MUST NOT EXCEED 13'.
  - 7.) MAXIMUM LOOP AREA NOT TO EXCEED 144 SQUARE FEET.
  - 8.) MAXIMUM LENGTH OF THE LONGEST SIDE OF A LOOP SHALL NOT EXCEED 28'6".
- = EGMS LOOP

— = IN  
 - - - - - = OUT  
 ○ = EXISTING/REVISE ORIGINALS IF A.C.'D

CONSTRUCTION NOTE:  
 INSTALL NEW PEDESTRIAN GATES AND RELOCATE THE TRANSMITTER TRACK CONNECTIONS AND EAST(NORTH) NBS'S ON UP'S TRACKS FOR THE ADDITION ON THE SIDEWALK.



CABLE #17 7C\*14 U.G.B.T. HOUSE TO M.P. 252.50  
 CABLE #18 7C\*14 U.G.B.T. HOUSE TO M.P. 251.85

Designed: 5/25/23 ADD PED GATES AT PEARL ST M.P. 252.01 Rec'd: 5/31/23 W0: 53148 NDR /DLS/ANM	Revised: 10/30/17 TIER 1S PHASE 1 M.P. 239.70 TO M.P. 255.35 TO UPGRADE XING TO 4 QUAD WITH EGMS, VARIOUS C.P.'S Rec'd: 24339 W0: 10804 1S: 12/18/15 NBT / DLR/JLP/NST/MJF	MODIFICATION LEVEL		CIRCUIT MODIFICATIONS ARE NOT TO BE MADE WITHOUT AUTHORITY FROM THE OFFICE OF SIGNAL DESIGN	Date: 09/27/12 Des: NST Chk: NBT AFE: 10804	UNION PACIFIC RAILROAD GODFREY, ILLINOIS PEARL STREET SPRINGFIELD SUBDIVISION Office of Sr AVP Engineering - Signal/TCO Omaha, Nebraska	Sh.: 1 DOT 294428V MP: 252.01 ID: CSL25201.IX
		Q. A. LAST LEVEL CHECKED DU LAST LEVEL MOD THIS TYPICAL DU LAST LEVEL BY DESIGNER DU CHANGED FROM TYPICAL? Y	DU DU Y				





## 4 STEP PROCESS FOR THE CONTRACTOR'S RIGHT OF ENTRY

1. Fill out the blank attached Contractor's Right of Entry (CROE) using the Construction and Maintenance (C&M) Agreement for the work between the agency (City/County/State/Private Company) and Union Pacific as your guide and **sign** the CROE. There is an example attached with red annotations to aid the Contractor in filling out the CROE. If the contractor does not have a copy of the C&M agreement, the contractor will need to obtain one from the agency. *Note: Union Pacific will fill in Article 4 referencing the Railroad Representative upon receipt.*
2. Submit the administrative fee of \$1,025 via the payment methods one-pager attached to this document on how to submit a payment. **DO NOT FORGET TO REFERENCE YOUR FOLDER/PROJECT NUMBER ON YOUR PAYMENT SUBMISSION!**
3. CROE Agreement's in **California, Illinois, Texas and Wisconsin** should be e-mailed to Union Pacific Real Estate Representative, Karina Kiewel (karina.kiewel@upcontractor.up.com) and for **all other States**, the CROE Agreement should be sent to Union Pacific Real Estate Representative, Kelbey Heider (kelbey.heider@upcontractor.up.com).
4. Once the CROE Agreement and payment have been received, please allow a minimum of 30 days to process the CROE and return a fully executed agreement.

**IF THE CROE IS NOT FILLED OUT PER THESE INSTRUCTIONS, IT WILL BE REJECTED.**

**Attachments to this document should include:**

1. **The 4 Step Process for the Contractor's Right of Entry**
2. **Payment Methods**
3. **Example of a CROE**
4. **Blank CROE**

- **Methods of Payments**

# Real Estate Invoices

---

## ACH Payment

- Send ACH Payments to:
  - Name = Bank of America, Dallas, TX
  - Account = 3750920631
  - Routing = 1110-0001-2
  - Reference = Invoice Number (if applicable) or Folder Number

## Wire Transfer

- Send Wire Transfers to:
  - Name = Bank of America, Dallas, TX
  - Account = 3750920631
  - Routing = 0260-0959-3
  - Reference = Invoice Number (if applicable) or Folder Number

## Check

- Send Check to:
  - Union Pacific Railroad Company
  - 12567 Collection Center Drive
  - Chicago, IL 60693
- Include in remittance information your invoice Number (if applicable) or Folder Number

## Credit Card

- We currently do not offer a credit card option

One or the other needs to  
be filled out

Folder # \_\_\_\_\_

Project # \_\_\_\_\_

Effective date should be the first day the project  
begins. If an extension, it should be the day  
after the previous CROE termination date

## CONTRACTOR'S RIGHT OF ENTRY AGREEMENT

**THIS AGREEMENT** is made and entered into as of the 1st day of January, 2035,  
by and between **UNION PACIFIC RAILROAD COMPANY**, a Delaware corporation ("Railroad"); and  
John Smith Paving (The name of the Contractor's Business), a (type of company- LLC, S-Corp, incorporated...) corporation ("Contractor").

### RECITALS:

Contractor has been hired by The City, County, State or Private Company. to perform work  
relating to The work that is outlined in the base agreement between City and UP - signal  
interconnect/preemption, etc. Review the base agreement so you know!  
(the "work") with all or a portion of such work to be performed on property of Railroad in the vicinity of Railroad's Milepost  
123.45 on Railroad's Watchthechoochoo [Subdivision or Branch] [at or near DOT No.  
6 digits and Alpha - 123456P located at or near Omaha, in Douglas County, State of Nebraska, as such  
location is in the general location shown on the print marked **Exhibit A**, attached hereto and hereby made a part hereof,  
which work is the subject of a contract dated Date the agreement was signed  
between UPR and the agency between Railroad and  
The City, County, State or Private Company.

Railroad is willing to permit Contractor to perform the work described above at the location described above  
subject to the terms and conditions contained in this agreement

### AGREEMENT:

**NOW, THEREFORE**, it is mutually agreed by and between Railroad and Contractor, as follows:

#### **ARTICLE 1 - DEFINITION OF CONTRACTOR.**

For purposes of this agreement, all references in this agreement to Contractor shall include Contractor's  
contractors, subcontractors, officers, agents and employees, and others acting under its or their authority. For purposes  
of clarity, Contractor agrees that any CIC (defined below) hired by Contractor is a subcontractor of Contractor and  
therefore included in the defined term Contractor pursuant to the foregoing sentence.

#### **ARTICLE 2 - RIGHT GRANTED; PURPOSE.**

Railroad hereby grants to Contractor the right, during the term hereinafter stated and upon and subject to each  
and all of the terms, provisions and conditions herein contained, to enter upon and have ingress to and egress from the  
property described in the Recitals for the purpose of performing the work described in the Recitals above. The right  
herein granted to Contractor is limited to those portions of Railroad's property specifically described herein, or as  
designated by the Railroad Representative named in Article 4.

#### **ARTICLE 3 - TERMS AND CONDITIONS CONTAINED IN EXHIBITS B AND C**

The terms and conditions contained in **Exhibit B** and **Exhibit C**, attached hereto, are hereby made a part of this  
agreement.

#### **ARTICLE 4 - ALL EXPENSES TO BE BORNE BY CONTRACTOR; RAILROAD REPRESENTATIVE.**

A. Contractor shall bear any and all costs and expenses associated with any work performed by Contractor  
(including without limitation any CIC), or any costs or expenses incurred by Railroad relating to this agreement.

B. Contractor shall coordinate all of its work with the following Railroad representative or his or her duly authorized representative (the "Railroad Representative"):

\_\_\_\_\_  
\_\_\_\_\_  
\_\_\_\_\_  
\_\_\_\_\_

<----- This contact will be the local Manager of Track Maintenance (MTM). The Railroad will provide the contact upon receipt of this CROE from the Contractor. **DO NOT CALL AND/OR E-MAIL REQUESTING THIS INFORMATION.**

C. Contractor, at its own expense, shall adequately police and supervise all work to be performed by Contractor and shall ensure that such work is performed in a safe manner as set forth in Section 7 of **Exhibit B**. The responsibility of Contractor for safe conduct and adequate policing and supervision of Contractor's work shall not be lessened or otherwise affected by Railroad's approval of plans and specifications involving the work, or by Railroad's collaboration in performance of any work, or by the presence at the work site of a Railroad Representative, or by compliance by Contractor with any requests or recommendations made by Railroad Representative.

**ARTICLE 5 - SCHEDULE OF WORK ON A MONTHLY BASIS.**

The Contractor, at its expense, shall provide on a monthly basis a detailed schedule of work to the Railroad Representative named in Article 4B above. The reports shall start at the execution of this agreement and continue until this agreement is terminated as provided in this agreement or until the Contractor has completed all work on Railroad's property.

**ARTICLE 6 - TERM; TERMINATION.**

A. The grant of right herein made to Contractor shall commence on the date of this agreement, and continue until Allow ample time to complete the work, but no more than necessary, including delays. Usually this is between 1-2 yrs unless sooner terminated as herein provided, or at such time as Contractor has completed its work on Railroad's property, whichever is earlier. Contractor agrees to notify the Railroad Representative in writing when it has completed its work on Railroad's property.

B. This agreement may be terminated by either party on ten (10) days written notice to the other party.

**ARTICLE 7 - CERTIFICATE OF INSURANCE.**

A. Before commencing any work and throughout the entire term of this Agreement, Contractor, at its expense, shall procure and maintain in full force and effect the types and minimum limits of insurance specified in **Exhibit C** of this agreement and require each of its subcontractors to include the insurance endorsements as required under Section 12 of **Exhibit B** of this agreement.

B. Not more frequently than once every two (2) years, Railroad may reasonably modify the required insurance coverage to reflect then-current risk management practices in the railroad industry and underwriting practices in the insurance industry.

C. Upon request of Railroad, Contractor shall provide to Railroad a certificate issued by its insurance carrier evidencing the insurance coverage required under **Exhibit B**.

D. Contractor understands and accepts that the terms of this Article are wholly separate from and independent of the terms of any indemnity provisions contained in this Agreement.

D. Upon request of Railroad, insurance correspondence, binders, policies, certificates and endorsements shall be sent to:

Union Pacific Railroad Company  
1400 Douglas Street, Stop 1690  
Omaha, NE 68179  
Attn: Manager  
Folder or Project No. \_\_\_\_\_

<----- Fill this in with the project or folder number

**ARTICLE 8 - PRECONSTRUCTION MEETING.**

If the work to be performed by the Contractor will involve the Railroad providing any flagging protection (or if a CIC is approved to provide flagging protection pursuant to the terms set forth herein) and/or there is separate work to be performed by the Railroad, the Contractor confirms that no work shall commence until the Railroad and Contractor participate in a preconstruction meeting involving flagging procedures and coordination of work activities of the Contractor and the Railroad (and any CIC, as applicable.)

**ARTICLE 9. DISMISSAL OF CONTRACTOR'S EMPLOYEE.**

At the request of Railroad, Contractor shall remove from Railroad's property any employee of Contractor who fails to conform to the instructions of the Railroad Representative in connection with the work on Railroad's property, and any right of Contractor shall be suspended until such removal has occurred. Contractor shall indemnify Railroad against any claims arising from the removal of any such employee from Railroad's property.

**ARTICLE 10. ADMINISTRATIVE FEE.**

Upon the execution and delivery of this agreement, Contractor shall pay to Railroad One Thousand Twenty Five Dollars (\$1,025.00) as reimbursement for clerical, administrative and handling expenses in connection with the processing of this agreement.

**ARTICLE 11. CROSSINGS; COMPLIANCE WITH MUTCD AND FRA GUIDELINES.**

A. No additional vehicular crossings (including temporary haul roads) or pedestrian crossings over Railroad's trackage shall be installed or used by Contractor without the prior written permission of Railroad.

B. Any permanent or temporary changes, including temporary traffic control, to crossings must conform to the Manual of Uniform Traffic Control Devices (MUTCD) and any applicable Federal Railroad Administration rules, regulations and guidelines, and must be reviewed by the Railroad prior to any changes being implemented. In the event the Railroad is found to be out of compliance with federal safety regulations due to the Contractor's modifications, negligence, or any other reason arising from the Contractor's presence on the Railroad's property, the Contractor agrees to assume liability for any civil penalties imposed upon the Railroad for such noncompliance.

**ARTICLE 12.- EXPLOSIVES.**

Explosives or other highly flammable substances shall not be stored or used on Railroad's property without the prior written approval of Railroad.

**IN WITNESS WHEREOF**, the parties hereto have duly executed this agreement in duplicate as of the date first herein written.

**UNION PACIFIC RAILROAD COMPANY**

By: \_\_\_\_\_  
Title: \_\_\_\_\_

\_\_\_\_\_  
(Entity Name of Contractor)

By: \_\_\_\_\_  
Title: \_\_\_\_\_  
Printed Name: \_\_\_\_\_  
E-Mail: \_\_\_\_\_  
Phone: \_\_\_\_\_

**READ THIS - SUPER IMPORTANT!**



**DONT JUST STOP HERE WHEN PRINTING OR SCANNING! ALL PAGES MUST BE INCLUDED WHEN RETURNING THIS DOCUMENT TO UNION PACIFIC INCLUDING THE EXHIBIT A, EXHIBIT B AND EXHIBIT C. IF THERE IS NOT AN EXHIBIT A SHOWING THE LOCATION, PLEASE MAKE ONE CLEARLY SHOWING THE LOCATION!**

**EXHIBIT A**  
**TO**  
**CONTRACTOR'S RIGHT OF ENTRY AGREEMENT**

Exhibit A will be a print showing the general location of the work site.

**EXHIBIT B**  
**TO**  
**CONTRACTOR'S RIGHT OF ENTRY AGREEMENT**

**Section 1. NOTICE OF COMMENCEMENT OF WORK - RAILROAD FLAGGING - PRIVATE FLAGGING.**

A. Contractor agrees to notify the Railroad Representative at least ten (10) working days in advance of Contractor commencing its work and at least thirty (30) working days in advance of proposed performance of any work by Contractor in which any person or equipment will be within twenty-five (25) feet of any track, or will be near enough to any track that any equipment extension (such as, but not limited to, a crane boom) will reach to within twenty-five (25) feet of any track.

B. No work of any kind shall be performed, and no person, equipment, machinery, tool(s), material(s), vehicle(s), or thing(s) shall be located, operated, placed, or stored within twenty-five (25) feet of any of Railroad's track(s) at any time, for any reason, unless and until a Railroad approved flagman is provided to watch for trains. Upon receipt of such thirty (30)-day notice, the Railroad Representative will determine and inform Contractor whether a flagman need be present and whether Contractor needs to implement any special protective or safety measures.

C. Contractor shall be permitted to hire a private contractor to perform flagging or other special protective or safety measures (such private contractor being commonly known in the railroad industry as a contractor-in-charge ("CIC")) in lieu of Railroad providing such services or in concert with Railroad providing such services, subject to prior written approval by Railroad, which approval shall be in Railroad's sole and absolute discretion. If Railroad agrees to permit Contractor to utilize a CIC pursuant to the preceding sentence, Contractor shall obtain Railroad's prior approval in writing for each of the following items, as determined in all respects in Railroad's sole and absolute discretion: (i) the identity of the third-party performing the role of CIC; (ii) the scope of the services to be performed for the project by the approved CIC; and (iii) any other terms and conditions governing such services to be provided by the CIC. If flagging or other special protective or safety measures are performed by an approved CIC, Contractor shall be solely responsible for (and shall timely pay such CIC for) its services. Railroad reserves the right to rescind any approval pursuant to this Section 1, Subsection C., in whole or in part, at any time, as determined in Railroad's sole and absolute discretion.

D. If any flagging or other special protective or safety measures are performed by employees of Railroad and/or any contractor of Railroad, Railroad will bill Contractor for such expenses incurred by Railroad, unless Railroad and a federal, state or local governmental entity have agreed that Railroad is to bill such expenses to the federal, state or local governmental entity. If Railroad will be sending the bills to Contractor, Contractor shall pay such bills within thirty (30) days of Contractor's receipt of billing.

E. If any flagging or other special protective or safety measures are performed by Railroad or a CIC, Contractor agrees that Contractor is not relieved of any of its responsibilities or liabilities set forth in this agreement.

F. The provisions set forth in this subsection are only applicable for Flagging Services performed by employees of Railroad: the rate of pay per hour for each flagman will be the prevailing hourly rate in effect for an eight-hour day for the class of flagmen used during regularly assigned hours and overtime in accordance with labor agreements and schedules in effect at the time the work is performed. In addition to the cost of such labor, a composite charge for vacation, holiday, health and welfare, supplemental sickness, Railroad Retirement and unemployment compensation, supplemental pension, Employees Liability and Property Damage and Administration will be included, computed on actual payroll. The composite charge will be the prevailing composite charge in effect at the time the work is performed. One and one-half times the current hourly rate is paid for overtime, Saturdays and Sundays, and two and one-half times current hourly rate for holidays. Wage rates are subject to change, at any time, by law or by agreement between Railroad and its employees, and may be retroactive as a result of negotiations or a ruling of an authorized governmental agency. Additional charges on labor are also subject to change. If the wage rate or additional charges are changed, Contractor (or the governmental entity, as applicable) shall pay on the basis of the new rates and charges. If flagging is performed by Railroad, reimbursement to Railroad will be required covering the full eight-hour day during which any flagman is furnished, unless the flagman can be assigned to other Railroad work during a portion of such day, in which event reimbursement will not be required for the portion of the day during which the flagman is engaged in other Railroad work.



Reimbursement will also be required for any day not actually worked by the flagman following the flagman's assignment to work on the project for which Railroad is required to pay the flagman and which could not reasonably be avoided by Railroad by assignment of such flagman to other work, even though Contractor may not be working during such time. When it becomes necessary for Railroad to bulletin and assign an employee to a flagging position in compliance with union collective bargaining agreements, Contractor must provide Railroad a minimum of five (5) days notice prior to the cessation of the need for a flagman. If five (5) days notice of cessation is not given, Contractor will still be required to pay flagging charges for the five (5) day notice period required by union agreement to be given to the employee, even though flagging is not required for that period. An additional thirty (30) days notice must then be given to Railroad if flagging services are needed again after such five day cessation notice has been given to Railroad.

**Section 2. LIMITATION AND SUBORDINATION OF RIGHTS GRANTED**

A. The foregoing grant of right is subject and subordinate to the prior and continuing right and obligation of the Railroad to use and maintain its entire property including the right and power of Railroad to construct, maintain, repair, renew, use, operate, change, modify or relocate railroad tracks, roadways, signal, communication, fiber optics, or other wirelines, pipelines and other facilities upon, along or across any or all parts of its property, all or any of which may be freely done at any time or times by Railroad without liability to Contractor or to any other party for compensation or damages.

B. The foregoing grant is also subject to all outstanding superior rights (whether recorded or unrecorded and including those in favor of licensees and lessees of Railroad's property, and others) and the right of Railroad to renew and extend the same, and is made without covenant of title or for quiet enjoyment.

**Section 3. NO INTERFERENCE WITH OPERATIONS OF RAILROAD AND ITS TENANTS.**

A. Contractor shall conduct its operations so as not to interfere with the continuous and uninterrupted use and operation of the railroad tracks and property of Railroad, including without limitation, the operations of Railroad's lessees, licensees or others, unless specifically authorized in advance by the Railroad Representative. Nothing shall be done or permitted to be done by Contractor at any time that would in any manner impair the safety of such operations. When not in use, Contractor's machinery and materials shall be kept at least fifty (50) feet from the centerline of Railroad's nearest track, and there shall be no vehicular crossings of Railroads tracks except at existing open public crossings.

B. Operations of Railroad and work performed by Railroad personnel and delays in the work to be performed by Contractor caused by such railroad operations and work are expected by Contractor, and Contractor agrees that Railroad shall have no liability to Contractor, or any other person or entity for any such delays. The Contractor shall coordinate its activities with those of Railroad and third parties so as to avoid interference with railroad operations. The safe operation of Railroad train movements and other activities by Railroad takes precedence over any work to be performed by Contractor.

**Section 4. LIENS.**

Contractor shall pay in full all persons who perform labor or provide materials for the work to be performed by Contractor. Contractor shall not create, permit or suffer any mechanic's or materialmen's liens of any kind or nature to be created or enforced against any property of Railroad for any such work performed. Contractor shall indemnify and hold harmless Railroad from and against any and all liens, claims, demands, costs or expenses of whatsoever nature in any way connected with or growing out of such work done, labor performed, or materials furnished. If Contractor fails to promptly cause any lien to be released of record, Railroad may, at its election, discharge the lien or claim of lien at Contractor's expense.

**Section 5. PROTECTION OF FIBER OPTIC CABLE SYSTEMS.**

A. Fiber optic cable systems may be buried on Railroad's property. Protection of the fiber optic cable systems is of extreme importance since any break could disrupt service to users resulting in business interruption and loss of revenue and profits. Contractor shall telephone Railroad during normal business hours (7:00 a.m. to 9:00 p.m. Central Time, Monday through Friday, except holidays) at 1-800-336-9193 (also a 24-hour, 7-day number for emergency calls) to determine if fiber optic cable is buried anywhere on Railroad's property to be used by Contractor. If it is,

Contractor will telephone the telecommunications company(ies) involved, make arrangements for a cable locator and, if applicable, for relocation or other protection of the fiber optic cable. Contractor shall not commence any work until all such protection or relocation (if applicable) has been accomplished.

**B. IN ADDITION TO OTHER INDEMNITY PROVISIONS IN THIS AGREEMENT, CONTRACTOR SHALL INDEMNIFY, DEFEND AND HOLD RAILROAD HARMLESS FROM AND AGAINST ALL COSTS, LIABILITY AND EXPENSE WHATSOEVER (INCLUDING, WITHOUT LIMITATION, ATTORNEYS' FEES, COURT COSTS AND EXPENSES) ARISING OUT OF ANY ACT OR OMISSION OF CONTRACTOR, ITS AGENTS AND/OR EMPLOYEES, THAT CAUSES OR CONTRIBUTES TO (1) ANY DAMAGE TO OR DESTRUCTION OF ANY TELECOMMUNICATIONS SYSTEM ON RAILROAD'S PROPERTY, AND/OR (2) ANY INJURY TO OR DEATH OF ANY PERSON EMPLOYED BY OR ON BEHALF OF ANY TELECOMMUNICATIONS COMPANY, AND/OR ITS CONTRACTOR, AGENTS AND/OR EMPLOYEES, ON RAILROAD'S PROPERTY. CONTRACTOR SHALL NOT HAVE OR SEEK RECOURSE AGAINST RAILROAD FOR ANY CLAIM OR CAUSE OF ACTION FOR ALLEGED LOSS OF PROFITS OR REVENUE OR LOSS OF SERVICE OR OTHER CONSEQUENTIAL DAMAGE TO A TELECOMMUNICATION COMPANY USING RAILROAD'S PROPERTY OR A CUSTOMER OR USER OF SERVICES OF THE FIBER OPTIC CABLE ON RAILROAD'S PROPERTY.**

**Section 6. PERMITS - COMPLIANCE WITH LAWS.**

In the prosecution of the work covered by this agreement, Contractor shall secure any and all necessary permits and shall comply with all applicable federal, state and local laws, regulations and enactments affecting the work including, without limitation, all applicable Federal Railroad Administration regulations.

**Section 7. SAFETY.**

A. Safety of personnel, property, rail operations and the public is of paramount importance in the prosecution of any work on Railroad property performed by Contractor. Contractor shall be responsible for initiating, maintaining and supervising all safety, operations and programs in connection with the work. Contractor shall, at a minimum, comply with Railroad's then current safety standards located at the below web address ("Railroad's Safety Standards") to ensure uniformity with the safety standards followed by Railroad's own forces. As a part of Contractor's safety responsibilities, Contractor shall notify Railroad if Contractor determines that any of Railroad's Safety Standards are contrary to good safety practices. Contractor shall furnish copies of Railroad's Safety Standards to each of its employees before they enter Railroad property.

[http://www.up.com/cs/groups/public/@uprr/@suppliers/documents/up\\_pdf\\_nativedocs/pdf\\_up\\_supplier\\_safety\\_req.pdf](http://www.up.com/cs/groups/public/@uprr/@suppliers/documents/up_pdf_nativedocs/pdf_up_supplier_safety_req.pdf)

B. Without limitation of the provisions of paragraph A above, Contractor shall keep the job site free from safety and health hazards and ensure that its employees are competent and adequately trained in all safety and health aspects of the job.

C. Contractor shall have proper first aid supplies available on the job site so that prompt first aid services may be provided to any person injured on the job site. Contractor shall promptly notify Railroad of any U.S. Occupational Safety and Health Administration reportable injuries. Contractor shall have a nondelegable duty to control its employees while they are on the job site or any other property of Railroad, and to be certain they do not use, be under the influence of, or have in their possession any alcoholic beverage, drug or other substance that may inhibit the safe performance of any work.

D. If and when requested by Railroad, Contractor shall deliver to Railroad a copy of Contractor's safety plan for conducting the work (the "Safety Plan"). Railroad shall have the right, but not the obligation, to require Contractor to correct any deficiencies in the Safety Plan. The terms of this agreement shall control if there are any inconsistencies between this agreement and the Safety Plan.

**Section 8. INDEMNITY.**

**A. TO THE EXTENT NOT PROHIBITED BY APPLICABLE STATUTE, CONTRACTOR SHALL INDEMNIFY, DEFEND AND HOLD HARMLESS RAILROAD, ITS AFFILIATES, AND ITS AND THEIR OFFICERS,**

AGENTS AND EMPLOYEES (INDIVIDUALLY AN "INDEMNIFIED PARTY" OR COLLECTIVELY "INDEMNIFIED PARTIES") FROM AND AGAINST ANY AND ALL LOSS, DAMAGE, INJURY, LIABILITY, CLAIM, DEMAND, COST OR EXPENSE (INCLUDING, WITHOUT LIMITATION, ATTORNEY'S, CONSULTANT'S AND EXPERT'S FEES, AND COURT COSTS), FINE OR PENALTY (COLLECTIVELY, "LOSS") INCURRED BY ANY PERSON (INCLUDING, WITHOUT LIMITATION, ANY INDEMNIFIED PARTY, CONTRACTOR, OR ANY EMPLOYEE OF CONTRACTOR OR OF ANY INDEMNIFIED PARTY) ARISING OUT OF OR IN ANY MANNER CONNECTED WITH (I) ANY WORK PERFORMED BY CONTRACTOR, OR (II) ANY ACT OR OMISSION OF CONTRACTOR, ITS OFFICERS, AGENTS OR EMPLOYEES, OR (III) ANY BREACH OF THIS AGREEMENT BY CONTRACTOR.

B. THE RIGHT TO INDEMNITY UNDER THIS SECTION 8 SHALL ACCRUE UPON OCCURRENCE OF THE EVENT GIVING RISE TO THE LOSS, AND SHALL APPLY REGARDLESS OF ANY NEGLIGENCE OR STRICT LIABILITY OF ANY INDEMNIFIED PARTY, EXCEPT WHERE THE LOSS IS CAUSED BY THE SOLE ACTIVE NEGLIGENCE OF AN INDEMNIFIED PARTY AS ESTABLISHED BY THE FINAL JUDGMENT OF A COURT OF COMPETENT JURISDICTION. THE SOLE ACTIVE NEGLIGENCE OF ANY INDEMNIFIED PARTY SHALL NOT BAR THE RECOVERY OF ANY OTHER INDEMNIFIED PARTY.

C. CONTRACTOR EXPRESSLY AND SPECIFICALLY ASSUMES POTENTIAL LIABILITY UNDER THIS SECTION 8 FOR CLAIMS OR ACTIONS BROUGHT BY CONTRACTOR'S OWN EMPLOYEES. CONTRACTOR WAIVES ANY IMMUNITY IT MAY HAVE UNDER WORKER'S COMPENSATION OR INDUSTRIAL INSURANCE ACTS TO INDEMNIFY THE INDEMNIFIED PARTIES UNDER THIS SECTION 8. CONTRACTOR ACKNOWLEDGES THAT THIS WAIVER WAS MUTUALLY NEGOTIATED BY THE PARTIES HERETO.

D. NO COURT OR JURY FINDINGS IN ANY EMPLOYEE'S SUIT PURSUANT TO ANY WORKER'S COMPENSATION ACT OR THE FEDERAL EMPLOYERS' LIABILITY ACT AGAINST A PARTY TO THIS AGREEMENT MAY BE RELIED UPON OR USED BY CONTRACTOR IN ANY ATTEMPT TO ASSERT LIABILITY AGAINST ANY INDEMNIFIED PARTY.

E. THE PROVISIONS OF THIS SECTION 8 SHALL SURVIVE THE COMPLETION OF ANY WORK PERFORMED BY CONTRACTOR OR THE TERMINATION OR EXPIRATION OF THIS AGREEMENT. IN NO EVENT SHALL THIS SECTION 8 OR ANY OTHER PROVISION OF THIS AGREEMENT BE DEEMED TO LIMIT ANY LIABILITY CONTRACTOR MAY HAVE TO ANY INDEMNIFIED PARTY BY STATUTE OR UNDER COMMON LAW.

**Section 9. RESTORATION OF PROPERTY.**

In the event Railroad authorizes Contractor to take down any fence of Railroad or in any manner move or disturb any of the other property of Railroad in connection with the work to be performed by Contractor, then in that event Contractor shall, as soon as possible and at Contractor's sole expense, restore such fence and other property to the same condition as the same were in before such fence was taken down or such other property was moved or disturbed. Contractor shall remove all of Contractor's tools, equipment, rubbish and other materials from Railroad's property promptly upon completion of the work, restoring Railroad's property to the same state and condition as when Contractor entered thereon.

**Section 10. WAIVER OF DEFAULT.**

Waiver by Railroad of any breach or default of any condition, covenant or agreement herein contained to be kept, observed and performed by Contractor shall in no way impair the right of Railroad to avail itself of any remedy for any subsequent breach or default.

**Section 11. MODIFICATION - ENTIRE AGREEMENT.**

No modification of this agreement shall be effective unless made in writing and signed by Contractor and Railroad. This agreement and the exhibits attached hereto and made a part hereof constitute the entire understanding between Contractor and Railroad and cancel and supersede any prior negotiations, understandings or agreements, whether written or oral, with respect to the work to be performed by Contractor.

**Section 12. ASSIGNMENT - SUBCONTRACTING.**

Contractor shall not assign or subcontract this agreement, or any interest therein, without the written consent of the Railroad. Contractor shall be responsible for the acts and omissions of all subcontractors. Before Contractor commences any work, the Contractor shall, except to the extent prohibited by law; (1) require each of its subcontractors to include the Contractor as "Additional Insured" on the subcontractor's Commercial General Liability policy and Umbrella or Excess policies (if applicable) with respect to all liabilities arising out of the subcontractor's performance of work on behalf of the Contractor by endorsing these policies with ISO Additional Insured Endorsements CG 20 10, and CG 20 37 (or substitute forms providing equivalent coverage; (2) require each of its subcontractors to endorse their Commercial General Liability Policy with "Contractual Liability Railroads" ISO Form CG 24 17 10 01 (or a substitute form providing equivalent coverage) for the job site; and (3) require each of its subcontractors to endorse their Business Automobile Policy with "Coverage For Certain Operations In Connection With Railroads" ISO Form CA 20 70 10 01 (or a substitute form providing equivalent coverage) for the job site.

**EXHIBIT C**  
**TO**  
**CONTRACTOR'S**  
**RIGHT OF ENTRY AGREEMENT**

**Union Pacific Railroad Company**  
**Insurance Requirements For**  
**Contractor's Right of Entry Agreement**

During the entire term of this Agreement and course of the Project, and until all Project work on Railroad's property has been completed and all equipment and materials have been removed from Railroad's property and Railroad's property has been clean and restored to Railroad's satisfaction, Contractor shall, at its sole cost and expense, procure and maintain the following insurance coverage:

- A. Commercial General Liability insurance.** Commercial general liability (CGL) with a limit of not less than \$5,000,000 each occurrence and an aggregate limit of not less than \$10,000,000. CGL insurance must be written on ISO occurrence form CG 00 01 12 04 (or a substitute form providing equivalent coverage).

The policy must also contain the following endorsement, which must be stated on the certificate of insurance:

- Contractual Liability Railroads ISO form CG 24 17 10 01 (or a substitute form providing equivalent coverage) showing "Union Pacific Railroad Company Property" as the Designated Job Site.
- Designated Construction Project(s) General Aggregate Limit ISO Form CG 25 03 03 97 (or a substitute form providing equivalent coverage) showing the project on the form schedule.

- B. Business Automobile Coverage insurance.** Business auto coverage written on ISO form CA 00 01 10 01 (or a substitute form providing equivalent liability coverage) with a combined single limit of not less \$5,000,000 for each accident and coverage must include liability arising out of any auto (including owned, hired and non-owned autos).

The policy must contain the following endorsements, which must be stated on the certificate of insurance:

- Coverage For Certain Operations In Connection With Railroads ISO form CA 20 70 10 01 (or a substitute form providing equivalent coverage) showing "Union Pacific Property" as the Designated Job Site.
- Motor Carrier Act Endorsement - Hazardous materials clean up (MCS-90) if required by law.

- C. Workers' Compensation and Employers' Liability insurance.** Coverage must include but not be limited to:
- Contractor's statutory liability under the workers' compensation laws of the state where the work is being performed.
  - Employers' Liability (Part B) with limits of at least \$500,000 each accident, \$500,000 disease policy limit \$500,000 each employee.

If Contractor is self-insured, evidence of state approval and excess workers compensation coverage must be provided. Coverage must include liability arising out of the U. S. Longshoremen's and Harbor Workers' Act, the Jones Act, and the Outer Continental Shelf Land Act, if applicable.

- D. Railroad Protective Liability insurance.** Contractor must maintain "Railroad Protective Liability" (RPL) insurance written on ISO occurrence form CG 00 35 12 04 (or a substitute form providing equivalent coverage) on behalf of Railroad as named insured, with a limit of not less than \$2,000,000 per occurrence and an aggregate of \$6,000,000. The definition of "JOB LOCATION" and "WORK" on the declaration page of the policy shall refer to this agreement and shall describe all WORK or OPERATIONS performed under this agreement. Contractor shall provide this agreement to Contractor's insurance agent(s) and/or broker(s) and Contractor shall instruct such agent(s) and/or broker(s) to procure the insurance coverage required by this agreement. A BINDER STATING THE POLICY IS IN PLACE MUST BE SUBMITTED TO RAILROAD BEFORE THE WORK MAY COMMENCE AND UNTIL THE ORIGINAL POLICY IS FORWARDED TO UNION PACIFIC RAILROAD.

- E. **Umbrella or Excess** insurance. If Contractor utilizes umbrella or excess policies, these policies must "follow form" and afford no less coverage than the primary policy.
- F. **Pollution Liability** insurance. Pollution liability coverage must be included when the scope of the work as defined in the agreement includes installation, temporary storage, or disposal of any "hazardous" material that is injurious in or upon land, the atmosphere, or any watercourses; or may cause bodily injury at any time.

If required, coverage may be provided in separate policy form or by endorsement to Contractors CGL or RPL. Any form coverage must be equivalent to that provided in ISO form CG 24 15 "Limited Pollution Liability Extension Endorsement" or CG 28 31 "Pollution Exclusion Amendment" with limits of at least \$5,000,000 per occurrence and an aggregate limit of \$10,000,000.

If the scope of work as defined in this agreement includes the disposal of any hazardous or non-hazardous materials from the job site, Contractor must furnish to Railroad evidence of pollution legal liability insurance maintained by the disposal site operator for losses arising from the insured facility accepting the materials, with coverage in minimum amounts of \$1,000,000 per loss, and an annual aggregate of \$2,000,000.

#### **Other Requirements**

- G. All policy(ies) required above (except business automobile, worker's compensation and employers liability) must include Railroad as "Additional Insured" using ISO Additional Insured Endorsements CG 20 10, and CG 20 37 (or substitute forms providing equivalent coverage). The coverage provided to Railroad as additional insured shall not be limited by Contractor's liability under the indemnity provisions of this agreement. BOTH CONTRACTOR AND RAILROAD EXPECT THAT UNION PACIFIC RAILROAD COMPANY WILL BE PROVIDED WITH THE BROADEST POSSIBLE COVERAGE AVAILABLE BY OPERATION OF LAW UNDER ISO ADDITIONAL INSURED FORMS CG 20 10 AND CG 20 37.
- H. Punitive damages exclusion, if any, must be deleted (and the deletion indicated on the certificate of insurance), unless (a) insurance coverage may not lawfully be obtained for any punitive damages that may arise under this agreement, or (b) all punitive damages are prohibited by all states in which this agreement will be performed.
- I. Contractor waives all rights of recovery, and its insurers also waive all rights of subrogation of damages against Railroad and its agents, officers, directors and employees for damages covered by the workers compensation and employers liability or commercial umbrella or excess liability obtained by Contractor required in this agreement where prohibited by law. This waiver must be stated on the certificate of insurance.
- J. Prior to commencing the work, Contractor shall furnish Railroad with a certificate(s) of insurance, executed by a duly authorized representative of each insurer, showing compliance with the insurance requirements in this agreement.
- K. All insurance policies must be written by a reputable insurance company acceptable to Railroad or with a current Best's Insurance Guide Rating of A- and Class VII or better, and authorized to do business in the state where the work is being performed.
- L. The fact that insurance is obtained by Contractor or by Railroad on behalf of Contractor will not be deemed to release or diminish the liability of Contractor, including, without limitation, liability under the indemnity provisions of this agreement. Damages recoverable by Railroad from Contractor or any third party will not be limited by the amount of the required insurance coverage.

- K.** All insurance policies must be written by a reputable insurance company acceptable to Railroad or with a current Best's Insurance Guide Rating of A- and Class VII or better, and authorized to do business in the state where the Work is being performed.
  
- L.** The fact that insurance is obtained by Contractor or by Railroad on behalf of Contractor will not be deemed to release or diminish the liability of Contractor, including, without limitation, liability under the indemnity provisions of this agreement. Damages recoverable by Railroad from Contractor or any third party will not be limited by the amount of the required insurance coverage.

**CONTRACTOR'S  
RIGHT OF ENTRY AGREEMENT**

**THIS AGREEMENT** is made and entered into as of the \_\_\_\_\_ day of \_\_\_\_\_, 20\_\_\_\_\_, by and between **UNION PACIFIC RAILROAD COMPANY**, a Delaware corporation ("Railroad"); and \_\_\_\_\_, a \_\_\_\_\_ corporation ("Contractor").

**RECITALS:**

Contractor has been hired by \_\_\_\_\_ to perform work relating to \_\_\_\_\_ (the "Work") with all or a portion of such Work to be performed on property of Railroad in the vicinity of Railroad's Milepost \_\_\_\_\_ on Railroad's \_\_\_\_\_ [Subdivision or Branch] [at or near DOT No. \_\_\_\_\_ located at or near \_\_\_\_\_, in \_\_\_\_\_ County, State of \_\_\_\_\_, as such location is in the general location shown on the print marked **Exhibit A**, attached hereto and hereby made a part hereof, which Work is the subject of a contract dated \_\_\_\_\_ between Railroad and \_\_\_\_\_.

Railroad is willing to permit Contractor to perform the Work described above at the location described above subject to the terms and conditions contained in this agreement

**AGREEMENT:**

**NOW, THEREFORE**, it is mutually agreed by and between Railroad and Contractor, as follows:

**ARTICLE 1 - DEFINITION OF CONTRACTOR.**

For purposes of this agreement, all references in this agreement to Contractor shall include Contractor's contractors, subcontractors, officers, agents and employees, and others acting under its or their authority. For purposes of clarity, Contractor agrees that any CIC (defined below) hired by Contractor is a subcontractor of Contractor and therefore included in the defined term Contractor pursuant to the foregoing sentence.

**ARTICLE 2 - RIGHT GRANTED; PURPOSE.**

Railroad hereby grants to Contractor the right, during the term hereinafter stated and upon and subject to each and all of the terms, provisions and conditions herein contained, to enter upon and have ingress to and egress from the property described in the Recitals for the purpose of performing the Work described in the Recitals above. The right herein granted to Contractor is limited to those portions of Railroad's property specifically described herein, or as designated by the Railroad Representative named in Article 4.

**ARTICLE 3 - TERMS AND CONDITIONS CONTAINED IN EXHIBITS B AND C.**

The terms and conditions contained in **Exhibit B** and **Exhibit C**, attached hereto, are hereby made a part of this agreement.



**ARTICLE 4 - ALL EXPENSES TO BE BORNE BY CONTRACTOR; RAILROAD REPRESENTATIVE.**

A. Contractor shall bear any and all costs and expenses associated with any Work performed by Contractor (including without limitation any CIC), or any costs or expenses incurred by Railroad relating to this agreement.

B. Contractor shall coordinate all of its Work with the following Railroad representative or his or her duly authorized representative (the "Railroad Representative"):

\_\_\_\_\_  
\_\_\_\_\_  
\_\_\_\_\_  
\_\_\_\_\_

C. Contractor, at its own expense, shall adequately police and supervise all Work to be performed by Contractor and shall ensure that such Work is performed in a safe manner as set forth in Section 7 of **Exhibit B**. The responsibility of Contractor for safe conduct and adequate policing and supervision of Contractor's Work shall not be lessened or otherwise affected by Railroad's approval of plans and specifications involving the Work, or by Railroad's collaboration in performance of any Work, or by the presence at the Work site of a Railroad Representative, or by compliance by Contractor with any requests or recommendations made by Railroad Representative.

**ARTICLE 5 - SCHEDULE OF WORK ON A MONTHLY BASIS.**

The Contractor, at its expense, shall provide on a monthly basis a detailed schedule of Work to the Railroad Representative named in Article 4B above. The reports shall start at the execution of this agreement and continue until this agreement is terminated as provided in this agreement or until the Contractor has completed all Work on Railroad's property.

**ARTICLE 6 - TERM; TERMINATION.**

A. The grant of right herein made to Contractor shall commence on the date of this agreement, and continue until \_\_\_\_\_, unless sooner terminated as herein provided, or at such time as Contractor has completed its Work on Railroad's property, whichever is earlier. Contractor agrees to notify the Railroad Representative in writing when it has completed its Work on Railroad's property.

B. This agreement may be terminated by either party on ten (10) days written notice to the other party.

**ARTICLE 7 - CERTIFICATE OF INSURANCE.**

A. Before commencing any Work and throughout the entire term of this Agreement, Contractor, at its expense, shall procure and maintain in full force and effect the types and minimum limits of insurance specified in **Exhibit C** of this agreement and require each of its subcontractors to include the insurance endorsements as required under Section 12 of **Exhibit B** of this agreement.

B. Not more frequently than once every two (2) years, Railroad may reasonably modify the required insurance coverage to reflect then-current risk management practices in the railroad industry and underwriting practices in the insurance industry.

C. Upon request of Railroad, Contractor shall provide to Railroad a certificate issued by its insurance

carrier evidencing the insurance coverage required under **Exhibit B**.

D. Contractor understands and accepts that the terms of this Article are wholly separate from and independent of the terms of any indemnity provisions contained in this Agreement.

D. Upon request of Railroad, insurance correspondence, binders, policies, certificates and endorsements shall be sent to:

Union Pacific Railroad Company

\_\_\_\_\_  
[Insert mailing address]

\_\_\_\_\_  
Attn: \_\_\_\_\_

Folder No. \_\_\_\_\_

**ARTICLE 8 - PRECONSTRUCTION MEETING.**

If the Work to be performed by the Contractor will involve the Railroad providing any flagging protection (or if a CIC is approved to provide flagging protection pursuant to the terms set forth herein) and/or there is separate work to be performed by the Railroad, the Contractor confirms that no work shall commence until the Railroad and Contractor participate in a preconstruction meeting involving flagging procedures and coordination of work activities of the Contractor and the Railroad (and any CIC, as applicable.)

**ARTICLE 9. DISMISSAL OF CONTRACTOR'S EMPLOYEE.**

At the request of Railroad, Contractor shall remove from Railroad's property any employee of Contractor who fails to conform to the instructions of the Railroad Representative in connection with the Work on Railroad's property, and any right of Contractor shall be suspended until such removal has occurred. Contractor shall indemnify Railroad against any claims arising from the removal of any such employee from Railroad's property.

**ARTICLE 10. ADMINISTRATIVE FEE.**

Upon the execution and delivery of this agreement, Contractor shall pay to Railroad One Thousand Twenty Five Dollars (\$1,025.00) as reimbursement for clerical, administrative and handling expenses in connection with the processing of this agreement.

**ARTICLE 11. CROSSINGS; COMPLIANCE WITH MUTCD AND FRA GUIDELINES.**

A. No additional vehicular crossings (including temporary haul roads) or pedestrian crossings over Railroad's trackage shall be installed or used by Contractor without the prior written permission of Railroad.

B. Any permanent or temporary changes, including temporary traffic control, to crossings must conform to the Manual of Uniform Traffic Control Devices (MUTCD) and any applicable Federal Railroad Administration rules, regulations and guidelines, and must be reviewed by the Railroad prior to any changes being implemented. In the event the Railroad is found to be out of compliance with federal safety regulations due to the Contractor's modifications, negligence, or any other reason arising from the Contractor's presence on the Railroad's property, the Contractor agrees to assume liability for any civil penalties imposed upon the Railroad for such noncompliance.

**ARTICLE 12.- EXPLOSIVES.**

Explosives or other highly flammable substances shall not be stored or used on Railroad's property without the prior written approval of Railroad.

**IN WITNESS WHEREOF**, the parties hereto have duly executed this agreement in duplicate as of the date first herein written.

**UNION PACIFIC RAILROAD COMPANY**

By: \_\_\_\_\_

Title: \_\_\_\_\_

\_\_\_\_\_  
(Name of Contractor)

By: \_\_\_\_\_

Name: \_\_\_\_\_

Title: \_\_\_\_\_

Phone: \_\_\_\_\_

E-Mail: \_\_\_\_\_

**EXHIBIT A**  
**TO**  
**CONTRACTOR'S RIGHT OF ENTRY AGREEMENT**

Exhibit A will be a print showing the general location of the work site.

**EXHIBIT B**  
**TO**  
**CONTRACTOR'S RIGHT OF ENTRY AGREEMENT**

**Section 1. NOTICE OF COMMENCEMENT OF WORK - RAILROAD FLAGGING - PRIVATE FLAGGING.**

A. Contractor agrees to notify the Railroad Representative at least ten (10) working days in advance of Contractor commencing its Work and at least thirty (30) working days in advance of proposed performance of any Work by Contractor in which any person or equipment will be within twenty-five (25) feet of any track, or will be near enough to any track that any equipment extension (such as, but not limited to, a crane boom) will reach to within twenty-five (25) feet of any track.

B. No work of any kind shall be performed, and no person, equipment, machinery, tool(s), material(s), vehicle(s), or thing(s) shall be located, operated, placed, or stored within twenty-five (25) feet of any of Railroad's track(s) at any time, for any reason, unless and until a Railroad approved flagman is provided to watch for trains. Upon receipt of such thirty (30)-day notice, the Railroad Representative will determine and inform Contractor whether a flagman need be present and whether Contractor needs to implement any special protective or safety measures.

C. Contractor shall be permitted to hire a private contractor to perform flagging or other special protective or safety measures (such private contractor being commonly known in the railroad industry as a contractor-in-charge ("CIC")) in lieu of Railroad providing such services or in concert with Railroad providing such services, subject to prior written approval by Railroad, which approval shall be in Railroad's sole and absolute discretion. If Railroad agrees to permit Contractor to utilize a CIC pursuant to the preceding sentence, Contractor shall obtain Railroad's prior approval in writing for each of the following items, as determined in all respects in Railroad's sole and absolute discretion: (i) the identity of the third-party performing the role of CIC; (ii) the scope of the services to be performed for the project by the approved CIC; and (iii) any other terms and conditions governing such services to be provided by the CIC. If flagging or other special protective or safety measures are performed by an approved CIC, Contractor shall be solely responsible for (and shall timely pay such CIC for) its services. Railroad reserves the right to rescind any approval pursuant to this Section 1, Subsection C., in whole or in part, at any time, as determined in Railroad's sole and absolute discretion.

D. If any flagging or other special protective or safety measures are performed by employees of Railroad and/or any contractor of Railroad, Railroad will bill Contractor for such expenses incurred by Railroad, unless Railroad and a federal, state or local governmental entity have agreed that Railroad is to bill such expenses to the federal, state or local governmental entity. If Railroad will be sending the bills to Contractor, Contractor shall pay such bills within thirty (30) days of Contractor's receipt of billing.

E. If any flagging or other special protective or safety measures are performed by Railroad or a CIC, Contractor agrees that Contractor is not relieved of any of its responsibilities or liabilities set forth in this agreement.

F. The provisions set forth in this subsection are only applicable for Flagging Services performed by employees of Railroad: the rate of pay per hour for each flagman will be the prevailing hourly rate in effect for an eight-hour day for the class of flagmen used during regularly assigned hours and overtime in accordance with labor agreements and schedules in effect at the time the Work is performed. In addition to the cost of such labor, a composite charge for vacation, holiday, health and welfare, supplemental sickness, Railroad Retirement and unemployment compensation, supplemental pension, Employees Liability and Property Damage and Administration will be included, computed on actual payroll. The composite charge will be the prevailing composite charge in effect at the time the Work is performed. One and one-half times the current hourly rate is

paid for overtime, Saturdays and Sundays, and two and one-half times current hourly rate for holidays. Wage rates are subject to change, at any time, by law or by agreement between Railroad and its employees, and may be retroactive as a result of negotiations or a ruling of an authorized governmental agency. Additional charges on labor are also subject to change. If the wage rate or additional charges are changed, Contractor (or the governmental entity, as applicable) shall pay on the basis of the new rates and charges. If flagging is performed by Railroad, reimbursement to Railroad will be required covering the full eight-hour day during which any flagman is furnished, unless the flagman can be assigned to other Railroad work during a portion of such day, in which event reimbursement will not be required for the portion of the day during which the flagman is engaged in other Railroad work. Reimbursement will also be required for any day not actually worked by the flagman following the flagman's assignment to work on the project for which Railroad is required to pay the flagman and which could not reasonably be avoided by Railroad by assignment of such flagman to other work, even though Contractor may not be working during such time. When it becomes necessary for Railroad to bulletin and assign an employee to a flagging position in compliance with union collective bargaining agreements, Contractor must provide Railroad a minimum of five (5) days notice prior to the cessation of the need for a flagman. If five (5) days notice of cessation is not given, Contractor will still be required to pay flagging charges for the five (5) day notice period required by union agreement to be given to the employee, even though flagging is not required for that period. An additional thirty (30) days notice must then be given to Railroad if flagging services are needed again after such five-day cessation notice has been given to Railroad.

**Section 2. LIMITATION AND SUBORDINATION OF RIGHTS GRANTED**

A. The foregoing grant of right is subject and subordinate to the prior and continuing right and obligation of the Railroad to use and maintain its entire property including the right and power of Railroad to construct, maintain, repair, renew, use, operate, change, modify or relocate railroad tracks, roadways, signal, communication, fiber optics, or other wirelines, pipelines and other facilities upon, along or across any or all parts of its property, all or any of which may be freely done at any time or times by Railroad without liability to Contractor or to any other party for compensation or damages.

B. The foregoing grant is also subject to all outstanding superior rights (whether recorded or unrecorded and including those in favor of licensees and lessees of Railroad's property, and others) and the right of Railroad to renew and extend the same, and is made without covenant of title or for quiet enjoyment.

**Section 3. NO INTERFERENCE WITH OPERATIONS OF RAILROAD AND ITS TENANTS.**

A. Contractor shall conduct its operations so as not to interfere with the continuous and uninterrupted use and operation of the railroad tracks and property of Railroad, including without limitation, the operations of Railroad's lessees, licensees or others, unless specifically authorized in advance by the Railroad Representative. Nothing shall be done or permitted to be done by Contractor at any time that would in any manner impair the safety of such operations. When not in use, Contractor's machinery and materials shall be kept at least twenty-five (25) feet from the centerline of Railroad's nearest track, and there shall be no vehicular crossings of Railroads tracks except at existing open public crossings.

B. Operations of Railroad and work performed by Railroad personnel and delays in the Work to be performed by Contractor caused by such railroad operations and Work are expected by Contractor, and Contractor agrees that Railroad shall have no liability to Contractor, or any other person or entity for any such delays. The Contractor shall coordinate its activities with those of Railroad and third parties so as to avoid interference with railroad operations. The safe operation of Railroad train movements and other activities by Railroad takes precedence over any Work to be performed by Contractor.

**Section 4. LIENS.**

Contractor shall pay in full all persons who perform labor or provide materials for the Work to be performed by Contractor. Contractor shall not create, permit or suffer any mechanic's or materialmen's liens of any kind or nature to be created or enforced against any property of Railroad for any such Work performed. Contractor shall indemnify and hold harmless Railroad from and against any and all liens, claims, demands, costs or expenses of whatsoever nature in any way connected with or growing out of such Work done, labor performed, or materials furnished. If Contractor fails to promptly cause any lien to be released of record, Railroad may, at its election, discharge the lien or claim of lien at Contractor's expense.

**Section 5. PROTECTION OF FIBER OPTIC CABLE SYSTEMS.**

A. Fiber optic cable systems may be buried on Railroad's property. Protection of the fiber optic cable systems is of extreme importance since any break could disrupt service to users resulting in business interruption and loss of revenue and profits. Contractor shall visit [www.up.com/CBUD](http://www.up.com/CBUD) to complete and submit the required form to determine if fiber optic cable is buried anywhere on Railroad's property to be used by Contractor. If it is, Contractor will telephone the telecommunications company(ies) involved, make arrangements for a cable locator and, if applicable, for relocation or other protection of the fiber optic cable. Contractor shall not commence any Work until all such protection or relocation (if applicable) has been accomplished.

**B. IN ADDITION TO OTHER INDEMNITY PROVISIONS IN THIS AGREEMENT, CONTRACTOR SHALL INDEMNIFY, DEFEND AND HOLD RAILROAD HARMLESS FROM AND AGAINST ALL COSTS, LIABILITY AND EXPENSE WHATSOEVER (INCLUDING, WITHOUT LIMITATION, ATTORNEYS' FEES, COURT COSTS AND EXPENSES) ARISING OUT OF ANY ACT OR OMISSION OF CONTRACTOR, ITS AGENTS AND/OR EMPLOYEES, THAT CAUSES OR CONTRIBUTES TO (1) ANY DAMAGE TO OR DESTRUCTION OF ANY TELECOMMUNICATIONS SYSTEM ON RAILROAD'S PROPERTY, AND/OR (2) ANY INJURY TO OR DEATH OF ANY PERSON EMPLOYED BY OR ON BEHALF OF ANY TELECOMMUNICATIONS COMPANY, AND/OR ITS CONTRACTOR, AGENTS AND/OR EMPLOYEES, ON RAILROAD'S PROPERTY. CONTRACTOR SHALL NOT HAVE OR SEEK RECOURSE AGAINST RAILROAD FOR ANY CLAIM OR CAUSE OF ACTION FOR ALLEGED LOSS OF PROFITS OR REVENUE OR LOSS OF SERVICE OR OTHER CONSEQUENTIAL DAMAGE TO A TELECOMMUNICATION COMPANY USING RAILROAD'S PROPERTY OR A CUSTOMER OR USER OF SERVICES OF THE FIBER OPTIC CABLE ON RAILROAD'S PROPERTY.**

**Section 6. PERMITS - COMPLIANCE WITH LAWS.**

In the prosecution of the Work covered by this agreement, Contractor shall secure any and all necessary permits and shall comply with all applicable federal, state and local laws, regulations and enactments affecting the Work including, without limitation, all applicable Federal Railroad Administration regulations.

**Section 7. SAFETY.**

A. Safety of personnel, property, rail operations and the public is of paramount importance in the prosecution of any Work on Railroad property performed by Contractor. Contractor shall be responsible for initiating, maintaining and supervising all safety, operations and programs in connection with the Work. Contractor shall, at a minimum, comply with Railroad's then current safety standards located at the below web address ("Railroad's Safety Standards") to ensure uniformity with the safety standards followed by Railroad's own forces. As a part of Contractor's safety responsibilities, Contractor shall notify Railroad if Contractor

determines that any of Railroad's Safety Standards are contrary to good safety practices. Contractor shall furnish copies of Railroad's Safety Standards to each of its employees before they enter Railroad property.

[http://www.up.com/cs/groups/public/@uprr/@suppliers/documents/up\\_pdf\\_natedocs/pdf\\_up\\_supplier\\_safety\\_req.pdf](http://www.up.com/cs/groups/public/@uprr/@suppliers/documents/up_pdf_natedocs/pdf_up_supplier_safety_req.pdf)

B. Without limitation of the provisions of paragraph A above, Contractor shall keep the job site free from safety and health hazards and ensure that its employees are competent and adequately trained in all safety and health aspects of the job.

C. Contractor shall have proper first aid supplies available on the job site so that prompt first aid services may be provided to any person injured on the job site. Contractor shall promptly notify Railroad of any U.S. Occupational Safety and Health Administration reportable injuries. Contractor shall have a nondelegable duty to control its employees while they are on the job site or any other property of Railroad, and to be certain they do not use, be under the influence of, or have in their possession any alcoholic beverage, drug or other substance that may inhibit the safe performance of any Work.

D. If and when requested by Railroad, Contractor shall deliver to Railroad a copy of Contractor's safety plan for conducting the Work (the "Safety Plan"). Railroad shall have the right, but not the obligation, to require Contractor to correct any deficiencies in the Safety Plan. The terms of this agreement shall control if there are any inconsistencies between this agreement and the Safety Plan.

**Section 8. INDEMNITY.**

**A. TO THE FULLEST EXTENT ALLOWED BY APPLICABLE LAW, CONTRACTOR SHALL INDEMNIFY, DEFEND AND HOLD HARMLESS RAILROAD, ITS AFFILIATES, AND ITS AND THEIR OFFICERS, AGENTS AND EMPLOYEES (INDIVIDUALLY AN "INDEMNIFIED PARTY" OR COLLECTIVELY "INDEMNIFIED PARTIES") FROM AND AGAINST ANY AND ALL LOSS, DAMAGE, INJURY, LIABILITY, CLAIM, DEMAND, COST OR EXPENSE (INCLUDING, WITHOUT LIMITATION, ATTORNEY'S, CONSULTANT'S AND EXPERT'S FEES, AND COURT COSTS), FINE OR PENALTY (COLLECTIVELY, "LOSS") INCURRED BY ANY PERSON (INCLUDING, WITHOUT LIMITATION, ANY INDEMNIFIED PARTY, CONTRACTOR, OR ANY EMPLOYEE OF CONTRACTOR OR OF ANY INDEMNIFIED PARTY) ARISING OUT OF OR IN ANY MANNER CONNECTED WITH (I) ANY WORK PERFORMED BY CONTRACTOR, OR (II) ANY ACT OR OMISSION OF CONTRACTOR, ITS OFFICERS, AGENTS OR EMPLOYEES, OR (III) ANY BREACH OF THIS AGREEMENT BY CONTRACTOR.**

**B. THE RIGHT TO INDEMNITY UNDER THIS SECTION 8 SHALL ACCRUE UPON OCCURRENCE OF THE EVENT GIVING RISE TO THE LOSS, AND SHALL APPLY REGARDLESS OF ANY NEGLIGENCE OR STRICT LIABILITY OF ANY INDEMNIFIED PARTY, EXCEPT WHERE THE LOSS IS CAUSED BY THE SOLE ACTIVE NEGLIGENCE OF AN INDEMNIFIED PARTY AS ESTABLISHED BY THE FINAL JUDGMENT OF A COURT OF COMPETENT JURISDICTION. THE SOLE ACTIVE NEGLIGENCE OF ANY INDEMNIFIED PARTY SHALL NOT BAR THE RECOVERY OF ANY OTHER INDEMNIFIED PARTY.**

**C. CONTRACTOR EXPRESSLY AND SPECIFICALLY ASSUMES POTENTIAL LIABILITY UNDER THIS SECTION 8 FOR CLAIMS OR ACTIONS BROUGHT BY CONTRACTOR'S OWN EMPLOYEES. CONTRACTOR WAIVES ANY IMMUNITY IT MAY HAVE UNDER WORKER'S COMPENSATION OR INDUSTRIAL INSURANCE ACTS TO INDEMNIFY THE INDEMNIFIED PARTIES UNDER THIS SECTION 8. CONTRACTOR ACKNOWLEDGES THAT THIS WAIVER WAS MUTUALLY NEGOTIATED BY THE PARTIES HERETO.**

**D. NO COURT OR JURY FINDINGS IN ANY EMPLOYEE'S SUIT PURSUANT TO ANY**



**WORKER'S COMPENSATION ACT OR THE FEDERAL EMPLOYERS' LIABILITY ACT AGAINST A PARTY TO THIS AGREEMENT MAY BE RELIED UPON OR USED BY CONTRACTOR IN ANY ATTEMPT TO ASSERT LIABILITY AGAINST ANY INDEMNIFIED PARTY.**

**E. THE PROVISIONS OF THIS SECTION 8 SHALL SURVIVE THE COMPLETION OF ANY WORK PERFORMED BY CONTRACTOR OR THE TERMINATION OR EXPIRATION OF THIS AGREEMENT. IN NO EVENT SHALL THIS SECTION 8 OR ANY OTHER PROVISION OF THIS AGREEMENT BE DEEMED TO LIMIT ANY LIABILITY CONTRACTOR MAY HAVE TO ANY INDEMNIFIED PARTY BY STATUTE OR UNDER COMMON LAW.**

**Section 9. RESTORATION OF PROPERTY.**

In the event Railroad authorizes Contractor to take down any fence of Railroad or in any manner move or disturb any of the other property of Railroad in connection with the Work to be performed by Contractor, then in that event Contractor shall, as soon as possible and at Contractor's sole expense, restore such fence and other property to the same condition as the same were in before such fence was taken down or such other property was moved or disturbed. Contractor shall remove all of Contractor's tools, equipment, rubbish and other materials from Railroad's property promptly upon completion of the Work, restoring Railroad's property to the same state and condition as when Contractor entered thereon.

**Section 10. WAIVER OF DEFAULT.**

Waiver by Railroad of any breach or default of any condition, covenant or agreement herein contained to be kept, observed and performed by Contractor shall in no way impair the right of Railroad to avail itself of any remedy for any subsequent breach or default.

**Section 11. MODIFICATION - ENTIRE AGREEMENT.**

No modification of this agreement shall be effective unless made in writing and signed by Contractor and Railroad. This agreement and the exhibits attached hereto and made a part hereof constitute the entire understanding between Contractor and Railroad and cancel and supersede any prior negotiations, understandings or agreements, whether written or oral, with respect to the Work to be performed by Contractor.

**Section 12. ASSIGNMENT - SUBCONTRACTING.**

Contractor shall not assign or subcontract this agreement, or any interest therein, without the written consent of the Railroad. Contractor shall be responsible for the acts and omissions of all subcontractors. Before Contractor commences any Work, the Contractor shall, except to the extent prohibited by law; (1) require each of its subcontractors to include the Contractor as "Additional Insured" on the subcontractor's Commercial General Liability policy and Umbrella or Excess policies (if applicable) with respect to all liabilities arising out of the subcontractor's performance of Work on behalf of the Contractor by endorsing these policies with ISO Additional Insured Endorsements CG 20 10, and CG 20 37 (or substitute forms providing equivalent coverage; (2) require each of its subcontractors to endorse their Commercial General Liability Policy with "Contractual Liability Railroads" ISO Form CG 24 17 10 01 (or a substitute form providing equivalent coverage) for the job site; and (3) require each of its subcontractors to endorse their Business Automobile Policy with "Coverage For Certain Operations In Connection With Railroads" ISO Form CA 20 70 10 01 (or a substitute form providing equivalent coverage) for the job site.

**EXHIBIT C**  
**TO**  
**CONTRACTOR'S**  
**RIGHT OF ENTRY AGREEMENT**

**Union Pacific Railroad Company**  
**Insurance Requirements For**  
**Contractor's Right of Entry Agreement**

During the entire term of this Agreement and course of the Project, and until all Project Work on Railroad's property has been completed and all equipment and materials have been removed from Railroad's property and Railroad's property has been clean and restored to Railroad's satisfaction, Contractor shall, at its sole cost and expense, procure and maintain the following insurance coverage:

- A. Commercial General Liability insurance.** Commercial general liability (CGL) with a limit of not less than \$5,000,000 each occurrence and an aggregate limit of not less than \$10,000,000. CGL insurance must be written on ISO occurrence form CG 00 01 12 04 (or a substitute form providing equivalent coverage).

The policy must also contain the following endorsement, which must be stated on the certificate of insurance:

- Contractual Liability Railroads ISO form CG 24 17 10 01 (or a substitute form providing equivalent coverage) showing "Union Pacific Railroad Company Property" as the Designated Job Site.
- Designated Construction Project(s) General Aggregate Limit ISO Form CG 25 03 03 97 (or a substitute form providing equivalent coverage) showing the project on the form schedule.

- B. Business Automobile Coverage insurance.** Business auto coverage written on ISO form CA 00 01 10 01 (or a substitute form providing equivalent liability coverage) with a combined single limit of not less than \$5,000,000 for each accident and coverage must include liability arising out of any auto (including owned, hired and non-owned autos).

The policy must contain the following endorsements, which must be stated on the certificate of insurance:

- Coverage For Certain Operations In Connection With Railroads ISO form CA 20 70 10 01 (or a substitute form providing equivalent coverage) showing "Union Pacific Property" as the Designated Job Site.
- Motor Carrier Act Endorsement - Hazardous materials clean up (MCS-90) if required by law.

- C. Workers' Compensation and Employers' Liability insurance.** Coverage must include but not be limited to:

- Contractor's statutory liability under the workers' compensation laws of the state where the Work is being performed.
- Employers' Liability (Part B) with limits of at least \$500,000 each accident, \$500,000 disease policy limit \$500,000 each employee.

If Contractor is self-insured, evidence of state approval and excess workers compensation coverage must be provided. Coverage must include liability arising out of the U. S. Longshoremen's and Harbor Workers' Act, the Jones Act, and the Outer Continental Shelf Land Act, if applicable.

- D. Railroad Protective Liability insurance.** Contractor must maintain "Railroad Protective Liability" (RPL) insurance written on ISO occurrence form CG 00 35 12 04 (or a substitute form providing equivalent coverage) on behalf of Railroad as named insured, with a limit of not less than \$2,000,000 per occurrence

and an aggregate of \$6,000,000. The definition of "JOB LOCATION" and "WORK" on the declaration page of the policy shall refer to this agreement and shall describe all WORK or OPERATIONS performed under this agreement. Contractor shall provide this agreement to Contractor's insurance agent(s) and/or broker(s) and Contractor shall instruct such agent(s) and/or broker(s) to procure the insurance coverage required by this agreement. A BINDER STATING THE POLICY IS IN PLACE MUST BE SUBMITTED TO RAILROAD BEFORE THE WORK MAY COMMENCE AND UNTIL THE ORIGINAL POLICY IS FORWARDED TO UNION PACIFIC RAILROAD.

- E. **Umbrella or Excess** insurance. If Contractor utilizes umbrella or excess policies, these policies must "follow form" and afford no less coverage than the primary policy.
- F. **Pollution Liability** insurance. Pollution liability coverage must be included when the scope of the Work as defined in the agreement includes installation, temporary storage, or disposal of any "hazardous" material that is injurious in or upon land, the atmosphere, or any watercourses; or may cause bodily injury at any time.

If required, coverage may be provided in separate policy form or by endorsement to Contractors CGL or RPL. Any form coverage must be equivalent to that provided in ISO form CG 24 15 "Limited Pollution Liability Extension Endorsement" or CG 28 31 "Pollution Exclusion Amendment" with limits of at least \$5,000,000 per occurrence and an aggregate limit of \$10,000,000.

If the scope of Work as defined in this agreement includes the disposal of any hazardous or non-hazardous materials from the job site, Contractor must furnish to Railroad evidence of pollution legal liability insurance maintained by the disposal site operator for losses arising from the insured facility accepting the materials, with coverage in minimum amounts of \$1,000,000 per loss, and an annual aggregate of \$2,000,000.

### **Other Requirements**

- G. All policy(ies) required above (except business automobile, worker's compensation and employers liability) must include Railroad as "Additional Insured" using ISO Additional Insured Endorsements CG 20 10, and CG 20 37 (or substitute forms providing equivalent coverage). The coverage provided to Railroad as additional insured shall not be limited by Contractor's liability under the indemnity provisions of this agreement. BOTH CONTRACTOR AND RAILROAD EXPECT THAT UNION PACIFIC RAILROAD COMPANY WILL BE PROVIDED WITH THE BROADEST POSSIBLE COVERAGE AVAILABLE BY OPERATION OF LAW UNDER ISO ADDITIONAL INSURED FORMS CG 20 10 AND CG 20 37.
- H. Punitive damages exclusion, if any, must be deleted (and the deletion indicated on the certificate of insurance), unless (a) insurance coverage may not lawfully be obtained for any punitive damages that may arise under this agreement, or (b) all punitive damages are prohibited by all states in which this agreement will be performed.
- I. Contractor waives all rights of recovery, and its insurers also waive all rights of subrogation of damages against Railroad and its agents, officers, directors and employees for damages covered by the workers compensation and employers liability or commercial umbrella or excess liability obtained by Contractor required in this agreement where prohibited by law. This waiver must be stated on the certificate of insurance.
- J. Prior to commencing the Work, Contractor shall furnish Railroad with a certificate(s) of insurance, executed by a duly authorized representative of each insurer, showing compliance with the insurance requirements in this agreement.

- K.** All insurance policies must be written by a reputable insurance company acceptable to Railroad or with a current Best's Insurance Guide Rating of A- and Class VII or better, and authorized to do business in the state where the Work is being performed.
  
- L.** The fact that insurance is obtained by Contractor or by Railroad on behalf of Contractor will not be deemed to release or diminish the liability of Contractor, including, without limitation, liability under the indemnity provisions of this agreement. Damages recoverable by Railroad from Contractor or any third party will not be limited by the amount of the required insurance coverage.

**CEMENT, FINELY DIVIDED MINERALS, ADMIXTURES; CONCRETE, AND MORTAR (BDE)**

Effective: January 1, 2025

Revise the first paragraph of Article 285.05 of the Standard Specifications to read:

**“285.05 Fabric Formed Concrete Revetment Mat.** The grout shall consist of a mixture of cement, fine aggregate, and water so proportioned and mixed as to provide a pumpable slurry. Fly ash or ground granulated blast furnace (GGBF) slag, and concrete admixtures may be used at the option of the Contractor. The grout shall have an air content of not less than 6.0 percent nor more than 9.0 percent of the volume of the grout. The mix shall obtain a compressive strength of 2500 psi (17,000 kPa) at 28 days according to Article 1020.09.”

Revise Article 302.02 of the Standard Specifications to read:

**“302.02 Materials.** Materials shall be according to the following.

Item	Article/Section
(a) Cement .....	1001
(b) Water .....	1002
(c) Hydrated Lime .....	1012.01
(d) By-Product, Hydrated Lime .....	1012.02
(e) By-Product, Non-Hydrated Lime .....	1012.03
(f) Lime Slurry .....	1012.04
(g) Fly Ash .....	1010
(h) Soil for Soil Modification (Note 1) .....	1009.01
(i) Bituminous Materials (Note 2) .....	1032

Note 1. This soil requirement only applies when modifying with lime (slurry or dry).

Note 2. The bituminous materials used for curing shall be emulsified asphalt RS-2, CRS-2, HFE 90, or HFE 150; rapid curing liquid asphalt RC-70; or medium curing liquid asphalt MC-70 or MC-250.”

Revise Article 312.07(c) of the Standard Specifications to read:

“(c) Cement .....1001”

Add Article 312.07(i) of the Standard Specifications to read:

“(i) Ground Granulated Blast Furnace (GGBF) Slag .....1010”

Revise the first paragraph of Article 312.09 of the Standard Specifications to read:

**“312.09 Proportioning and Mix Design.** At least 60 days prior to start of placing CAM II, the Contractor shall submit samples of materials to be used in the work for proportioning and testing.

The mixture shall contain a minimum of 200 lb (120 kg) of cement per cubic yard (cubic meter). Cement may be replaced with fly ash or ground granulated blast furnace (GGBF) slag according to Article 1020.05(c)(1) or 1020.05(c)(2), respectively, however the minimum cement content in the mixture shall be 170 lbs/cu yd (101 kg/cu m). Blends of coarse and fine aggregates will be permitted, provided the volume of fine aggregate does not exceed the volume of coarse aggregate. The Engineer will determine the proportions of materials for the mixture according to the "Portland Cement Concrete Level III Technician Course" manual. However, the Contractor may substitute their own mix design. Article 1020.05(a) shall apply, and a Level III PCC Technician shall develop the mix design."

Revise Article 352.02 of the Standard Specifications to read:

**"352.02 Materials.** Materials shall be according to the following.

Item	Article/Section
(a) Cement (Note 1) .....	1001
(b) Soil for Soil-Cement Base Course .....	1009.03
(c) Water .....	1002
(d) Bituminous Materials (Note 2) .....	1032

Note 1. Bulk cement may be used for the traveling mixing plant method if the equipment for handling, weighing, and spreading the cement is approved by the Engineer.

Note 2. The bituminous materials used for curing shall be emulsified asphalt RS-2, CRS-2, HFE 90, or HFE 150; rapid curing liquid asphalt RC-70; or medium curing liquid asphalt MC-70 or MC-250."

Revise Article 404.02 of the Standard Specifications to read:

**"404.02 Materials.** Materials shall be according to the following.

Item	Article/Section
(a) Cement .....	1001
(b) Water .....	1002
(c) Fine Aggregate .....	1003.08
(d) Bituminous Material (Tack Coat) .....	1032.06
(e) Emulsified Asphalts (Note 1) (Note 2) .....	1032.06
(f) Fiber Modified Joint Sealer .....	1050.05
(g) Additives (Note 3)	

Note 1. When used for slurry seal, the emulsified asphalt shall be CQS-1h according to Article 1032.06(b).

Note 2. When used for micro-surfacing, the emulsified asphalt shall be CQS-1hP according to Article 1032.06(e).

Note 3. Additives may be added to the emulsion mix or any of the component materials to provide the control of the quick-traffic properties. They shall be included as part of the mix design and be compatible with the other components of the mix.

Revise the last sentence of the fourth paragraph of Article 404.08 of the Standard Specifications to read:

“When approved by the Engineer, the sealant may be dusted with fine sand, cement, or mineral filler to prevent tracking.”

Revise Note 2 of Article 516.02 of the Standard Specifications to read:

“Note 2. The sand-cement grout mix shall be according to Section 1020 and shall be a 1:1 blend of sand and cement comprised of a Type I, IL, or II cement at 185 lb/cu yd (110 kg/cu m). The maximum water cement ratio shall be sufficient to provide a flowable mixture with a typical slump of 10 in. (250 mm).”

Revise Note 2 of Article 543.02 of the Standard Specifications to read:

“Note 2. The grout mixture shall be 6.50 hundredweight/cu yd (385 kg/cu m) of cement plus fine aggregate and water. Fly ash or ground granulated blast furnace (GGBF) slag may replace a maximum of 5.25 hundredweight/cu yd (310 kg/cu m) of the cement. The water/cement ratio, according to Article 1020.06, shall not exceed 0.60. An air-entraining admixture shall be used to produce an air content, according to Article 1020.08, of not less than 6.0 percent nor more than 9.0 percent of the volume of the grout. The Contractor shall have the option to use a water-reducing or high range water-reducing admixture.”

Revise Article 583.01 of the Standard Specifications to read:

“**583.01 Description.** This work shall consist of placing cement mortar along precast, prestressed concrete bridge deck beams as required for fairing out any unevenness between adjacent deck beams prior to placing of waterproofing membrane and surfacing.”

Revise Article 583.02(a) of the Standard Specifications to read:

“(a) Cement .....1001”

Revise the first paragraph of Article 583.03 of the Standard Specifications to read:

“**583.03 General.** This work shall only be performed when the air temperature is 45 °F (7 °C) and rising. The mixture for cement mortar shall consist of three parts sand to one part cement by volume. The amount of water shall be no more than that necessary to produce a workable, plastic mortar.”

Revise Note 2/ in Article 1003.01(b) of the Standard Specifications to read:

“2/ Applies only to sand. Sand exceeding the colorimetric test standard of 11 (Illinois Modified AASHTO T 21) will be checked for mortar making properties according to Illinois Modified ASTM C 87 and shall develop a compressive strength at the age of 14 days when using Type I, IL, or II cement of not less than 95 percent of the comparable standard.

Revise the second sentence of Article 1003.02(e)(1) of the Standard Specifications to read:

“The test will be performed with Type I, IL, or II portland cement having a total equivalent alkali content ( $\text{Na}_2\text{O} + 0.658\text{K}_2\text{O}$ ) of 0.90 percent or greater.”

Revise the first sentence of the second paragraph of Article 1003.02(e)(3) of the Standard Specifications to read:

“The ASTM C 1293 test shall be performed with Type I, IL, or II portland cement having a total equivalent alkali content ( $\text{Na}_2\text{O} + 0.658\text{K}_2\text{O}$ ) of 0.80 percent or greater.”

Revise the second sentence of Article 1004.02(g)(1) of the Standard Specifications to read:

“The test will be performed with Type I, IL, or II portland cement having a total equivalent alkali content ( $\text{Na}_2\text{O} + 0.658\text{K}_2\text{O}$ ) of 0.90 percent or greater.”

Revise Article 1017.01 of the Standard Specifications to read:

“**1017.01 Requirements.** The mortar shall be high-strength according to ASTM C 387 and shall have a minimum 80.0 percent relative dynamic modulus of elasticity when tested by the Department according to Illinois Modified AASHTO T 161 or AASHTO T 161 when tested by an independent lab. The high-strength mortar shall have a water-soluble chloride ion content of less than 0.40 lb/cu yd (0.24 kg/cu m). The test shall be performed according to ASTM C 1218, and the high-strength mortar shall have an age of 28 to 42 days at the time of test. The ASTM C 1218 test shall be performed by an independent lab a minimum of once every five years, and the test results shall be provided to the Department. Mixing of the high-strength mortar shall be according to the manufacturer’s specifications. The Department will maintain a qualified product list.”

Revise the fourth sentence of Article 1018.01 of the Standard Specifications to read:

“The ASTM C 1218 test shall be performed by an independent lab a minimum of once every five years, and the test results shall be provided to the Department.”

Revise Article 1019.02 of the Standard Specifications to read:

“**1019.02 Materials.** Materials shall be according to the following.

Item	Article/Section
(a) Cement .....	1001
(b) Water .....	1002



- (c) Fine Aggregate for Controlled Low-Strength Material (CLSM) ..... 1003.06
- (d) Fly Ash ..... 1010
- (e) Ground Granulated Blast Furnace (GGBF) Slag..... 1010
- (f) Admixtures (Note 1)

Note 1. The air-entraining admixture may be in powder or liquid form. Prior to approval, a CLSM air-entraining admixture will be evaluated by the Department. The admixture shall be able to meet the air content requirements of Mix 2. The Department will maintain a qualified product list.”

Revise Article 1019.05 of the Standard Specifications to read:

“**1019.05 Department Mix Design.** The Department mix design shall be Mix 1, 2, or 3 and shall be proportioned to yield approximately one cubic yard (cubic meter).

Mix 1	
Cement	50 lb (30 kg)
Fly Ash – Class C or F, and/or GGBF Slag	125 lb (74 kg)
Fine Aggregate – Saturated Surface Dry	2900 lb (1720 kg)
Water	50-65 gal (248-322 L)
Air Content	No air is entrained

Mix 2	
Cement	125 lb (74 kg)
Fine Aggregate – Saturated Surface Dry	2500 lb (1483 kg)
Water	35-50 gal (173-248 L)
Air Content	15-25 %

Mix 3	
Cement	40 lb (24 kg)
Fly Ash – Class C or F, and/or GGBF Slag	125 lb (74 kg)
Fine Aggregate – Saturated Surface Dry	2500 lb (1483 kg)
Water	35-50 gal (179-248 L)
Air Content	15-25 %”

Revise Article 1020.04, Table 1, Note (8) of the Standard Specifications to read:

“(8) In addition to the Type III portland cement, 100 lb/cu yd of ground granulated blast-furnace slag and 50 lb/cu yd of microsilica (silica fume) shall be used. For an air temperature greater than 85 °F, the Type III portland cement may be replaced with Type I, IL, or II portland cement.”

Revise Article 1020.04, Table 1 (Metric), Note (8) of the Standard Specifications to read:

“(8) In addition to the Type III portland cement, 60 kg/cu m of ground granulated blast-furnace slag and 30 kg/cu m of microsilica (silica fume) shall be used. For an air temperature greater than 30 °C, the Type III portland cement may be replaced with Type I, IL, or II portland cement.”

Revise the second paragraph of Article 1020.05(a) of the Standard Specifications to read:

“For a mix design using a portland-pozzolan cement, portland blast-furnace slag cement, portland-limestone cement, or replacing portland cement with finely divided minerals per Articles 1020.05(c) and 1020.05(d), the Contractor may submit a mix design with a minimum portland cement content less than 400 lbs/cu yd (237 kg/cu m), but not less than 375 lbs/cu yd (222 kg/cu m), if the mix design is shown to have a minimum relative dynamic modulus of elasticity of 80 percent determined according to AASHTO T 161. Testing shall be performed by an independent laboratory accredited by AASHTO re:source for Portland Cement Concrete.”

Revise the first sentence of the first paragraph of Article 1020.05(b) of the Standard Specifications to read:

“Corrosion inhibitors and concrete admixtures shall be according to the qualified product lists.”

Delete the fourth and fifth sentences of the second paragraph of Article 1020.05(b) of the Standard Specifications.

Revise the third sentence of the second paragraph of Article 1020.05(b)(5) of the Standard Specifications to read:

“The qualified product lists of concrete admixtures shall not apply.”

Revise second paragraph of Article 1020.05(b)(10) of the Standard Specifications to read:

“When calcium nitrite is used, it shall be added at the rate of 4 gal/cu yd (20 L/cu m) and shall be added to the mix immediately after all compatible admixtures have been introduced to the batch. Other corrosion inhibitors shall be added per the manufacturer’s specifications.”

Delete the third paragraph of Article 1020.05(b)(10) of the Standard Specifications.

Revise Article 1020.15(b)(1)c. of the Standard Specifications to read:

“c. The minimum portland cement content in the mixture shall be 375 lbs/cu yd (222 kg/cu m). When the total of organic processing additions, inorganic processing additions, and limestone addition exceed 5.0 percent in the cement, the minimum portland cement content in the mixture shall be 400 lbs/cu yd (237 kg/cu m). For a drilled shaft, foundation, footing, or substructure, the

minimum portland cement may be reduced to as low as 330 lbs/cu yd (196 kg/cu m) if the concrete has adequate freeze/thaw durability. The Contractor shall provide freeze/thaw test results according to AASHTO T 161, and the relative dynamic modulus of elasticity of the mix design shall be a minimum of 80 percent. Testing shall be performed by an independent laboratory accredited by AASHTO re:source for Portland Cement Concrete. Freeze/thaw testing will not be required for concrete that will not be exposed to freezing and thawing conditions as determined by the Engineer.”

Revise Article 1021.01 of the Standard Specifications to read:

“**1021.01 General.** Admixtures shall be furnished in liquid or powder form ready for use. The admixtures shall be delivered in the manufacturer's original containers, bulk tank trucks or such containers or tanks as are acceptable to the Engineer. Delivery shall be accompanied by a ticket which clearly identifies the manufacturer, the date of manufacture, and trade name of the material. Containers shall be readily identifiable as to manufacturer, the date of manufacture, and trade name of the material they contain.

Concrete admixtures shall be on one of the Department's qualified product lists. Unless otherwise noted, admixtures shall have successfully completed and remain current with the AASHTO Product Eval and Audit Concrete Admixture (CADD) testing program. For admixture submittals to the Department; the product brand name, manufacturer name, admixture type or types, an electronic link to the product's technical data sheet, and the NTPEP testing number which contains an electronic link to all test data shall be provided. In addition, a letter shall be submitted certifying that no changes have been made in the formulation of the material since the most current round of tests conducted by AASHTO Product Eval and Audit. After 28 days of testing by AASHTO Product Eval and Audit, air-entraining admixtures may be provisionally approved and used on Departmental projects. For all other admixtures, unless otherwise noted, the time period after which provisionally approved status may be earned is 6 months.

The manufacturer shall include the following in the submittal to the AASHTO Product Eval and Audit CADD testing program: the manufacturing range for specific gravity, the midpoint and manufacturing range for residue by oven drying, and manufacturing range of pH. The submittal shall also include an infrared spectrophotometer trace no more than five years old.

For air-entraining admixtures according to Article 1021.02, the specific gravity allowable manufacturing range established by the manufacturer shall be according to AASHTO M 194. For residue by oven drying and pH, the allowable manufacturing range and test methods shall be according to AASHTO M 194.

For admixtures according to Articles 1021.03, 1021.04, 1021.05, 1021.06, 1021.07, and 1021.08, the pH allowable manufacturing range established by the manufacturer shall be according to ASTM E 70. For specific gravity and residue by oven drying, the allowable manufacturing range and test methods shall be according to AASHTO M 194.

All admixtures, except chloride-based accelerators, shall contain a maximum of 0.3 percent chloride by weight (mass) as determined by an appropriate test method. To verify the test result, the Department will use Illinois Modified AASHTO T 260, Procedure A, Method 1.

Prior to final approval of an admixture, the Engineer reserves the right to request a sample for testing. The test and reference concrete mixtures tested by the Engineer will contain a cement content of 5.65 cwt/cu yd (335 kg/cu m). For freeze-thaw testing, the Department will perform the test according to Illinois Modified AASHTO T 161. The flexural strength test will be performed according to AASHTO T 177. If the Engineer decides to test the admixture, the manufacturer shall submit AASHTO T 197 water content and set time test results on the standard cement used by the Department. The manufacturer may select their lab or an independent lab to perform this testing. The laboratory is not required to be accredited by AASHTO.

Random field samples may be taken by the Department to verify an admixture meets specification. A split sample will be provided to the manufacturer if requested. Admixtures that do not meet specification requirements or an allowable manufacturing range established by the manufacturer shall be replaced with new material.”

Revise Article 1021.03 of the Standard Specifications to read:

“**1021.03 Retarding and Water-Reducing Admixtures.** The admixture shall be according to the following.

- (a) Retarding admixtures shall be according to AASHTO M 194, Type B (retarding) or Type D (water-reducing and retarding).
- (b) Water-reducing admixtures shall be according to AASHTO M 194, Type A.
- (c) High range water-reducing admixtures shall be according to AASHTO M 194, Type F (high range water-reducing) or Type G (high range water-reducing and retarding).”

Revise Article 1021.05 of the Standard Specifications to read:

“**1021.05 Self-Consolidating Admixtures.** Self-consolidating admixture systems shall consist of either a high range water-reducing admixture only or a high range water-reducing admixture combined with a separate viscosity modifying admixture. The one or two component admixture system shall be capable of producing a concrete that can flow around reinforcement and consolidate under its own weight without additional effort and without segregation.

High range water-reducing admixtures shall be according to AASHTO M 194, Type F.

Viscosity modifying admixtures shall be according to AASHTO M 194, Type S (specific performance).”

Revise Article 1021.06 of the Standard Specifications to read:

**“1021.06 Rheology-Controlling Admixture.** Rheology-controlling admixtures shall be capable of producing a concrete mixture with a lower yield stress that will consolidate easier for slipform applications used by the Contractor. Rheology-controlling admixtures shall be according to AASHTO M 194, Type S (specific performance).”

Revise Article 1021.07 of the Standard Specifications to read:

**“1021.07 Corrosion Inhibitor.** The corrosion inhibitor shall be according to one of the following.

- (a) Calcium Nitrite. Corrosion inhibitors shall contain a minimum 30 percent calcium nitrite by weight (mass) of solution and shall comply with either the requirements of AASHTO M 194, Type C (accelerating) or the requirements of ASTM C 1582. The corrosion inhibiting performance requirements of ASTM C 1582 shall not apply.
- (b) Other Materials. The corrosion inhibitor shall be according to ASTM C 1582.

For submittals requiring testing according to ASTM M 194, Type C (accelerating), the admixture shall meet the requirements of the AASHTO Product Eval and Audit CADD testing program according to Article 1021.01.

For submittals requiring testing according to ASTM C 1582, a report prepared by an independent laboratory accredited by AASHTO re:source for portland cement concrete shall be provided. The report shall show the results of physical tests conducted no more than five years prior to the time of submittal, according to applicable specifications. However, ASTM G 109 test information specified in ASTM C 1582 is not required to be from an independent accredited lab. All other information in ASTM C 1582 shall be from an independent accredited lab. Test data and other information required to be submitted to AASHTO Product Eval and Audit according to Article 1021.01, shall instead be submitted directly to the Department.”

Add Article 1021.08 of the Standard Specifications as follows:

**“1021.08 Other Specific Performance Admixtures.** Other specific performance admixtures shall, at a minimum, be according to AASHTO M 194, Type S (specific performance). The Department also reserves the right to require other testing, as determined by the Engineer, to show evidence of specific performance characteristics.

Initial testing according to AASHTO M 194 may be conducted under the AASHTO Product Eval and Audit CADD testing program according to Article 1021.01, or by an independent laboratory accredited by AASHTO re:source for Portland Cement Concrete. In either case, test data and other information required to be submitted to AASHTO Product Eval and Audit according to Article 1021.01, shall also be submitted directly to the Department. The independent accredited lab report shall show the results of physical tests conducted no more than five years prior to the time of submittal, according to applicable specifications.”

Revise Article 1024.01 of the Standard Specifications to read:

**“1024.01 Requirements for Grout.** The grout shall be proportioned by dry volume, thoroughly mixed, and shall have a minimum temperature of 50 °F (10 °C). Water shall not exceed the minimum needed for placement and finishing.

Materials for the grout shall be according to the following.

Item	Article/Section
(a) Cement .....	1001
(b) Water .....	1002
(c) Fine Aggregate .....	1003.02
(d) Fly Ash .....	1010
(e) Ground Granulated Blast Furnace (GGBF) Slag.....	1010
(f) Concrete Admixtures .....	1021”

Revise Note 1 of Article 1024.02 of the Standard Specifications to read:

“Note 1. Nonshrink grout shall be according to Illinois Modified ASTM C 1107.

The nonshrink grout shall have a water-soluble chloride ion content of less than 0.40 lb/cu yd (0.24 kg/cu m). The test shall be performed according to ASTM C 1218, and the grout shall have an age of 28 to 42 days at the time of test. The ASTM C 1218 test shall be performed by an independent lab a minimum of once every five years, and the test results shall be provided to the Department. Mixing of the nonshrink grout shall be according to the manufacturer’s specifications. The Department will maintain a qualified product list.”

Revise Article 1029.02 of the Standard Specifications to read:

**“1029.02 Materials.** Materials shall be according to the following.

Item	Article/Section
(a) Cement.....	1001
(b) Fly Ash .....	1010
(c) Ground Granulated Blast Furnace (GGBF) Slag .....	1010
(d) Water.....	1002
(e) Fine Aggregate.....	1003
(f) Concrete Admixtures .....	1021
(g) Foaming Agent (Note 1)	

Note 1. The manufacturer shall submit infrared spectrophotometer trace and test results indicating the foaming agent meets the requirements of ASTM C 869 in order to be on the Department’s qualified product list. Submitted data/results shall not be more than five years old.”

Revise the second paragraph of Article 1103.03(a)(4) the Standard Specifications to read:

“The dispenser system shall provide a visual indication that the liquid admixture is actually entering the batch, such as via a transparent or translucent section of tubing or by independent check with an integrated secondary metering device. If approved by the Engineer, an alternate indicator may be used for admixtures dosed at rates of 25 oz/cwt (1630 mL/100 kg) or greater, such as accelerating admixtures, corrosion inhibitors, and viscosity modifying admixtures.”

Revise the first two sections of Check Sheet #11 of the Supplemental Specifications and Recurring Special Provisions to read:

“Description. This work shall consist of filling voids beneath rigid and composite pavements with cement grout.

Materials. Materials shall be according to the following Articles of Division 1000 - Materials of the Standard Specifications:

Item	Article/Section
(a) Cement .....	1001
(b) Water .....	1002
(c) Fly Ash .....	1010
(d) Ground Granulated Blast Furnace (GGBF) Slag.....	1010
(e) Admixtures .....	1021
(f) Packaged Rapid Hardening Mortar or Concrete .....	1018”

Revise the third paragraph of Materials Note 2 of Check Sheet #28 of the Supplemental Specifications and Recurring Special Provisions to read:

“The Department will maintain a qualified product list of synthetic fibers, which will include the minimum required dosage rate. For the minimum required fiber dosage rate based on the Illinois Modified ASTM C 1609 test, a report prepared by an independent laboratory accredited by AASHTO re:source for Portland Cement Concrete shall be provided. The report shall show results of tests conducted no more than five years prior to the time of submittal.”

80460

## COMPENSABLE DELAY COSTS (BDE)

Effective: June 2, 2017

Revised: April 1, 2019

Revise Article 107.40(b) of the Standard Specifications to read:

“(b) Compensation. Compensation will not be allowed for delays, inconveniences, or damages sustained by the Contractor from conflicts with facilities not meeting the above definition; or if a conflict with a utility in an unanticipated location does not cause a shutdown of the work or a documentable reduction in the rate of progress exceeding the limits set herein. The provisions of Article 104.03 notwithstanding, compensation for delays caused by a utility in an unanticipated location will be paid according to the provisions of this Article governing minor and major delays or reduced rate of production which are defined as follows.

- (1) Minor Delay. A minor delay occurs when the work in conflict with the utility in an unanticipated location is completely stopped for more than two hours, but not to exceed two weeks.
- (2) Major Delay. A major delay occurs when the work in conflict with the utility in an unanticipated location is completely stopped for more than two weeks.
- (3) Reduced Rate of Production Delay. A reduced rate of production delay occurs when the rate of production on the work in conflict with the utility in an unanticipated location decreases by more than 25 percent and lasts longer than seven calendar days.”

Revise Article 107.40(c) of the Standard Specifications to read:

“(c) Payment. Payment for Minor, Major, and Reduced Rate of Production Delays will be made as follows.

- (1) Minor Delay. Labor idled which cannot be used on other work will be paid for according to Article 109.04(b)(1) and (2) for the time between start of the delay and the minimum remaining hours in the work shift required by the prevailing practice in the area.

Equipment idled which cannot be used on other work, and which is authorized to standby on the project site by the Engineer, will be paid for according to Article 109.04(b)(4).

- (2) Major Delay. Labor will be the same as for a minor delay.

Equipment will be the same as for a minor delay, except Contractor-owned equipment will be limited to two weeks plus the cost of move-out to either the



Contractor's yard or another job and the cost to re-mobilize, whichever is less. Rental equipment may be paid for longer than two weeks provided the Contractor presents adequate support to the Department (including lease agreement) to show retaining equipment on the job is the most economical course to follow and in the public interest.

- (3) Reduced Rate of Production Delay. The Contractor will be compensated for the reduced productivity for labor and equipment time in excess of the 25 percent threshold for that portion of the delay in excess of seven calendar days. Determination of compensation will be in accordance with Article 104.02, except labor and material additives will not be permitted.

Payment for escalated material costs, escalated labor costs, extended project overhead, and extended traffic control will be determined according to Article 109.13.”

Revise Article 108.04(b) of the Standard Specifications to read:

“(b) No working day will be charged under the following conditions.

- (1) When adverse weather prevents work on the controlling item.
- (2) When job conditions due to recent weather prevent work on the controlling item.
- (3) When conduct or lack of conduct by the Department or its consultants, representatives, officers, agents, or employees; delay by the Department in making the site available; or delay in furnishing any items required to be furnished to the Contractor by the Department prevents work on the controlling item.
- (4) When delays caused by utility or railroad adjustments prevent work on the controlling item.
- (5) When strikes, lock-outs, extraordinary delays in transportation, or inability to procure critical materials prevent work on the controlling item, as long as these delays are not due to any fault of the Contractor.
- (6) When any condition over which the Contractor has no control prevents work on the controlling item.”

Revise Article 109.09(f) of the Standard Specifications to read:

“(f) Basis of Payment. After resolution of a claim in favor of the Contractor, any adjustment in time required for the work will be made according to Section 108. Any adjustment in the costs to be paid will be made for direct labor, direct materials, direct equipment, direct jobsite overhead, direct offsite overhead, and other direct costs allowed by the resolution. Adjustments in costs will not be made for interest charges, loss of anticipated profit, undocumented loss of efficiency, home office overhead and unabsorbed overhead

other than as allowed by Article 109.13, lost opportunity, preparation of claim expenses and other consequential indirect costs regardless of method of calculation.

The above Basis of Payment is an essential element of the contract and the claim cost recovery of the Contractor shall be so limited.”

Add the following to Section 109 of the Standard Specifications.

**“109.13 Payment for Contract Delay.** Compensation for escalated material costs, escalated labor costs, extended project overhead, and extended traffic control will be allowed when such costs result from a delay meeting the criteria in the following table.

Contract Type	Cause of Delay	Length of Delay
Working Days	Article 108.04(b)(3) or Article 108.04(b)(4)	No working days have been charged for two consecutive weeks.
Completion Date	Article 108.08(b)(1) or Article 108.08(b)(7)	The Contractor has been granted a minimum two week extension of contract time, according to Article 108.08.

Payment for each of the various costs will be according to the following.

- (a) Escalated Material and/or Labor Costs. When the delay causes work, which would have otherwise been completed, to be done after material and/or labor costs have increased, such increases will be paid. Payment for escalated material costs will be limited to the increased costs substantiated by documentation furnished by the Contractor. Payment for escalated labor costs will be limited to those items in Article 109.04(b)(1) and (2), except the 35 percent and 10 percent additives will not be permitted.
- (b) Extended Project Overhead. For the duration of the delay, payment for extended project overhead will be paid as follows.
  - (1) Direct Jobsite and Offsite Overhead. Payment for documented direct jobsite overhead and documented direct offsite overhead, including onsite supervisory and administrative personnel, will be allowed according to the following table.

Original Contract Amount	Supervisory and Administrative Personnel
Up to \$5,000,000	One Project Superintendent
Over \$ 5,000,000 - up to \$25,000,000	One Project Manager, One Project Superintendent or Engineer, and One Clerk
Over \$25,000,000 - up to \$50,000,000	One Project Manager, One Project Superintendent, One Engineer, and

	One Clerk
Over \$50,000,000	One Project Manager, Two Project Superintendents, One Engineer, and One Clerk

(2) Home Office and Unabsorbed Overhead. Payment for home office and unabsorbed overhead will be calculated as 8 percent of the total delay cost.

(c) Extended Traffic Control. Traffic control required for an extended period of time due to the delay will be paid for according to Article 109.04.

When an extended traffic control adjustment is paid under this provision, an adjusted unit price as provided for in Article 701.20(a) for increase or decrease in the value of work by more than ten percent will not be paid.

Upon payment for a contract delay under this provision, the Contractor shall assign subrogation rights to the Department for the Department's efforts of recovery from any other party for monies paid by the Department as a result of any claim under this provision. The Contractor shall fully cooperate with the Department in its efforts to recover from another party any money paid to the Contractor for delay damages under this provision."

80384

## CONSTRUCTION AIR QUALITY – DIESEL RETROFIT (BDE)

Effective: June 1, 2010

Revised: January 1, 2025

The reduction of emissions of particulate matter (PM) for off-road equipment shall be accomplished by installing retrofit emission control devices. The term “equipment” refers to diesel fuel powered devices rated at 50 hp and above, to be used on the jobsite in excess of seven calendar days over the course of the construction period on the jobsite (including rental equipment).

Contractor and subcontractor diesel powered off-road equipment assigned to the contract shall be retrofitted according to the table below.

Horsepower Range	Model Year and Older
50-99	2003
100-299	2002
300-599	2000
600-749	2001
750 and up	2005

The retrofit emission control devices shall achieve a minimum PM emission reduction of 50 percent and shall be:

- a) Included on the U.S. Environmental Protection Agency (USEPA) *Verified Retrofit Technology List* (<https://www.epa.gov/verified-diesel-tech/verified-technologies-list-clean-diesel>), or verified by the California Air Resources Board (CARB) (<http://www.arb.ca.gov/diesel/verdev/vt/cvt.htm>); or
- b) Retrofitted with a non-verified diesel retrofit emission control device if verified retrofit emission control devices are not available for equipment proposed to be used on the project, and if the Contractor has obtained a performance certification from the retrofit device manufacturer that the emission control device provides a minimum PM emission reduction of 50 percent.

Note: Large cranes (Crawler mounted cranes) which are responsible for critical lift operations are exempt from installing retrofit emission control devices if such devices adversely affect equipment operation.

Diesel powered off-road equipment with engine ratings of 50 hp and above, which are unable to be retrofitted with verified emission control devices or if performance certifications are not available which will achieve a minimum 50 percent PM reduction, may be granted a waiver by the Department if documentation is provided showing good faith efforts were made by the Contractor to retrofit the equipment.

Construction shall not proceed until the Contractor submits a certified list of the diesel powered off-road equipment that will be used, and as necessary, retrofitted with emission control devices. The list(s) shall include (1) the equipment number, type, make, Contractor/rental company name; and (2) the emission control devices make, model, USEPA or CARB verification number, or performance certification from the retrofit device manufacturer. Equipment reported as fitted with emissions control devices shall be made available to the Engineer for visual inspection of the device installation, prior to being used on the jobsite.

The Contractor shall submit an updated list of retrofitted off-road construction equipment as retrofitted equipment changes or comes on to the jobsite. The addition or deletion of any diesel powered equipment shall be included on the updated list.

If any diesel powered off-road equipment is found to be in non-compliance with any portion of this special provision, the Engineer will issue the Contractor a diesel retrofit deficiency deduction.

Any costs associated with retrofitting any diesel powered off-road equipment with emission control devices shall be considered as included in the contract unit prices bid for the various items of work involved and no additional compensation will be allowed. The Contractor's compliance with this notice and any associated regulations shall not be grounds for a claim.

### **Diesel Retrofit Deficiency Deduction**

When the Engineer determines that a diesel retrofit deficiency exists, a daily monetary deduction will be imposed for each calendar day or fraction thereof the deficiency continues to exist. The calendar day(s) will begin when the time period for correction is exceeded and end with the Engineer's written acceptance of the correction. The daily monetary deduction will be \$1,000.00 for each deficiency identified.

The deficiency will be based on lack of diesel retrofit emissions control.

If a Contractor accumulates three diesel retrofit deficiency deductions for the same piece of equipment in a contract period, the Contractor will be shutdown until the deficiency is corrected. Such a shutdown will not be grounds for any extension of the contract time, waiver of penalties, or be grounds for any claim.

80261

## DISADVANTAGED BUSINESS ENTERPRISE PARTICIPATION (BDE)

Effective: September 1, 2000

Revised: January 2, 2025

1. OVERVIEW AND GENERAL OBLIGATION. The Department of Transportation, as a recipient of federal financial assistance, is required to take all necessary and reasonable steps to ensure nondiscrimination in the award and administration of contracts. Consequently, the federal regulatory provisions of 49 CFR Part 26 apply to this contract concerning the utilization of disadvantaged business enterprises. For the purposes of this Special Provision, a disadvantaged business enterprise (DBE) means a business certified in accordance with the requirements of 49 CFR Part 26 and listed in the Illinois Unified Certification Program (IL UCP) DBE Directory. Award of the contract is conditioned on meeting the requirements of 49 CFR Part 26, and failure by the Contractor to carry out the requirements of Part 26 is a material breach of the contract and may result in the termination of the contract or such other remedies as the Department deems appropriate.
2. CONTRACTOR ASSURANCE. All assurances set forth in FHWA 1273 are hereby incorporated by reference and will be physically attached to the final contract and all subcontracts.
3. CONTRACT GOAL TO BE ACHIEVED BY THE CONTRACTOR. The Department has determined the work of this contract has subcontracting opportunities that may be suitable for performance by DBE companies and that, in the absence of unlawful discrimination and in an arena of fair and open competition, DBE companies can be expected to perform 20.00 % of the work. This percentage is set as the DBE participation goal for this contract. Consequently, in addition to the other award criteria established for this contract, the Department will only award this contract to a bidder who makes a good faith effort to meet this goal of DBE participation in the performance of the work in accordance with the requirements of 49 CFR 26.53 and SBE Memorandum No. 24-02.
4. IDENTIFICATION OF CERTIFIED DBE. Information about certified DBE Contractors can be found in the Illinois UCP Directory. Bidders can obtain additional information and assistance with identifying DBE-certified companies at the Department's website or by contacting the Department's Bureau of Small Business Enterprises at (217) 785-4611.
5. BIDDING PROCEDURES. Compliance with this Special Provision and SBE Policy Memorandum 24-02 is a material bidding requirement. The following shall be included with the bid.
  - (a) DBE Utilization Plan (form SBE 2026) documenting enough DBE participation has been obtained to meet the goal, or a good faith effort has been made to meet the goal even though the efforts did not succeed in obtaining enough DBE participation to meet the goal.

(b) Applicable DBE Participation Statement (form SBE 2023, 2024, and/or 2025) for each DBE firm the bidder has committed to perform the work to achieve the contract goal.

The required forms and documentation shall be submitted as a single .pdf file using the “Integrated Contractor Exchange (iCX)” application within the Department’s “EBids System”.

The Department will not accept a bid if it does not meet the bidding procedures set forth herein and the bid will be declared non-responsive. A bidder declared non-responsive for failure to meet the bidding procedures will not give rise to an administrative reconsideration. In the event the bid is declared non-responsive, the Department may elect to cause the forfeiture of the penal sum of the bidder’s proposal guaranty and may deny authorization to bid the project if re-advertised for bids.

6. UTILIZATION PLAN EVALUATION. The contract will not be awarded until the Utilization Plan is approved. All information submitted by the bidder must be complete, accurate, and adequately document the bidder has committed to DBE participation sufficient to meet the goal, or that the bidder has made good faith efforts to do so, in the event the bidder cannot meet the goal, in order for the Department to commit to the performance of the contract by the bidder.

The Utilization Plan will be approved by the Department if the Utilization Plan documents sufficient commercially useful DBE work to meet the contract goal or the Department determines, based upon the documentation submitted, that the bidder has made a good faith effort to meet the contract goal pursuant to 49 CFR Part 26, Appendix A and the requirements of SBE 2026.

If the Department determines that a good faith effort has not been made, the Department will notify the responsible company official designated in the Utilization Plan of that determination in accordance with SBE Policy Memorandum 24-02.

7. CALCULATING DBE PARTICIPATION. The Utilization Plan values represent work the bidder commits to have performed by the specified DBEs and paid for upon satisfactory completion. The Department is only able to count toward the achievement of the overall goal and the contract goal the value of payments made for the work actually performed by DBE firms. In addition, a DBE must perform a commercially useful function on the contract to be counted. A commercially useful function is generally performed when the DBE is responsible for the work and is carrying out its responsibilities by actually performing, managing, and supervising the work involved. The Department and Contractor are governed by the provisions of 49 CFR Part 26.55(c) on questions of commercially useful functions as it affects the work. Specific guidelines for counting goal credit are provided in 49 CFR Part 26.55. In evaluating Utilization Plans for award the Department will count goal credit as set forth in Part 26 and in accordance with SBE Policy Memorandum 24-02.
8. CONTRACT COMPLIANCE. The Contractor must utilize the specific DBEs listed to perform the work and supply the materials for which each DBE is listed in the Contractor’s approved Utilization Plan, unless the Contractor obtains the Department’s written consent to

terminate the DBE or any portion of its work. The DBE Utilization Plan approved by SBE is a condition-of-award, and any deviation to that Utilization Plan, the work set forth therein to be performed by DBE firms, or the DBE firms specified to perform that work, must be approved, in writing, by the Department in accordance with federal regulatory requirements. Deviation from the DBE Utilization Plan condition-of-award without such written approval is a violation of the contract and may result in termination of the contract or such other remedy the Department deems appropriate. The following administrative procedures and remedies govern the compliance by the Contractor with the contractual obligations established by the Utilization Plan.

- (a) **NOTICE OF DBE PERFORMANCE.** The Contractor shall provide the Engineer with at least three days advance notice of when all DBE firms are expected to perform the work committed under the Contractor's Utilization Plan.
- (b) **SUBCONTRACT.** If awarded the contract, the Contractor is required to enter into written subcontracts with all DBE firms indicated in the approved Utilization Plan and must provide copies of fully executed DBE subcontracts to the Department upon request. Subcontractors shall ensure that all lower tier subcontracts or agreements with DBEs to supply labor or materials be performed in accordance with this Special Provision.
- (c) **PAYMENT TO DBE FIRMS.** The Department is prohibited by federal regulations from crediting the participation of a DBE included in the Utilization Plan toward either the contract goal or the Department's overall goal until the amount to be applied toward the goal has been paid to the DBE. The Contractor shall document and report all payments for work performed by DBE certified firms in accordance with Article 109.11 of the Standard Specifications. All records of payment for work performed by DBE certified firms shall be made available to the Department upon request.
- (d) **FINAL PAYMENT.** After the performance of the final item of work or trucking, or delivery of material by a DBE and final payment to the DBE by the Contractor, but not later than 30 calendar days after payment has been made by the Department to the Contractor for such work or material, the Contractor shall submit a DBE Payment Agreement (form SBE 2115) to the Engineer. If the Contractor does not have the full amount of work indicated in the Utilization Plan performed by the DBE companies indicated in the Utilization Plan and after good faith efforts are reviewed, the Department may deduct from contract payments to the Contractor the amount of the goal not achieved as liquidated and ascertained damages.
- (g) **ENFORCEMENT.** The Department reserves the right to withhold payment to the Contractor to enforce the provisions of this Special Provision. Final payment shall not be made on the contract until such time as the Contractor submits sufficient documentation demonstrating achievement of the goal in accordance with this Special Provision or after liquidated damages have been determined and collected.



**RAILROAD PROTECTIVE LIABILITY INSURANCE (BDE)**

Effective: December 1, 1986  
 Revised: January 1, 2022

Description. Railroad Protective Liability and Property Damage Liability Insurance shall be carried according to Article 107.11 of the Standard Specifications. A separate policy is required for each railroad unless otherwise noted.

NAMED INSURED & ADDRESS	NUMBER & SPEED OF PASSENGER TRAINS	NUMBER & SPEED OF FREIGHT TRAINS
-------------------------	------------------------------------	----------------------------------

Union Pacific Railroad Company  
 1400 Douglas Street  
 Omaha, NE 68179-1870

19 trains

Class 1 RR (Y or N): Y  
 DOT/AAR No.: 294428V  
 RR Division: Southern Unit

RR Mile Post: 252.01  
 RR Sub-Division: Mid-America Region

For Freight/Passenger Information Contact: Richard Ellison  
 For Insurance Information Contact: richardellison@up.com

Phone: 312-777-2048  
 Phone:

Kansas City Southern  
 427 West 12th Street  
 Kansas City, MO 64105

1 trains

Class 1 RR (Y or N): Y  
 DOT/AAR No.: 441185B  
 RR Division: Midwest

RR Mile Post: 252.01  
 RR Sub-Division: Godfrey

For Freight/Passenger Information Contact: Chris Ashley  
 For Insurance Information Contact: cashley@kcsouthern.com

Phone: 318-676-6269  
 Phone:

Basis of Payment. Providing Railroad Protective Liability and Property Damage Liability Insurance will be paid for at the contract unit price per Lump Sum for RAILROAD PROTECTIVE LIABILITY INSURANCE.

3426I

## REMOVAL AND DISPOSAL OF REGULATED SUBSTANCES (BDE)

Effective: January 1, 2024

Revised: April 1, 2024

Revise the first paragraph of Article 669.04 of the Standard Specifications to read:

**“669.04 Regulated Substances Monitoring.** Regulated substances monitoring includes environmental observation and field screening during regulated substances management activities. The excavated soil and groundwater within the work areas shall be managed as either uncontaminated soil, hazardous waste, special waste, or non-special waste.

As part of the regulated substances monitoring, the monitoring personnel shall perform and document the applicable duties listed on form BDE 2732 “Regulated Substances Monitoring Daily Record (RSM DR)”.”

Revise the first two sentences of the nineteenth paragraph of Article 669.05 of the Standard Specifications to read:

“The Contractor shall coordinate waste disposal approvals with the disposal facility and provide the specific analytical testing requirements of that facility. The Contractor shall make all arrangements for collection, transportation, and analysis of landfill acceptance testing.”

Revise the last paragraph of Article 669.05 of the Standard Specifications to read:

“The Contractor shall select a permitted landfill facility or CCDD/USFO facility meeting the requirements of 35 Ill. Admin. Code Parts 810-814 or Part 1100, respectively. The Department will review and approve or reject the facility proposed by the Contractor based upon information provided in BDE 2730. The Contractor shall verify whether the selected facility is compliant with those applicable standards as mandated by their permit and whether the facility is presently, has previously been, or has never been, on the United States Environmental Protection Agency (U.S. EPA) National Priorities List or the Resource Conservation and Recovery Act (RCRA) List of Violating Facilities. The use of a Contractor selected facility shall in no manner delay the construction schedule or alter the Contractor's responsibilities as set forth.”

Revise the first paragraph of Article 669.07 of the Standard Specifications to read:

**“669.07 Temporary Staging.** Soil classified according to Articles 669.05(a)(2), (b)(1), or (c) may be temporarily staged at the Contractor's option. All other soil classified according to Articles 669.05(a)(1), (a)(3), (a)(4), (a)(5), (a)(6), or (b)(2) shall be managed and disposed of without temporary staging to the greatest extent practicable. If circumstances beyond the Contractor's control require temporary staging of these latter materials, the Contractor shall request approval from the Engineer in writing.

Topsoil for re-use as final cover which has been field screened and found not to exhibit PID readings over daily background readings as documented on the BDE 2732, visual staining or

odors, and is classified according to Articles 669.05(a)(2), (a)(3), (a)(4), (b)(1), or (c) may be temporarily staged at the Contractor's option."

Add the following paragraph after the sixth paragraph of Article 669.11 of the Standard Specifications.

"The sampling and testing of effluent water derived from dewatering discharges for priority pollutants volatile organic compounds (VOCs), priority pollutants semi-volatile organic compounds (SVOCs), or priority pollutants metals, will be paid for at the contract unit price per each for VOCS GROUNDWATER ANALYSIS using EPA Method 8260B, SVOCs GROUNDWATER ANALYSIS using EPA Method 8270C, or RCRA METALS GROUNDWATER ANALYSIS using EPA Methods 6010B and 7471A. This price shall include transporting the sample from the job site to the laboratory."

Revise the first sentence of the eight paragraph of Article 669.11 of the Standard Specifications to read:

"Payment for temporary staging of soil classified according to Articles 669.05(a)(1), (a)(3), (a)(4), (a)(5), (a)(6), or (b)(2) to be managed and disposed of, if required and approved by the Engineer, will be paid according to Article 109.04."

80455

## **SOURCE OF SUPPLY AND QUALITY REQUIREMENTS (BDE)**

Effective: January 2, 2023

Add the following to Article 106.01 of the Standard Specifications:

“The final manufacturing process for construction materials and the immediately preceding manufacturing stage for construction materials shall occur within the United States. Construction materials shall include an article, material, or supply that is or consists primarily of the following.

- (a) Non-ferrous metals;
- (b) Plastic and polymer-based products (including polyvinylchloride, composite building materials, and polymers used in fiber optic cables);
- (c) Glass (including optic glass);
- (d) Lumber;
- (e) Drywall.

Items consisting of two or more of the listed construction materials that have been combined through a manufacturing process, and items including at least one of the listed materials combined with a material that is not listed through a manufacturing process shall be exempt.”

80448

## **SUBCONTRACTOR AND DBE PAYMENT REPORTING (BDE)**

Effective: April 2, 2018

Add the following to Section 109 of the Standard Specifications.

**“109.14 Subcontractor and Disadvantaged Business Enterprise Payment Reporting.**  
The Contractor shall report all payments made to the following parties:

- (a) first tier subcontractors;
- (b) lower tier subcontractors affecting disadvantaged business enterprise (DBE) goal credit;
- (c) material suppliers or trucking firms that are part of the Contractor’s submitted DBE utilization plan.

The report shall be made through the Department’s on-line subcontractor payment reporting system within 21 days of making the payment.”

80397

## **SUBCONTRACTOR MOBILIZATION PAYMENTS (BDE)**

Effective: November 2, 2017

Revised: April 1, 2019

Replace the second paragraph of Article 109.12 of the Standard Specifications with the following:

“This mobilization payment shall be made at least seven days prior to the subcontractor starting work. The amount paid shall be at the following percentage of the amount of the subcontract reported on form BC 260A submitted for the approval of the subcontractor’s work.

Value of Subcontract Reported on Form BC 260A	Mobilization Percentage
Less than \$10,000	25%
\$10,000 to less than \$20,000	20%
\$20,000 to less than \$40,000	18%
\$40,000 to less than \$60,000	16%
\$60,000 to less than \$80,000	14%
\$80,000 to less than \$100,000	12%
\$100,000 to less than \$250,000	10%
\$250,000 to less than \$500,000	9%
\$500,000 to \$750,000	8%
Over \$750,000	7%”

80391

## **SUBMISSION OF BIDDERS LIST INFORMATION (BDE)**

Effective: January 2, 2025

In accordance with 49 CFR 26.11(c) all bidders for federally assisted contracts shall submit bidders list information with their bid or initial response to a procurement solicitation. Submission of the bidders list information is a material bidding requirement, and failure to comply with this requirement may render the bid non-responsive.

The bidders list information shall be provided for each firm from whom the bidder receives any bid as a subcontractor. This requirement is not limited to DBE subcontractor bids but applies to all DBE and non-DBE firms from whom the bidder has received a quote or bid to work as a subcontractor, whether or not the bidder has relied upon that bid in placing its bid as the prime contractor. The bidders list information shall contain the following.

- (a) Firm name;
- (b) Firm address including ZIP code;
- (c) Firm's status as a DBE or non-DBE;
- (d) Race and gender information for the firm's majority owner;
- (e) NAICS code applicable to each scope of work the firm sought to perform in its bid;
- (f) Age of the firm; and
- (g) The annual gross receipts of the firm (this may be provided by indicating whether the firm's annual gross receipts are less than \$1 million; \$1-3 million; \$3-6 million; \$6-10 million; etc.).

The bidders list information shall be submitted with the bid using the link provided within the "Integrated Contractor Exchange (iCX)" application of the Department's "EBids System".

80463

## **SUBMISSION OF PAYROLL RECORDS (BDE)**

Effective: April 1, 2021

Revised: November 2, 2023

FEDERAL AID CONTRACTS. Revise the following section of Check Sheet #1 of the Recurring Special Provisions to read:

### **“STATEMENTS AND PAYROLLS**

The payroll records shall include the worker’s name, social security number, last known address, telephone number, email address, classification(s) of work actually performed, hourly rates of wages paid (including rates of contributions or costs anticipated for bona fide fringe benefits or cash equivalents thereof), daily and weekly number of hours actually worked in total, deductions made, and actual wages paid.

The Contractor and each subcontractor shall submit certified payroll records to the Department each week from the start to the completion of their respective work, except that full social security numbers, last known addresses, telephone numbers, and email addresses shall not be included on weekly submittals. Instead, the payrolls need only include an identification number for each employee (e.g., the last four digits of the employee’s social security number). The submittals shall be made using LCPTracker Pro software. The software is web-based and can be accessed at <https://lcptracker.com/>. When there has been no activity during a work week, a payroll record shall still be submitted with the appropriate option (“No Work”, “Suspended”, or “Complete”) selected.”

STATE CONTRACTS. Revise Item 3 of Section IV of Check Sheet #5 of the Recurring Special Provisions to read:

- “3. Submission of Payroll Records. The Contractor and each subcontractor shall, no later than the 15<sup>th</sup> day of each calendar month, file a certified payroll for the immediately preceding month to the Illinois Department of Labor (IDOL) through the Illinois Prevailing Wage Portal in compliance with the State Prevailing Wage Act (820 ILCS 130). The portal can be found on the IDOL website at <https://www2.illinois.gov/idol/Laws-Rules/CONMED/Pages/Prevailing-Wage-Portal.aspx>. Payrolls shall be submitted in the format prescribed by the IDOL.

In addition to filing certified payroll(s) with the IDOL, the Contractor and each subcontractor shall certify and submit payroll records to the Department each week from the start to the completion of their respective work, except that full social security numbers shall not be included on weekly submittals. Instead, the payrolls shall include an identification number for each employee (e.g., the last four digits of the employee’s social security number). In addition, starting and ending times of work each day may be omitted from the payroll records submitted. The submittals shall be made using LCPTracker Pro software. The software is web-based and can be accessed at <https://lcptracker.com/>.



When there has been no activity during a work week, a payroll record shall still be submitted with the appropriate option (“No Work”, “Suspended”, or “Complete”) selected.”

80437

## **VEHICLE AND EQUIPMENT WARNING LIGHTS (BDE)**

Effective: November 1, 2021

Revised: November 1, 2022

Add the following paragraph after the first paragraph of Article 701.08 of the Standard Specifications:

“The Contractor shall equip all vehicles and equipment with high-intensity oscillating, rotating, or flashing, amber or amber-and-white, warning lights which are visible from all directions. In accordance with 625 ILCS 5/12-215, the lights may only be in operation while the vehicle or equipment is engaged in construction operations.”

80439

## **WEEKLY DBE TRUCKING REPORTS (BDE)**

Effective: June 2, 2012

Revised: January 2, 2025

The following applies to all Disadvantaged Business Enterprise (DBE) trucks on the project, whether they are utilized for DBE goal credit or not.

The Contractor shall notify the Engineer at least three days prior to DBE trucking activity.

The Contractor shall submit a weekly report of DBE trucks hired by the Contractor or subcontractors (i.e. not owned by the Contractor or subcontractors) to the Engineer on Department form "SBE 723" within ten business days following the reporting period. The reporting period shall be Sunday through Saturday for each week reportable trucking activities occur.

Any costs associated with providing weekly DBE trucking reports shall be considered as included in the contract unit prices bid for the various items of work involved and no additional compensation will be allowed.

80302

**WORK ZONE TRAFFIC CONTROL DEVICES (BDE)**

Effective: March 2, 2020  
Revised: January 1, 2025

Add the following to Article 701.03 of the Standard Specifications:

“(q) Temporary Sign Supports ..... 1106.02”

Revise the third paragraph of Article 701.14 of the Standard Specifications to read:

“For temporary sign supports, the Contractor shall provide a FHWA eligibility letter for each device used on the contract. The letter shall provide information for the set-up and use of the device as well as a detailed drawing of the device. The signs shall be supported within 20 degrees of vertical. Weights used to stabilize signs shall be attached to the sign support per the manufacturer’s specifications.”

Revise the first paragraph of Article 701.15 of the Standard Specifications to read:

“**701.15 Traffic Control Devices.** For devices that must meet crashworthiness standards, the Contractor shall provide a manufacturer’s self-certification or a FHWA eligibility letter for each Category 1 device and a FHWA eligibility letter for each Category 2 and Category 3 device used on the contract. The self-certification or letter shall provide information for the set-up and use of the device as well as a detailed drawing of the device.”

Revise the first six paragraphs of Article 1106.02 of the Standard Specifications to read:

“**1106.02 Devices.** Work zone traffic control devices and combinations of devices shall meet crashworthiness standards for their respective categories. The categories are as follows.

Category 1 includes small, lightweight, channelizing and delineating devices that have been in common use for many years and are known to be crashworthy by crash testing of similar devices or years of demonstrable safe performance. These include cones, tubular markers, plastic drums, and delineators, with no attachments (e.g. lights). Category 1 devices shall be MASH compliant.

Category 2 includes devices that are not expected to produce significant vehicular velocity change but may otherwise be hazardous. These include vertical panels with lights, barricades, temporary sign supports, and Category 1 devices with attachments (e.g. drums with lights). Category 2 devices shall be MASH compliant.

Category 3 includes devices that are expected to cause significant velocity changes or other potentially harmful reactions to impacting vehicles. These include crash cushions (impact attenuators), truck mounted attenuators, and other devices not meeting the definitions of Category 1 or 2. Category 3 devices manufactured after December 31, 2019 shall be MASH compliant. Category 3 devices manufactured on or before December 31, 2019, and compliant

with NCHRP 350, may be used on contracts let before December 31, 2029. Category 3 devices shall be crash tested for Test Level 3 or the test level specified.

Category 4 includes portable or trailer-mounted devices such as sign supports, speed feedback displays, arrow boards, changeable message signs, temporary traffic signals, and area lighting supports. It is preferable for Category 4 devices manufactured after December 31, 2019 to be MASH-16 compliant; however, there are currently no crash tested devices in this category, so it remains exempt from the NCHRP 350 or MASH compliance requirement.

For each type of device, when no more than one MASH compliant is available, an NCHRP 350 compliant device may be used, even if manufactured after December 31, 2019.”

Revise Articles 1106.02(g), 1106.02(k), and 1106.02(l) to read:

“(g) Truck Mounted/Trailer Mounted Attenuators. The attenuator shall be approved for use at Test Level 3. Test Level 2 may be used for normal posted speeds less than or equal to 45 mph.

(k) Temporary Water Filled Barrier. The water filled barrier shall be a lightweight plastic shell designed to accept water ballast and be on the Department’s qualified product list.

Shop drawings shall be furnished by the manufacturer and shall indicate the deflection of the barrier as determined by acceptance testing; the configuration of the barrier in that test; and the vehicle weight, velocity, and angle of impact of the deflection test. The Engineer shall be provided one copy of the shop drawings.

(l) Movable Traffic Barrier. The movable traffic barrier shall be on the Department’s qualified product list.

Shop drawings shall be furnished by the manufacturer and shall indicate the deflection of the barrier as determined by acceptance testing; the configuration of the barrier in that test; and the vehicle weight, velocity, and angle of impact of the deflection test. The Engineer shall be provided one copy of the shop drawings. The barrier shall be capable of being moved on and off the roadway on a daily basis.”

80427

**WORKING DAYS (BDE)**

Effective: January 1, 2002

The Contractor shall complete the work within 15 working days.

80071

**REQUIRED CONTRACT PROVISIONS FEDERAL-AID CONSTRUCTION CONTRACTS**

- I. General
- II. Nondiscrimination
- III. Non-segregated Facilities
- IV. Davis-Bacon and Related Act Provisions
- V. Contract Work Hours and Safety Standards Act Provisions
- VI. Subletting or Assigning the Contract
- VII. Safety: Accident Prevention
- VIII. False Statements Concerning Highway Projects
- IX. Implementation of Clean Air Act and Federal Water Pollution Control Act
- X. Certification Regarding Debarment, Suspension, Ineligibility and Voluntary Exclusion
- XI. Certification Regarding Use of Contract Funds for Lobbying
- XII. Use of United States-Flag Vessels:

**ATTACHMENTS**

A. Employment and Materials Preference for Appalachian Development Highway System or Appalachian Local Access Road Contracts (included in Appalachian contracts only)

**I. GENERAL**

1. Form FHWA-1273 must be physically incorporated in each construction contract funded under title 23, United States Code, as required in 23 CFR 633.102(b) (excluding emergency contracts solely intended for debris removal). The contractor (or subcontractor) must insert this form in each subcontract and further require its inclusion in all lower tier subcontracts (excluding purchase orders, rental agreements and other agreements for supplies or services). 23 CFR 633.102(e).

The applicable requirements of Form FHWA-1273 are incorporated by reference for work done under any purchase order, rental agreement or agreement for other services. The prime contractor shall be responsible for compliance by any subcontractor, lower-tier subcontractor or service provider. 23 CFR 633.102(e).

Form FHWA-1273 must be included in all Federal-aid design-build contracts, in all subcontracts and in lower tier subcontracts (excluding subcontracts for design services, purchase orders, rental agreements and other agreements for supplies or services) in accordance with 23 CFR 633.102. The design-builder shall be responsible for compliance by any subcontractor, lower-tier subcontractor or service provider.

Contracting agencies may reference Form FHWA-1273 in solicitation-for-bids or request-for-proposals documents, however, the Form FHWA-1273 must be physically incorporated (not referenced) in all contracts, subcontracts and lower-tier subcontracts (excluding purchase orders, rental agreements and other agreements for supplies or services related to a construction contract). 23 CFR 633.102(b).

2. Subject to the applicability criteria noted in the following sections, these contract provisions shall apply to all work

performed on the contract by the contractor's own organization and with the assistance of workers under the contractor's immediate superintendence and to all work performed on the contract by piecework, station work, or by subcontract. 23 CFR 633.102(d).

3. A breach of any of the stipulations contained in these Required Contract Provisions may be sufficient grounds for withholding of progress payments, withholding of final payment, termination of the contract, suspension / debarment or any other action determined to be appropriate by the contracting agency and FHWA.

4. Selection of Labor: During the performance of this contract, the contractor shall not use convict labor for any purpose within the limits of a construction project on a Federal-aid highway unless it is labor performed by convicts who are on parole, supervised release, or probation. 23 U.S.C. 114(b). The term Federal-aid highway does not include roadways functionally classified as local roads or rural minor collectors. 23 U.S.C. 101(a).

**II. NONDISCRIMINATION** (23 CFR 230.107(a); 23 CFR Part 230, Subpart A, Appendix A; EO 11246)

The provisions of this section related to 23 CFR Part 230, Subpart A, Appendix A are applicable to all Federal-aid construction contracts and to all related construction subcontracts of \$10,000 or more. The provisions of 23 CFR Part 230 are not applicable to material supply, engineering, or architectural service contracts.

In addition, the contractor and all subcontractors must comply with the following policies: Executive Order 11246, 41 CFR Part 60, 29 CFR Parts 1625-1627, 23 U.S.C. 140, Section 504 of the Rehabilitation Act of 1973, as amended (29 U.S.C. 794), Title VI of the Civil Rights Act of 1964, as amended (42 U.S.C. 2000d et seq.), and related regulations including 49 CFR Parts 21, 26, and 27; and 23 CFR Parts 200, 230, and 633.

The contractor and all subcontractors must comply with: the requirements of the Equal Opportunity Clause in 41 CFR 60-1.4(b) and, for all construction contracts exceeding \$10,000, the Standard Federal Equal Employment Opportunity Construction Contract Specifications in 41 CFR 60-4.3.

Note: The U.S. Department of Labor has exclusive authority to determine compliance with Executive Order 11246 and the policies of the Secretary of Labor including 41 CFR Part 60, and 29 CFR Parts 1625-1627. The contracting agency and the FHWA have the authority and the responsibility to ensure compliance with 23 U.S.C. 140, Section 504 of the Rehabilitation Act of 1973, as amended (29 U.S.C. 794), and Title VI of the Civil Rights Act of 1964, as amended (42 U.S.C. 2000d et seq.), and related regulations including 49 CFR Parts 21, 26, and 27; and 23 CFR Parts 200, 230, and 633.

The following provision is adopted from 23 CFR Part 230, Subpart A, Appendix A, with appropriate revisions to conform to the U.S. Department of Labor (US DOL) and FHWA requirements.

**1. Equal Employment Opportunity:** Equal Employment Opportunity (EEO) requirements not to discriminate and to take affirmative action to assure equal opportunity as set forth under laws, executive orders, rules, regulations (see 28 CFR Part 35, 29 CFR Part 1630, 29 CFR Parts 1625-1627, 41 CFR Part 60 and 49 CFR Part 27) and orders of the Secretary of Labor as modified by the provisions prescribed herein, and imposed pursuant to 23 U.S.C. 140, shall constitute the EEO and specific affirmative action standards for the contractor's project activities under this contract. The provisions of the Americans with Disabilities Act of 1990 (42 U.S.C. 12101 et seq.) set forth under 28 CFR Part 35 and 29 CFR Part 1630 are incorporated by reference in this contract. In the execution of this contract, the contractor agrees to comply with the following minimum specific requirement activities of EEO:

a. The contractor will work with the contracting agency and the Federal Government to ensure that it has made every good faith effort to provide equal opportunity with respect to all of its terms and conditions of employment and in their review of activities under the contract. 23 CFR 230.409 (g)(4) & (5).

b. The contractor will accept as its operating policy the following statement:

"It is the policy of this Company to assure that applicants are employed, and that employees are treated during employment, without regard to their race, religion, sex, sexual orientation, gender identity, color, national origin, age or disability. Such action shall include: employment, upgrading, demotion, or transfer; recruitment or recruitment advertising; layoff or termination; rates of pay or other forms of compensation; and selection for training, including apprenticeship, pre-apprenticeship, and/or on-the-job training."

**2. EEO Officer:** The contractor will designate and make known to the contracting officers an EEO Officer who will have the responsibility for and must be capable of effectively administering and promoting an active EEO program and who must be assigned adequate authority and responsibility to do so.

**3. Dissemination of Policy:** All members of the contractor's staff who are authorized to hire, supervise, promote, and discharge employees, or who recommend such action or are substantially involved in such action, will be made fully cognizant of and will implement the contractor's EEO policy and contractual responsibilities to provide EEO in each grade and classification of employment. To ensure that the above agreement will be met, the following actions will be taken as a minimum:

a. Periodic meetings of supervisory and personnel office employees will be conducted before the start of work and then not less often than once every six months, at which time the contractor's EEO policy and its implementation will be reviewed and explained. The meetings will be conducted by the EEO Officer or other knowledgeable company official.

b. All new supervisory or personnel office employees will be given a thorough indoctrination by the EEO Officer, covering all major aspects of the contractor's EEO obligations within thirty days following their reporting for duty with the contractor.

c. All personnel who are engaged in direct recruitment for the project will be instructed by the EEO Officer in the contractor's procedures for locating and hiring minorities and women.

d. Notices and posters setting forth the contractor's EEO policy will be placed in areas readily accessible to employees, applicants for employment and potential employees.

e. The contractor's EEO policy and the procedures to implement such policy will be brought to the attention of employees by means of meetings, employee handbooks, or other appropriate means.

**4. Recruitment:** When advertising for employees, the contractor will include in all advertisements for employees the notation: "An Equal Opportunity Employer." All such advertisements will be placed in publications having a large circulation among minorities and women in the area from which the project work force would normally be derived.

a. The contractor will, unless precluded by a valid bargaining agreement, conduct systematic and direct recruitment through public and private employee referral sources likely to yield qualified minorities and women. To meet this requirement, the contractor will identify sources of potential minority group employees and establish with such identified sources procedures whereby minority and women applicants may be referred to the contractor for employment consideration.

b. In the event the contractor has a valid bargaining agreement providing for exclusive hiring hall referrals, the contractor is expected to observe the provisions of that agreement to the extent that the system meets the contractor's compliance with EEO contract provisions. Where implementation of such an agreement has the effect of discriminating against minorities or women, or obligates the contractor to do the same, such implementation violates Federal nondiscrimination provisions.

c. The contractor will encourage its present employees to refer minorities and women as applicants for employment. Information and procedures with regard to referring such applicants will be discussed with employees.

**5. Personnel Actions:** Wages, working conditions, and employee benefits shall be established and administered, and personnel actions of every type, including hiring, upgrading, promotion, transfer, demotion, layoff, and termination, shall be taken without regard to race, color, religion, sex, sexual orientation, gender identity, national origin, age or disability. The following procedures shall be followed:

a. The contractor will conduct periodic inspections of project sites to ensure that working conditions and employee facilities do not indicate discriminatory treatment of project site personnel.

b. The contractor will periodically evaluate the spread of wages paid within each classification to determine any evidence of discriminatory wage practices.

c. The contractor will periodically review selected personnel actions in depth to determine whether there is evidence of discrimination. Where evidence is found, the contractor will promptly take corrective action. If the review indicates that the discrimination may extend beyond the actions reviewed, such corrective action shall include all affected persons.

d. The contractor will promptly investigate all complaints of alleged discrimination made to the contractor in connection with its obligations under this contract, will attempt to resolve such complaints, and will take appropriate corrective action



within a reasonable time. If the investigation indicates that the discrimination may affect persons other than the complainant, such corrective action shall include such other persons. Upon completion of each investigation, the contractor will inform every complainant of all of their avenues of appeal.

#### **6. Training and Promotion:**

a. The contractor will assist in locating, qualifying, and increasing the skills of minorities and women who are applicants for employment or current employees. Such efforts should be aimed at developing full journey level status employees in the type of trade or job classification involved.

b. Consistent with the contractor's work force requirements and as permissible under Federal and State regulations, the contractor shall make full use of training programs (i.e., apprenticeship and on-the-job training programs for the geographical area of contract performance). In the event a special provision for training is provided under this contract, this subparagraph will be superseded as indicated in the special provision. The contracting agency may reserve training positions for persons who receive welfare assistance in accordance with 23 U.S.C. 140(a).

c. The contractor will advise employees and applicants for employment of available training programs and entrance requirements for each.

d. The contractor will periodically review the training and promotion potential of employees who are minorities and women and will encourage eligible employees to apply for such training and promotion.

**7. Unions:** If the contractor relies in whole or in part upon unions as a source of employees, the contractor will use good faith efforts to obtain the cooperation of such unions to increase opportunities for minorities and women. 23 CFR 230.409. Actions by the contractor, either directly or through a contractor's association acting as agent, will include the procedures set forth below:

a. The contractor will use good faith efforts to develop, in cooperation with the unions, joint training programs aimed toward qualifying more minorities and women for membership in the unions and increasing the skills of minorities and women so that they may qualify for higher paying employment.

b. The contractor will use good faith efforts to incorporate an EEO clause into each union agreement to the end that such union will be contractually bound to refer applicants without regard to their race, color, religion, sex, sexual orientation, gender identity, national origin, age, or disability.

c. The contractor is to obtain information as to the referral practices and policies of the labor union except that to the extent such information is within the exclusive possession of the labor union and such labor union refuses to furnish such information to the contractor, the contractor shall so certify to the contracting agency and shall set forth what efforts have been made to obtain such information.

d. In the event the union is unable to provide the contractor with a reasonable flow of referrals within the time limit set forth in the collective bargaining agreement, the contractor will, through independent recruitment efforts, fill the employment vacancies without regard to race, color, religion, sex, sexual orientation, gender identity, national origin, age, or disability; making full efforts to obtain qualified and/or qualifiable minorities and women. The failure of a union to provide

sufficient referrals (even though it is obligated to provide exclusive referrals under the terms of a collective bargaining agreement) does not relieve the contractor from the requirements of this paragraph. In the event the union referral practice prevents the contractor from meeting the obligations pursuant to Executive Order 11246, as amended, and these special provisions, such contractor shall immediately notify the contracting agency.

#### **8. Reasonable Accommodation for Applicants /**

**Employees with Disabilities:** The contractor must be familiar with the requirements for and comply with the Americans with Disabilities Act and all rules and regulations established thereunder. Employers must provide reasonable accommodation in all employment activities unless to do so would cause an undue hardship.

**9. Selection of Subcontractors, Procurement of Materials and Leasing of Equipment:** The contractor shall not discriminate on the grounds of race, color, religion, sex, sexual orientation, gender identity, national origin, age, or disability in the selection and retention of subcontractors, including procurement of materials and leases of equipment. The contractor shall take all necessary and reasonable steps to ensure nondiscrimination in the administration of this contract.

a. The contractor shall notify all potential subcontractors, suppliers, and lessors of their EEO obligations under this contract.

b. The contractor will use good faith efforts to ensure subcontractor compliance with their EEO obligations.

#### **10. Assurances Required:**

a. The requirements of 49 CFR Part 26 and the State DOT's FHWA-approved Disadvantaged Business Enterprise (DBE) program are incorporated by reference.

b. The contractor, subrecipient or subcontractor shall not discriminate on the basis of race, color, national origin, or sex in the performance of this contract. The contractor shall carry out applicable requirements of 49 CFR part 26 in the award and administration of DOT-assisted contracts. Failure by the contractor to carry out these requirements is a material breach of this contract, which may result in the termination of this contract or such other remedy as the recipient deems appropriate, which may include, but is not limited to:

- (1) Withholding monthly progress payments;
- (2) Assessing sanctions;
- (3) Liquidated damages; and/or
- (4) Disqualifying the contractor from future bidding as non-responsible.

c. The Title VI and nondiscrimination provisions of U.S. DOT Order 1050.2A at Appendixes A and E are incorporated by reference. 49 CFR Part 21.

**11. Records and Reports:** The contractor shall keep such records as necessary to document compliance with the EEO requirements. Such records shall be retained for a period of three years following the date of the final payment to the contractor for all contract work and shall be available at reasonable times and places for inspection by authorized representatives of the contracting agency and the FHWA.

a. The records kept by the contractor shall document the following:

(1) The number and work hours of minority and non-minority group members and women employed in each work classification on the project;

(2) The progress and efforts being made in cooperation with unions, when applicable, to increase employment opportunities for minorities and women; and

(3) The progress and efforts being made in locating, hiring, training, qualifying, and upgrading minorities and women.

b. The contractors and subcontractors will submit an annual report to the contracting agency each July for the duration of the project indicating the number of minority, women, and non-minority group employees currently engaged in each work classification required by the contract work. This information is to be reported on [Form FHWA-1391](#). The staffing data should represent the project work force on board in all or any part of the last payroll period preceding the end of July. If on-the-job training is being required by special provision, the contractor will be required to collect and report training data. The employment data should reflect the work force on board during all or any part of the last payroll period preceding the end of July.

### III. NONSEGREGATED FACILITIES

This provision is applicable to all Federal-aid construction contracts and to all related construction subcontracts of more than \$10,000. 41 CFR 60-1.5.

As prescribed by 41 CFR 60-1.8, the contractor must ensure that facilities provided for employees are provided in such a manner that segregation on the basis of race, color, religion, sex, sexual orientation, gender identity, or national origin cannot result. The contractor may neither require such segregated use by written or oral policies nor tolerate such use by employee custom. The contractor's obligation extends further to ensure that its employees are not assigned to perform their services at any location under the contractor's control where the facilities are segregated. The term "facilities" includes waiting rooms, work areas, restaurants and other eating areas, time clocks, restrooms, washrooms, locker rooms and other storage or dressing areas, parking lots, drinking fountains, recreation or entertainment areas, transportation, and housing provided for employees. The contractor shall provide separate or single-user restrooms and necessary dressing or sleeping areas to assure privacy between sexes.

### IV. DAVIS-BACON AND RELATED ACT PROVISIONS

This section is applicable to all Federal-aid construction projects exceeding \$2,000 and to all related subcontracts and lower-tier subcontracts (regardless of subcontract size), in accordance with 29 CFR 5.5. The requirements apply to all projects located within the right-of-way of a roadway that is functionally classified as Federal-aid highway. 23 U.S.C. 113. This excludes roadways functionally classified as local roads or rural minor collectors, which are exempt. 23 U.S.C. 101. Where applicable law requires that projects be treated as a project on a Federal-aid highway, the provisions of this subpart will apply regardless of the location of the project. Examples include: Surface Transportation Block Grant Program projects funded under 23 U.S.C. 133 [excluding recreational trails projects], the Nationally Significant Freight and Highway

Projects funded under 23 U.S.C. 117, and National Highway Freight Program projects funded under 23 U.S.C. 167.

The following provisions are from the U.S. Department of Labor regulations in 29 CFR 5.5 "Contract provisions and related matters" with minor revisions to conform to the FHWA- 1273 format and FHWA program requirements.

#### 1. Minimum wages (29 CFR 5.5)

a. *Wage rates and fringe benefits.* All laborers and mechanics employed or working upon the site of the work (or otherwise working in construction or development of the project under a development statute), will be paid unconditionally and not less often than once a week, and without subsequent deduction or rebate on any account (except such payroll deductions as are permitted by regulations issued by the Secretary of Labor under the Copeland Act ([29 CFR part 3](#))), the full amount of basic hourly wages and bona fide fringe benefits (or cash equivalents thereof) due at time of payment computed at rates not less than those contained in the wage determination of the Secretary of Labor which is attached hereto and made a part hereof, regardless of any contractual relationship which may be alleged to exist between the contractor and such laborers and mechanics. As provided in paragraphs (d) and (e) of 29 CFR 5.5, the appropriate wage determinations are effective by operation of law even if they have not been attached to the contract. Contributions made or costs reasonably anticipated for bona fide fringe benefits under the Davis-Bacon Act ([40 U.S.C. 3141\(2\)\(B\)](#)) on behalf of laborers or mechanics are considered wages paid to such laborers or mechanics, subject to the provisions of paragraph 1.e. of this section; also, regular contributions made or costs incurred for more than a weekly period (but not less often than quarterly) under plans, funds, or programs which cover the particular weekly period, are deemed to be constructively made or incurred during such weekly period. Such laborers and mechanics must be paid the appropriate wage rate and fringe benefits on the wage determination for the classification(s) of work actually performed, without regard to skill, except as provided in paragraph 4. of this section. Laborers or mechanics performing work in more than one classification may be compensated at the rate specified for each classification for the time actually worked therein: *Provided*, That the employer's payroll records accurately set forth the time spent in each classification in which work is performed. The wage determination (including any additional classifications and wage rates conformed under paragraph 1.c. of this section) and the Davis-Bacon poster (WH-1321) must be posted at all times by the contractor and its subcontractors at the site of the work in a prominent and accessible place where it can be easily seen by the workers.

b. *Frequently recurring classifications.* (1) In addition to wage and fringe benefit rates that have been determined to be prevailing under the procedures set forth in [29 CFR part 1](#), a wage determination may contain, pursuant to § 1.3(f), wage and fringe benefit rates for classifications of laborers and mechanics for which conformance requests are regularly submitted pursuant to paragraph 1.c. of this section, provided that:

(i) The work performed by the classification is not performed by a classification in the wage determination for which a prevailing wage rate has been determined;

(ii) The classification is used in the area by the construction industry; and

(iii) The wage rate for the classification bears a reasonable relationship to the prevailing wage rates contained in the wage determination.

(2) The Administrator will establish wage rates for such classifications in accordance with paragraph 1.c.(1)(iii) of this section. Work performed in such a classification must be paid at no less than the wage and fringe benefit rate listed on the wage determination for such classification.

c. *Conformance.* (1) The contracting officer must require that any class of laborers or mechanics, including helpers, which is not listed in the wage determination and which is to be employed under the contract be classified in conformance with the wage determination. Conformance of an additional classification and wage rate and fringe benefits is appropriate only when the following criteria have been met:

(i) The work to be performed by the classification requested is not performed by a classification in the wage determination; and

(ii) The classification is used in the area by the construction industry; and

(iii) The proposed wage rate, including any bona fide fringe benefits, bears a reasonable relationship to the wage rates contained in the wage determination.

(2) The conformance process may not be used to split, subdivide, or otherwise avoid application of classifications listed in the wage determination.

(3) If the contractor and the laborers and mechanics to be employed in the classification (if known), or their representatives, and the contracting officer agree on the classification and wage rate (including the amount designated for fringe benefits where appropriate), a report of the action taken will be sent by the contracting officer by email to [DBAconformance@dol.gov](mailto:DBAconformance@dol.gov). The Administrator, or an authorized representative, will approve, modify, or disapprove every additional classification action within 30 days of receipt and so advise the contracting officer or will notify the contracting officer within the 30-day period that additional time is necessary.

(4) In the event the contractor, the laborers or mechanics to be employed in the classification or their representatives, and the contracting officer do not agree on the proposed classification and wage rate (including the amount designated for fringe benefits, where appropriate), the contracting officer will, by email to [DBAconformance@dol.gov](mailto:DBAconformance@dol.gov), refer the questions, including the views of all interested parties and the recommendation of the contracting officer, to the Administrator for determination. The Administrator, or an authorized representative, will issue a determination within 30 days of receipt and so advise the contracting officer or will notify the contracting officer within the 30-day period that additional time is necessary.

(5) The contracting officer must promptly notify the contractor of the action taken by the Wage and Hour Division

under paragraphs 1.c.(3) and (4) of this section. The contractor must furnish a written copy of such determination to each affected worker or it must be posted as a part of the wage determination. The wage rate (including fringe benefits where appropriate) determined pursuant to paragraph 1.c.(3) or (4) of this section must be paid to all workers performing work in the classification under this contract from the first day on which work is performed in the classification.

d. *Fringe benefits not expressed as an hourly rate.*

Whenever the minimum wage rate prescribed in the contract for a class of laborers or mechanics includes a fringe benefit which is not expressed as an hourly rate, the contractor may either pay the benefit as stated in the wage determination or may pay another bona fide fringe benefit or an hourly cash equivalent thereof.

e. *Unfunded plans.* If the contractor does not make payments to a trustee or other third person, the contractor may consider as part of the wages of any laborer or mechanic the amount of any costs reasonably anticipated in providing bona fide fringe benefits under a plan or program, *Provided*, That the Secretary of Labor has found, upon the written request of the contractor, in accordance with the criteria set forth in § 5.28, that the applicable standards of the Davis-Bacon Act have been met. The Secretary of Labor may require the contractor to set aside in a separate account assets for the meeting of obligations under the plan or program.

f. *Interest.* In the event of a failure to pay all or part of the wages required by the contract, the contractor will be required to pay interest on any underpayment of wages.

## 2. Withholding (29 CFR 5.5)

a. *Withholding requirements.* The contracting agency may, upon its own action, or must, upon written request of an authorized representative of the Department of Labor, withhold or cause to be withheld from the contractor so much of the accrued payments or advances as may be considered necessary to satisfy the liabilities of the prime contractor or any subcontractor for the full amount of wages and monetary relief, including interest, required by the clauses set forth in this section for violations of this contract, or to satisfy any such liabilities required by any other Federal contract, or federally assisted contract subject to Davis-Bacon labor standards, that is held by the same prime contractor (as defined in § 5.2). The necessary funds may be withheld from the contractor under this contract, any other Federal contract with the same prime contractor, or any other federally assisted contract that is subject to Davis-Bacon labor standards requirements and is held by the same prime contractor, regardless of whether the other contract was awarded or assisted by the same agency, and such funds may be used to satisfy the contractor liability for which the funds were withheld. In the event of a contractor's failure to pay any laborer or mechanic, including any apprentice or helper working on the site of the work all or part of the wages required by the contract, or upon the contractor's failure to submit the required records as discussed in paragraph 3.d. of this section, the contracting agency may on its own initiative and after written notice to the contractor, take such action as may be necessary to cause the suspension of any further payment, advance, or guarantee of funds until such violations have ceased.

b. *Priority to withheld funds.* The Department has priority to funds withheld or to be withheld in accordance with paragraph

2.a. of this section or Section V, paragraph 3.a., or both, over claims to those funds by:

- (1) A contractor's surety(ies), including without limitation performance bond sureties and payment bond sureties;
- (2) A contracting agency for its procurement costs;
- (3) A trustee(s) (either a court-appointed trustee or a U.S. trustee, or both) in bankruptcy of a contractor, or a contractor's bankruptcy estate;
- (4) A contractor's assignee(s);
- (5) A contractor's successor(s); or
- (6) A claim asserted under the Prompt Payment Act, [31 U.S.C. 3901–3907](#).

### 3. Records and certified payrolls (29 CFR 5.5)

*a. Basic record requirements (1) Length of record retention.* All regular payrolls and other basic records must be maintained by the contractor and any subcontractor during the course of the work and preserved for all laborers and mechanics working at the site of the work (or otherwise working in construction or development of the project under a development statute) for a period of at least 3 years after all the work on the prime contract is completed.

*(2) Information required.* Such records must contain the name; Social Security number; last known address, telephone number, and email address of each such worker; each worker's correct classification(s) of work actually performed; hourly rates of wages paid (including rates of contributions or costs anticipated for bona fide fringe benefits or cash equivalents thereof of the types described in [40 U.S.C. 3141\(2\)\(B\)](#) of the Davis-Bacon Act); daily and weekly number of hours actually worked in total and on each covered contract; deductions made; and actual wages paid.

*(3) Additional records relating to fringe benefits.* Whenever the Secretary of Labor has found under paragraph 1.e. of this section that the wages of any laborer or mechanic include the amount of any costs reasonably anticipated in providing benefits under a plan or program described in [40 U.S.C. 3141\(2\)\(B\)](#) of the Davis-Bacon Act, the contractor must maintain records which show that the commitment to provide such benefits is enforceable, that the plan or program is financially responsible, and that the plan or program has been communicated in writing to the laborers or mechanics affected, and records which show the costs anticipated or the actual cost incurred in providing such benefits.

*(4) Additional records relating to apprenticeship.* Contractors with apprentices working under approved programs must maintain written evidence of the registration of apprenticeship programs, the registration of the apprentices, and the ratios and wage rates prescribed in the applicable programs.

*b. Certified payroll requirements (1) Frequency and method of submission.* The contractor or subcontractor must submit weekly, for each week in which any DBA- or Related Acts-covered work is performed, certified payrolls to the contracting

agency. The prime contractor is responsible for the submission of all certified payrolls by all subcontractors. A contracting agency or prime contractor may permit or require contractors to submit certified payrolls through an electronic system, as long as the electronic system requires a legally valid electronic signature; the system allows the contractor, the contracting agency, and the Department of Labor to access the certified payrolls upon request for at least 3 years after the work on the prime contract has been completed; and the contracting agency or prime contractor permits other methods of submission in situations where the contractor is unable or limited in its ability to use or access the electronic system.

*(2) Information required.* The certified payrolls submitted must set out accurately and completely all of the information required to be maintained under paragraph 3.a.(2) of this section, except that full Social Security numbers and last known addresses, telephone numbers, and email addresses must not be included on weekly transmittals. Instead, the certified payrolls need only include an individually identifying number for each worker ( e.g., the last four digits of the worker's Social Security number). The required weekly certified payroll information may be submitted using Optional Form WH-347 or in any other format desired. Optional Form WH-347 is available for this purpose from the Wage and Hour Division website at <https://www.dol.gov/sites/dolgov/files/WHDLegacy/files/wh347.pdf> or its successor website. It is not a violation of this section for a prime contractor to require a subcontractor to provide full Social Security numbers and last known addresses, telephone numbers, and email addresses to the prime contractor for its own records, without weekly submission by the subcontractor to the contracting agency.

*(3) Statement of Compliance.* Each certified payroll submitted must be accompanied by a "Statement of Compliance," signed by the contractor or subcontractor, or the contractor's or subcontractor's agent who pays or supervises the payment of the persons working on the contract, and must certify the following:

(i) That the certified payroll for the payroll period contains the information required to be provided under paragraph 3.b. of this section, the appropriate information and basic records are being maintained under paragraph 3.a. of this section, and such information and records are correct and complete;

(ii) That each laborer or mechanic (including each helper and apprentice) working on the contract during the payroll period has been paid the full weekly wages earned, without rebate, either directly or indirectly, and that no deductions have been made either directly or indirectly from the full wages earned, other than permissible deductions as set forth in [29 CFR part 3](#); and

(iii) That each laborer or mechanic has been paid not less than the applicable wage rates and fringe benefits or cash equivalents for the classification(s) of work actually performed, as specified in the applicable wage determination incorporated into the contract.

*(4) Use of Optional Form WH-347.* The weekly submission of a properly executed certification set forth on the reverse side of Optional Form WH-347 will satisfy the requirement for submission of the "Statement of Compliance" required by paragraph 3.b.(3) of this section.

(5) *Signature*. The signature by the contractor, subcontractor, or the contractor's or subcontractor's agent must be an original handwritten signature or a legally valid electronic signature.

(6) *Falsification*. The falsification of any of the above certifications may subject the contractor or subcontractor to civil or criminal prosecution under [18 U.S.C. 1001](#) and [31 U.S.C. 3729](#).

(7) *Length of certified payroll retention*. The contractor or subcontractor must preserve all certified payrolls during the course of the work and for a period of 3 years after all the work on the prime contract is completed.

c. *Contracts, subcontracts, and related documents*. The contractor or subcontractor must maintain this contract or subcontract and related documents including, without limitation, bids, proposals, amendments, modifications, and extensions. The contractor or subcontractor must preserve these contracts, subcontracts, and related documents during the course of the work and for a period of 3 years after all the work on the prime contract is completed.

d. *Required disclosures and access* (1) *Required record disclosures and access to workers*. The contractor or subcontractor must make the records required under paragraphs 3.a. through 3.c. of this section, and any other documents that the contracting agency, the State DOT, the FHWA, or the Department of Labor deems necessary to determine compliance with the labor standards provisions of any of the applicable statutes referenced by § 5.1, available for inspection, copying, or transcription by authorized representatives of the contracting agency, the State DOT, the FHWA, or the Department of Labor, and must permit such representatives to interview workers during working hours on the job.

(2) *Sanctions for non-compliance with records and worker access requirements*. If the contractor or subcontractor fails to submit the required records or to make them available, or refuses to permit worker interviews during working hours on the job, the Federal agency may, after written notice to the contractor, sponsor, applicant, owner, or other entity, as the case may be, that maintains such records or that employs such workers, take such action as may be necessary to cause the suspension of any further payment, advance, or guarantee of funds. Furthermore, failure to submit the required records upon request or to make such records available, or to permit worker interviews during working hours on the job, may be grounds for debarment action pursuant to § 5.12. In addition, any contractor or other person that fails to submit the required records or make those records available to WHD within the time WHD requests that the records be produced will be precluded from introducing as evidence in an administrative proceeding under [29 CFR part 6](#) any of the required records that were not provided or made available to WHD. WHD will take into consideration a reasonable request from the contractor or person for an extension of the time for submission of records. WHD will determine the reasonableness of the request and may consider, among other things, the location of the records and the volume of production.

(3) *Required information disclosures*. Contractors and subcontractors must maintain the full Social Security number and last known address, telephone number, and email address

of each covered worker, and must provide them upon request to the contracting agency, the State DOT, the FHWA, the contractor, or the Wage and Hour Division of the Department of Labor for purposes of an investigation or other compliance action.

#### 4. Apprentices and equal employment opportunity (29 CFR 5.5)

a. *Apprentices* (1) *Rate of pay*. Apprentices will be permitted to work at less than the predetermined rate for the work they perform when they are employed pursuant to and individually registered in a bona fide apprenticeship program registered with the U.S. Department of Labor, Employment and Training Administration, Office of Apprenticeship (OA), or with a State Apprenticeship Agency recognized by the OA. A person who is not individually registered in the program, but who has been certified by the OA or a State Apprenticeship Agency (where appropriate) to be eligible for probationary employment as an apprentice, will be permitted to work at less than the predetermined rate for the work they perform in the first 90 days of probationary employment as an apprentice in such a program. In the event the OA or a State Apprenticeship Agency recognized by the OA withdraws approval of an apprenticeship program, the contractor will no longer be permitted to use apprentices at less than the applicable predetermined rate for the work performed until an acceptable program is approved.

(2) *Fringe benefits*. Apprentices must be paid fringe benefits in accordance with the provisions of the apprenticeship program. If the apprenticeship program does not specify fringe benefits, apprentices must be paid the full amount of fringe benefits listed on the wage determination for the applicable classification. If the Administrator determines that a different practice prevails for the applicable apprentice classification, fringe benefits must be paid in accordance with that determination.

(3) *Apprenticeship ratio*. The allowable ratio of apprentices to journeyworkers on the job site in any craft classification must not be greater than the ratio permitted to the contractor as to the entire work force under the registered program or the ratio applicable to the locality of the project pursuant to paragraph 4.a.(4) of this section. Any worker listed on a payroll at an apprentice wage rate, who is not registered or otherwise employed as stated in paragraph 4.a.(1) of this section, must be paid not less than the applicable wage rate on the wage determination for the classification of work actually performed. In addition, any apprentice performing work on the job site in excess of the ratio permitted under this section must be paid not less than the applicable wage rate on the wage determination for the work actually performed.

(4) *Reciprocity of ratios and wage rates*. Where a contractor is performing construction on a project in a locality other than the locality in which its program is registered, the ratios and wage rates (expressed in percentages of the journeyworker's hourly rate) applicable within the locality in which the construction is being performed must be observed. If there is no applicable ratio or wage rate for the locality of the project, the ratio and wage rate specified in the contractor's registered program must be observed.

b. *Equal employment opportunity*. The use of apprentices and journeyworkers under this part must be in conformity with



the equal employment opportunity requirements of Executive Order 11246, as amended, and [29 CFR part 30](#).

c. Apprentices and Trainees (programs of the U.S. DOT).

Apprentices and trainees working under apprenticeship and skill training programs which have been certified by the Secretary of Transportation as promoting EEO in connection with Federal-aid highway construction programs are not subject to the requirements of paragraph 4 of this Section IV. 23 CFR 230.111(e)(2). The straight time hourly wage rates for apprentices and trainees under such programs will be established by the particular programs. The ratio of apprentices and trainees to journeyworkers shall not be greater than permitted by the terms of the particular program.

**5. Compliance with Copeland Act requirements.** The contractor shall comply with the requirements of 29 CFR part 3, which are incorporated by reference in this contract as provided in 29 CFR 5.5.

**6. Subcontracts.** The contractor or subcontractor must insert FHWA-1273 in any subcontracts, along with the applicable wage determination(s) and such other clauses or contract modifications as the contracting agency may by appropriate instructions require, and a clause requiring the subcontractors to include these clauses and wage determination(s) in any lower tier subcontracts. The prime contractor is responsible for the compliance by any subcontractor or lower tier subcontractor with all the contract clauses in this section. In the event of any violations of these clauses, the prime contractor and any subcontractor(s) responsible will be liable for any unpaid wages and monetary relief, including interest from the date of the underpayment or loss, due to any workers of lower-tier subcontractors, and may be subject to debarment, as appropriate. 29 CFR 5.5.

**7. Contract termination: debarment.** A breach of the contract clauses in 29 CFR 5.5 may be grounds for termination of the contract, and for debarment as a contractor and a subcontractor as provided in 29 CFR 5.12.

**8. Compliance with Davis-Bacon and Related Act requirements.** All rulings and interpretations of the Davis-Bacon and Related Acts contained in 29 CFR parts 1, 3, and 5 are herein incorporated by reference in this contract as provided in 29 CFR 5.5.

**9. Disputes concerning labor standards.** As provided in 29 CFR 5.5, disputes arising out of the labor standards provisions of this contract shall not be subject to the general disputes clause of this contract. Such disputes shall be resolved in accordance with the procedures of the Department of Labor set forth in 29 CFR parts 5, 6, and 7. Disputes within the meaning of this clause include disputes between the contractor (or any of its subcontractors) and the contracting agency, the U.S. Department of Labor, or the employees or their representatives.

**10. Certification of eligibility.** a. By entering into this contract, the contractor certifies that neither it nor any person or firm who has an interest in the contractor's firm is a person or firm ineligible to be awarded Government contracts by virtue of [40 U.S.C. 3144\(b\)](#) or § 5.12(a).

b. No part of this contract shall be subcontracted to any person or firm ineligible for award of a Government contract by virtue of [40 U.S.C. 3144\(b\)](#) or § 5.12(a).

c. The penalty for making false statements is prescribed in the U.S. Code, Title 18 Crimes and Criminal Procedure, [18 U.S.C. 1001](#).

**11. Anti-retaliation.** It is unlawful for any person to discharge, demote, intimidate, threaten, restrain, coerce, blacklist, harass, or in any other manner discriminate against, or to cause any person to discharge, demote, intimidate, threaten, restrain, coerce, blacklist, harass, or in any other manner discriminate against, any worker or job applicant for:

a. Notifying any contractor of any conduct which the worker reasonably believes constitutes a violation of the DBA, Related Acts, this part, or [29 CFR part 1](#) or [3](#);

b. Filing any complaint, initiating or causing to be initiated any proceeding, or otherwise asserting or seeking to assert on behalf of themselves or others any right or protection under the DBA, Related Acts, this part, or [29 CFR part 1](#) or [3](#);

c. Cooperating in any investigation or other compliance action, or testifying in any proceeding under the DBA, Related Acts, this part, or [29 CFR part 1](#) or [3](#); or

d. Informing any other person about their rights under the DBA, Related Acts, this part, or [29 CFR part 1](#) or [3](#).

## V. CONTRACT WORK HOURS AND SAFETY STANDARDS ACT

Pursuant to 29 CFR 5.5(b), the following clauses apply to any Federal-aid construction contract in an amount in excess of \$100,000 and subject to the overtime provisions of the Contract Work Hours and Safety Standards Act. These clauses shall be inserted in addition to the clauses required by 29 CFR 5.5(a) or 29 CFR 4.6. As used in this paragraph, the terms laborers and mechanics include watchpersons and guards.

**1. Overtime requirements.** No contractor or subcontractor contracting for any part of the contract work which may require or involve the employment of laborers or mechanics shall require or permit any such laborer or mechanic in any workweek in which he or she is employed on such work to work in excess of forty hours in such workweek unless such laborer or mechanic receives compensation at a rate not less than one and one-half times the basic rate of pay for all hours worked in excess of forty hours in such workweek. 29 CFR 5.5.

**2. Violation; liability for unpaid wages; liquidated damages.** In the event of any violation of the clause set forth in paragraph 1. of this section the contractor and any subcontractor responsible therefor shall be liable for the unpaid wages and interest from the date of the underpayment. In addition, such contractor and subcontractor shall be liable to the United States (in the case of work done under contract for the District of Columbia or a territory, to such District or to such territory), for liquidated damages. Such liquidated damages shall be computed with respect to each individual laborer or

mechanic, including watchpersons and guards, employed in violation of the clause set forth in paragraph 1. of this section, in the sum currently provided in 29 CFR 5.5(b)(2)\* for each calendar day on which such individual was required or permitted to work in excess of the standard workweek of forty hours without payment of the overtime wages required by the clause set forth in paragraph 1. of this section.

\* \$31 as of January 15, 2023 (See 88 FR 88 FR 2210) as may be adjusted annually by the Department of Labor, pursuant to the Federal Civil Penalties Inflation Adjustment Act of 1990.

### 3. Withholding for unpaid wages and liquidated damages

a. *Withholding process.* The FHWA or the contracting agency may, upon its own action, or must, upon written request of an authorized representative of the Department of Labor, withhold or cause to be withheld from the contractor so much of the accrued payments or advances as may be considered necessary to satisfy the liabilities of the prime contractor or any subcontractor for any unpaid wages; monetary relief, including interest; and liquidated damages required by the clauses set forth in this section on this contract, any other Federal contract with the same prime contractor, or any other federally assisted contract subject to the Contract Work Hours and Safety Standards Act that is held by the same prime contractor (as defined in § 5.2). The necessary funds may be withheld from the contractor under this contract, any other Federal contract with the same prime contractor, or any other federally assisted contract that is subject to the Contract Work Hours and Safety Standards Act and is held by the same prime contractor, regardless of whether the other contract was awarded or assisted by the same agency, and such funds may be used to satisfy the contractor liability for which the funds were withheld.

b. *Priority to withheld funds.* The Department has priority to funds withheld or to be withheld in accordance with Section IV paragraph 2.a. or paragraph 3.a. of this section, or both, over claims to those funds by:

- (1) A contractor's surety(ies), including without limitation performance bond sureties and payment bond sureties;
- (2) A contracting agency for its procurement costs;
- (3) A trustee(s) (either a court-appointed trustee or a U.S. trustee, or both) in bankruptcy of a contractor, or a contractor's bankruptcy estate;
- (4) A contractor's assignee(s);
- (5) A contractor's successor(s); or
- (6) A claim asserted under the Prompt Payment Act, [31 U.S.C. 3901](#)–3907.

**4. Subcontracts.** The contractor or subcontractor must insert in any subcontracts the clauses set forth in paragraphs 1. through 5. of this section and a clause requiring the subcontractors to include these clauses in any lower tier subcontracts. The prime contractor is responsible for compliance by any subcontractor or lower tier subcontractor with the clauses set forth in paragraphs 1. through 5. In the

event of any violations of these clauses, the prime contractor and any subcontractor(s) responsible will be liable for any unpaid wages and monetary relief, including interest from the date of the underpayment or loss, due to any workers of lower-tier subcontractors, and associated liquidated damages and may be subject to debarment, as appropriate.

**5. Anti-retaliation.** It is unlawful for any person to discharge, demote, intimidate, threaten, restrain, coerce, blacklist, harass, or in any other manner discriminate against, or to cause any person to discharge, demote, intimidate, threaten, restrain, coerce, blacklist, harass, or in any other manner discriminate against, any worker or job applicant for:

- a. Notifying any contractor of any conduct which the worker reasonably believes constitutes a violation of the Contract Work Hours and Safety Standards Act (CWHSSA) or its implementing regulations in this part;
- b. Filing any complaint, initiating or causing to be initiated any proceeding, or otherwise asserting or seeking to assert on behalf of themselves or others any right or protection under CWHSSA or this part;
- c. Cooperating in any investigation or other compliance action, or testifying in any proceeding under CWHSSA or this part; or
- d. Informing any other person about their rights under CWHSSA or this part.

### VI. SUBLETTING OR ASSIGNING THE CONTRACT

This provision is applicable to all Federal-aid construction contracts on the National Highway System pursuant to 23 CFR 635.116.

1. The contractor shall perform with its own organization contract work amounting to not less than 30 percent (or a greater percentage if specified elsewhere in the contract) of the total original contract price, excluding any specialty items designated by the contracting agency. Specialty items may be performed by subcontract and the amount of any such specialty items performed may be deducted from the total original contract price before computing the amount of work required to be performed by the contractor's own organization (23 CFR 635.116).

a. The term "perform work with its own organization" in paragraph 1 of Section VI refers to workers employed or leased by the prime contractor, and equipment owned or rented by the prime contractor, with or without operators. Such term does not include employees or equipment of a subcontractor or lower tier subcontractor, agents of the prime contractor, or any other assignees. The term may include payments for the costs of hiring leased employees from an employee leasing firm meeting all relevant Federal and State regulatory requirements. Leased employees may only be included in this term if the prime contractor meets all of the following conditions: (based on longstanding interpretation)

- (1) the prime contractor maintains control over the supervision of the day-to-day activities of the leased employees;
- (2) the prime contractor remains responsible for the quality of the work of the leased employees;

- (3) the prime contractor retains all power to accept or exclude individual employees from work on the project; and
- (4) the prime contractor remains ultimately responsible for the payment of predetermined minimum wages, the submission of payrolls, statements of compliance and all other Federal regulatory requirements.

b. "Specialty Items" shall be construed to be limited to work that requires highly specialized knowledge, abilities, or equipment not ordinarily available in the type of contracting organizations qualified and expected to bid or propose on the contract as a whole and in general are to be limited to minor components of the overall contract. 23 CFR 635.102.

2. Pursuant to 23 CFR 635.116(a), the contract amount upon which the requirements set forth in paragraph (1) of Section VI is computed includes the cost of material and manufactured products which are to be purchased or produced by the contractor under the contract provisions.

3. Pursuant to 23 CFR 635.116(c), the contractor shall furnish (a) a competent superintendent or supervisor who is employed by the firm, has full authority to direct performance of the work in accordance with the contract requirements, and is in charge of all construction operations (regardless of who performs the work) and (b) such other of its own organizational resources (supervision, management, and engineering services) as the contracting officer determines is necessary to assure the performance of the contract.

4. No portion of the contract shall be sublet, assigned or otherwise disposed of except with the written consent of the contracting officer, or authorized representative, and such consent when given shall not be construed to relieve the contractor of any responsibility for the fulfillment of the contract. Written consent will be given only after the contracting agency has assured that each subcontract is evidenced in writing and that it contains all pertinent provisions and requirements of the prime contract. (based on long-standing interpretation of 23 CFR 635.116).

5. The 30-percent self-performance requirement of paragraph (1) is not applicable to design-build contracts; however, contracting agencies may establish their own self-performance requirements. 23 CFR 635.116(d).

## VII. SAFETY: ACCIDENT PREVENTION

This provision is applicable to all Federal-aid construction contracts and to all related subcontracts.

1. In the performance of this contract the contractor shall comply with all applicable Federal, State, and local laws governing safety, health, and sanitation (23 CFR Part 635). The contractor shall provide all safeguards, safety devices and protective equipment and take any other needed actions as it determines, or as the contracting officer may determine, to be reasonably necessary to protect the life and health of employees on the job and the safety of the public and to protect property in connection with the performance of the work covered by the contract. 23 CFR 635.108.

2. It is a condition of this contract, and shall be made a condition of each subcontract, which the contractor enters into pursuant to this contract, that the contractor and any subcontractor shall not permit any employee, in performance of the contract, to work in surroundings or under conditions which are unsanitary, hazardous or dangerous to his/her health or safety, as determined under construction safety and

health standards (29 CFR Part 1926) promulgated by the Secretary of Labor, in accordance with Section 107 of the Contract Work Hours and Safety Standards Act (40 U.S.C. 3704). 29 CFR 1926.10.

3. Pursuant to 29 CFR 1926.3, it is a condition of this contract that the Secretary of Labor or authorized representative thereof, shall have right of entry to any site of contract performance to inspect or investigate the matter of compliance with the construction safety and health standards and to carry out the duties of the Secretary under Section 107 of the Contract Work Hours and Safety Standards Act (40 U.S.C. 3704).

## VIII. FALSE STATEMENTS CONCERNING HIGHWAY PROJECTS

This provision is applicable to all Federal-aid construction contracts and to all related subcontracts.

In order to assure high quality and durable construction in conformity with approved plans and specifications and a high degree of reliability on statements and representations made by engineers, contractors, suppliers, and workers on Federal-aid highway projects, it is essential that all persons concerned with the project perform their functions as carefully, thoroughly, and honestly as possible. Willful falsification, distortion, or misrepresentation with respect to any facts related to the project is a violation of Federal law. To prevent any misunderstanding regarding the seriousness of these and similar acts, Form FHWA-1022 shall be posted on each Federal-aid highway project (23 CFR Part 635) in one or more places where it is readily available to all persons concerned with the project:

18 U.S.C. 1020 reads as follows:

"Whoever, being an officer, agent, or employee of the United States, or of any State or Territory, or whoever, whether a person, association, firm, or corporation, knowingly makes any false statement, false representation, or false report as to the character, quality, quantity, or cost of the material used or to be used, or the quantity or quality of the work performed or to be performed, or the cost thereof in connection with the submission of plans, maps, specifications, contracts, or costs of construction on any highway or related project submitted for approval to the Secretary of Transportation; or

Whoever knowingly makes any false statement, false representation, false report or false claim with respect to the character, quality, quantity, or cost of any work performed or to be performed, or materials furnished or to be furnished, in connection with the construction of any highway or related project approved by the Secretary of Transportation; or

Whoever knowingly makes any false statement or false representation as to material fact in any statement, certificate, or report submitted pursuant to provisions of the Federal-aid Roads Act approved July 11, 1916, (39 Stat. 355), as amended and supplemented;

Shall be fined under this title or imprisoned not more than 5 years or both."



**IX. IMPLEMENTATION OF CLEAN AIR ACT AND FEDERAL WATER POLLUTION CONTROL ACT (42 U.S.C. 7606; 2 CFR 200.88; EO 11738)**

This provision is applicable to all Federal-aid construction contracts in excess of \$150,000 and to all related subcontracts. 48 CFR 2.101; 2 CFR 200.327.

By submission of this bid/proposal or the execution of this contract or subcontract, as appropriate, the bidder, proposer, Federal-aid construction contractor, subcontractor, supplier, or vendor agrees to comply with all applicable standards, orders or regulations issued pursuant to the Clean Air Act (42 U.S.C. 7401-7671q) and the Federal Water Pollution Control Act, as amended (33 U.S.C. 1251-1387). Violations must be reported to the Federal Highway Administration and the Regional Office of the Environmental Protection Agency. 2 CFR Part 200, Appendix II.

The contractor agrees to include or cause to be included the requirements of this Section in every subcontract, and further agrees to take such action as the contracting agency may direct as a means of enforcing such requirements. 2 CFR 200.327.

**X. CERTIFICATION REGARDING DEBARMENT, SUSPENSION, INELIGIBILITY AND VOLUNTARY EXCLUSION**

This provision is applicable to all Federal-aid construction contracts, design-build contracts, subcontracts, lower-tier subcontracts, purchase orders, lease agreements, consultant contracts or any other covered transaction requiring FHWA approval or that is estimated to cost \$25,000 or more – as defined in 2 CFR Parts 180 and 1200. 2 CFR 180.220 and 1200.220.

**1. Instructions for Certification – First Tier Participants:**

a. By signing and submitting this proposal, the prospective first tier participant is providing the certification set out below.

b. The inability of a person to provide the certification set out below will not necessarily result in denial of participation in this covered transaction. The prospective first tier participant shall submit an explanation of why it cannot provide the certification set out below. The certification or explanation will be considered in connection with the department or agency's determination whether to enter into this transaction. However, failure of the prospective first tier participant to furnish a certification or an explanation shall disqualify such a person from participation in this transaction. 2 CFR 180.320.

c. The certification in this clause is a material representation of fact upon which reliance was placed when the contracting agency determined to enter into this transaction. If it is later determined that the prospective participant knowingly rendered an erroneous certification, in addition to other remedies available to the Federal Government, the contracting agency may terminate this transaction for cause of default. 2 CFR 180.325.

d. The prospective first tier participant shall provide immediate written notice to the contracting agency to whom this proposal is submitted if any time the prospective first tier participant learns that its certification was erroneous when submitted or has become erroneous by reason of changed circumstances. 2 CFR 180.345 and 180.350.

e. The terms "covered transaction," "debarred," "suspended," "ineligible," "participant," "person," "principal," and "voluntarily excluded," as used in this clause, are defined in 2 CFR Parts 180, Subpart I, 180.900-180.1020, and 1200. "First Tier Covered Transactions" refers to any covered transaction between a recipient or subrecipient of Federal funds and a participant (such as the prime or general contract). "Lower Tier Covered Transactions" refers to any covered transaction under a First Tier Covered Transaction (such as subcontracts). "First Tier Participant" refers to the participant who has entered into a covered transaction with a recipient or subrecipient of Federal funds (such as the prime or general contractor). "Lower Tier Participant" refers any participant who has entered into a covered transaction with a First Tier Participant or other Lower Tier Participants (such as subcontractors and suppliers).

f. The prospective first tier participant agrees by submitting this proposal that, should the proposed covered transaction be entered into, it shall not knowingly enter into any lower tier covered transaction with a person who is debarred, suspended, declared ineligible, or voluntarily excluded from participation in this covered transaction, unless authorized by the department or agency entering into this transaction. 2 CFR 180.330.

g. The prospective first tier participant further agrees by submitting this proposal that it will include the clause titled "Certification Regarding Debarment, Suspension, Ineligibility and Voluntary Exclusion-Lower Tier Covered Transactions," provided by the department or contracting agency, entering into this covered transaction, without modification, in all lower tier covered transactions and in all solicitations for lower tier covered transactions exceeding the \$25,000 threshold. 2 CFR 180.220 and 180.300.

h. A participant in a covered transaction may rely upon a certification of a prospective participant in a lower tier covered transaction that is not debarred, suspended, ineligible, or voluntarily excluded from the covered transaction, unless it knows that the certification is erroneous. 2 CFR 180.300; 180.320, and 180.325. A participant is responsible for ensuring that its principals are not suspended, debarred, or otherwise ineligible to participate in covered transactions. 2 CFR 180.335. To verify the eligibility of its principals, as well as the eligibility of any lower tier prospective participants, each participant may, but is not required to, check the System for Award Management website (<https://www.sam.gov>). 2 CFR 180.300, 180.320, and 180.325.

i. Nothing contained in the foregoing shall be construed to require the establishment of a system of records in order to render in good faith the certification required by this clause. The knowledge and information of the prospective participant is not required to exceed that which is normally possessed by a prudent person in the ordinary course of business dealings.

j. Except for transactions authorized under paragraph (f) of these instructions, if a participant in a covered transaction knowingly enters into a lower tier covered transaction with a person who is suspended, debarred, ineligible, or voluntarily excluded from participation in this transaction, in addition to other remedies available to the Federal Government, the department or agency may terminate this transaction for cause or default. 2 CFR 180.325.

\* \* \* \* \*

**2. Certification Regarding Debarment, Suspension, Ineligibility and Voluntary Exclusion – First Tier Participants:**

a. The prospective first tier participant certifies to the best of its knowledge and belief, that it and its principals:

(1) Are not presently debarred, suspended, proposed for debarment, declared ineligible, or voluntarily excluded from participating in covered transactions by any Federal department or agency, 2 CFR 180.335;.

(2) Have not within a three-year period preceding this proposal been convicted of or had a civil judgment rendered against them for commission of fraud or a criminal offense in connection with obtaining, attempting to obtain, or performing a public (Federal, State, or local) transaction or contract under a public transaction; violation of Federal or State antitrust statutes or commission of embezzlement, theft, forgery, bribery, falsification or destruction of records, making false statements, or receiving stolen property, 2 CFR 180.800;

(3) Are not presently indicted for or otherwise criminally or civilly charged by a governmental entity (Federal, State or local) with commission of any of the offenses enumerated in paragraph (a)(2) of this certification, 2 CFR 180.700 and 180.800; and

(4) Have not within a three-year period preceding this application/proposal had one or more public transactions (Federal, State or local) terminated for cause or default. 2 CFR 180.335(d).

(5) Are not a corporation that has been convicted of a felony violation under any Federal law within the two-year period preceding this proposal (USDOT Order 4200.6 implementing appropriations act requirements); and

(6) Are not a corporation with any unpaid Federal tax liability that has been assessed, for which all judicial and administrative remedies have been exhausted, or have lapsed, and that is not being paid in a timely manner pursuant to an agreement with the authority responsible for collecting the tax liability (USDOT Order 4200.6 implementing appropriations act requirements).

b. Where the prospective participant is unable to certify to any of the statements in this certification, such prospective participant should attach an explanation to this proposal. 2 CFR 180.335 and 180.340.

\* \* \* \* \*

**3. Instructions for Certification - Lower Tier Participants:**

(Applicable to all subcontracts, purchase orders, and other lower tier transactions requiring prior FHWA approval or estimated to cost \$25,000 or more - 2 CFR Parts 180 and 1200). 2 CFR 180.220 and 1200.220.

a. By signing and submitting this proposal, the prospective lower tier participant is providing the certification set out below.

b. The certification in this clause is a material representation of fact upon which reliance was placed when this transaction was entered into. If it is later determined that the prospective lower tier participant knowingly rendered an erroneous certification, in addition to other remedies available to the Federal Government, the department, or agency with which

this transaction originated may pursue available remedies, including suspension and/or debarment.

c. The prospective lower tier participant shall provide immediate written notice to the person to which this proposal is submitted if at any time the prospective lower tier participant learns that its certification was erroneous by reason of changed circumstances. 2 CFR 180.365.

d. The terms "covered transaction," "debarred," "suspended," "ineligible," "participant," "person," "principal," and "voluntarily excluded," as used in this clause, are defined in 2 CFR Parts 180, Subpart I, 180.900 – 180.1020, and 1200. You may contact the person to which this proposal is submitted for assistance in obtaining a copy of those regulations. "First Tier Covered Transactions" refers to any covered transaction between a recipient or subrecipient of Federal funds and a participant (such as the prime or general contract). "Lower Tier Covered Transactions" refers to any covered transaction under a First Tier Covered Transaction (such as subcontracts). "First Tier Participant" refers to the participant who has entered into a covered transaction with a recipient or subrecipient of Federal funds (such as the prime or general contractor). "Lower Tier Participant" refers any participant who has entered into a covered transaction with a First Tier Participant or other Lower Tier Participants (such as subcontractors and suppliers).

e. The prospective lower tier participant agrees by submitting this proposal that, should the proposed covered transaction be entered into, it shall not knowingly enter into any lower tier covered transaction with a person who is debarred, suspended, declared ineligible, or voluntarily excluded from participation in this covered transaction, unless authorized by the department or agency with which this transaction originated. 2 CFR 1200.220 and 1200.332.

f. The prospective lower tier participant further agrees by submitting this proposal that it will include this clause titled "Certification Regarding Debarment, Suspension, Ineligibility and Voluntary Exclusion-Lower Tier Covered Transaction," without modification, in all lower tier covered transactions and in all solicitations for lower tier covered transactions exceeding the \$25,000 threshold. 2 CFR 180.220 and 1200.220.

g. A participant in a covered transaction may rely upon a certification of a prospective participant in a lower tier covered transaction that is not debarred, suspended, ineligible, or voluntarily excluded from the covered transaction, unless it knows that the certification is erroneous. A participant is responsible for ensuring that its principals are not suspended, debarred, or otherwise ineligible to participate in covered transactions. To verify the eligibility of its principals, as well as the eligibility of any lower tier prospective participants, each participant may, but is not required to, check the System for Award Management website (<https://www.sam.gov>), which is compiled by the General Services Administration. 2 CFR 180.300, 180.320, 180.330, and 180.335.

h. Nothing contained in the foregoing shall be construed to require establishment of a system of records in order to render in good faith the certification required by this clause. The knowledge and information of participant is not required to exceed that which is normally possessed by a prudent person in the ordinary course of business dealings.

i. Except for transactions authorized under paragraph e of these instructions, if a participant in a covered transaction knowingly enters into a lower tier covered transaction with a person who is suspended, debarred, ineligible, or voluntarily

excluded from participation in this transaction, in addition to other remedies available to the Federal Government, the department or agency with which this transaction originated may pursue available remedies, including suspension and/or debarment. 2 CFR 180.325.

\* \* \* \* \*

**4. Certification Regarding Debarment, Suspension, Ineligibility and Voluntary Exclusion--Lower Tier Participants:**

a. The prospective lower tier participant certifies, by submission of this proposal, that neither it nor its principals:

(1) is presently debarred, suspended, proposed for debarment, declared ineligible, or voluntarily excluded from participating in covered transactions by any Federal department or agency, 2 CFR 180.355;

(2) is a corporation that has been convicted of a felony violation under any Federal law within the two-year period preceding this proposal (USDOT Order 4200.6 implementing appropriations act requirements); and

(3) is a corporation with any unpaid Federal tax liability that has been assessed, for which all judicial and administrative remedies have been exhausted, or have lapsed, and that is not being paid in a timely manner pursuant to an agreement with the authority responsible for collecting the tax liability. (USDOT Order 4200.6 implementing appropriations act requirements)

b. Where the prospective lower tier participant is unable to certify to any of the statements in this certification, such prospective participant should attach an explanation to this proposal.

\* \* \* \* \*

**XI. CERTIFICATION REGARDING USE OF CONTRACT FUNDS FOR LOBBYING**

This provision is applicable to all Federal-aid construction contracts and to all related subcontracts which exceed \$100,000. 49 CFR Part 20, App. A.

1. The prospective participant certifies, by signing and submitting this bid or proposal, to the best of his or her knowledge and belief, that:

a. No Federal appropriated funds have been paid or will be paid, by or on behalf of the undersigned, to any person for influencing or attempting to influence an officer or employee of any Federal agency, a Member of Congress, an officer or employee of Congress, or an employee of a Member of Congress in connection with the awarding of any Federal contract, the making of any Federal grant, the making of any Federal loan, the entering into of any cooperative agreement, and the extension, continuation, renewal, amendment, or modification of any Federal contract, grant, loan, or cooperative agreement.

b. If any funds other than Federal appropriated funds have been paid or will be paid to any person for influencing or attempting to influence an officer or employee of any Federal agency, a Member of Congress, an officer or employee of Congress, or an employee of a Member of Congress in connection with this Federal contract, grant, loan, or

cooperative agreement, the undersigned shall complete and submit Standard Form-LLL, "Disclosure Form to Report Lobbying," in accordance with its instructions.

2. This certification is a material representation of fact upon which reliance was placed when this transaction was made or entered into. Submission of this certification is a prerequisite for making or entering into this transaction imposed by 31 U.S.C. 1352. Any person who fails to file the required certification shall be subject to a civil penalty of not less than \$10,000 and not more than \$100,000 for each such failure.

3. The prospective participant also agrees by submitting its bid or proposal that the participant shall require that the language of this certification be included in all lower tier subcontracts, which exceed \$100,000 and that all such recipients shall certify and disclose accordingly.

**XII. USE OF UNITED STATES-FLAG VESSELS:**

This provision is applicable to all Federal-aid construction contracts, design-build contracts, subcontracts, lower-tier subcontracts, purchase orders, lease agreements, or any other covered transaction. 46 CFR Part 381.

This requirement applies to material or equipment that is acquired for a specific Federal-aid highway project. 46 CFR 381.7. It is not applicable to goods or materials that come into inventories independent of an FHWA funded-contract.

When oceanic shipments (or shipments across the Great Lakes) are necessary for materials or equipment acquired for a specific Federal-aid construction project, the bidder, proposer, contractor, subcontractor, or vendor agrees:

1. To utilize privately owned United States-flag commercial vessels to ship at least 50 percent of the gross tonnage (computed separately for dry bulk carriers, dry cargo liners, and tankers) involved, whenever shipping any equipment, material, or commodities pursuant to this contract, to the extent such vessels are available at fair and reasonable rates for United States-flag commercial vessels. 46 CFR 381.7.

2. To furnish within 20 days following the date of loading for shipments originating within the United States or within 30 working days following the date of loading for shipments originating outside the United States, a legible copy of a rated, 'on-board' commercial ocean bill-of-lading in English for each shipment of cargo described in paragraph (b)(1) of this section to both the Contracting Officer (through the prime contractor in the case of subcontractor bills-of-lading) and to the Office of Cargo and Commercial Sealift (MAR-620), Maritime Administration, Washington, DC 20590. (MARAD requires copies of the ocean carrier's (master) bills of lading, certified onboard, dated, with rates and charges. These bills of lading may contain business sensitive information and therefore may be submitted directly to MARAD by the Ocean Transportation Intermediary on behalf of the contractor). 46 CFR 381.7.

**ATTACHMENT A - EMPLOYMENT AND MATERIALS  
PREFERENCE FOR APPALACHIAN DEVELOPMENT HIGHWAY  
SYSTEM OR APPALACHIAN LOCAL ACCESS**

**ROAD CONTRACTS** (23 CFR 633, Subpart B, Appendix B)

This provision is applicable to all Federal-aid projects funded under the Appalachian Regional Development Act of 1965.

1. During the performance of this contract, the contractor undertaking to do work which is, or reasonably may be, done as on-site work, shall give preference to qualified persons who regularly reside in the labor area as designated by the DOL wherein the contract work is situated, or the subregion, or the Appalachian counties of the State wherein the contract work is situated, except:

a. To the extent that qualified persons regularly residing in the area are not available.

b. For the reasonable needs of the contractor to employ supervisory or specially experienced personnel necessary to assure an efficient execution of the contract work.

c. For the obligation of the contractor to offer employment to present or former employees as the result of a lawful collective bargaining contract, provided that the number of nonresident persons employed under this subparagraph (1c) shall not exceed 20 percent of the total number of employees employed by the contractor on the contract work, except as provided in subparagraph (4) below.

2. The contractor shall place a job order with the State Employment Service indicating (a) the classifications of the laborers, mechanics and other employees required to perform the contract work, (b) the number of employees required in each classification, (c) the date on which the participant estimates such employees will be required, and (d) any other pertinent information required by the State Employment Service to complete the job order form. The job order may be placed with the State Employment Service in writing or by telephone. If during the course of the contract work, the information submitted by the contractor in the original job order is substantially modified, the participant shall promptly notify the State Employment Service.

3. The contractor shall give full consideration to all qualified job applicants referred to him by the State Employment Service. The contractor is not required to grant employment to any job applicants who, in his opinion, are not qualified to perform the classification of work required.

4. If, within one week following the placing of a job order by the contractor with the State Employment Service, the State Employment Service is unable to refer any qualified job applicants to the contractor, or less than the number requested, the State Employment Service will forward a certificate to the contractor indicating the unavailability of applicants. Such certificate shall be made a part of the contractor's permanent project records. Upon receipt of this certificate, the contractor may employ persons who do not normally reside in the labor area to fill positions covered by the certificate, notwithstanding the provisions of subparagraph (1c) above.

5. The provisions of 23 CFR 633.207(e) allow the contracting agency to provide a contractual preference for the use of mineral resource materials native to the Appalachian region.

6. The contractor shall include the provisions of Sections 1 through 4 of this Attachment A in every subcontract for work which is, or reasonably may be, done as on-site work.