

FAU 8715 (OLD FAIRFIELD ROAD) RESURFACING PROJECT

01-17-2025 LETTING ITEM 155

| ROUTE | SECTION | COUNTY | CONTRACT | TOT. SHTS. | SHEET |
|----------|----------------|-----------|----------|------------|-------|
| FAU 8715 | 23-00143-00-RS | JEFFERSON | 99712 | 5 | 1 |

INDEX OF SHEETS

- COVER SHEET & LOCATION MAP
- SUMMARY OF QUANTITIES, GENERAL NOTES
- TYPICAL AND PROPOSED CROSS SECTIONS
- SIDE ROAD, PRIVATE ENTRANCE, MAILBOX DETAILS, MIX SCHEDULE
- STRIPING DETAILS

HIGHWAY STANDARDS

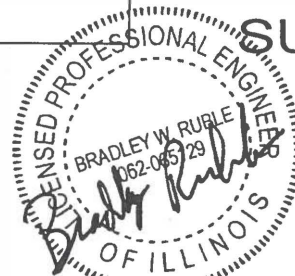
| | |
|-----------|----------|
| 000001-08 | BLR 21-9 |
| 701006-05 | BLR 22-7 |
| 701011-04 | |
| 701201-05 | |
| 701306-04 | |
| 701311-03 | |
| 701901-10 | |

ROADWAY CLASSIFICATION: MAJOR COLLECTOR
DESIGN SPEED: 50 MPH

ADT:
(2024) = 1950
(2044) = 2650
PC = 1762
SU = 161
MU = 57

PROJECT BEGINS
STATION 93+74.37
STINSON DR AND
OLD FAIRFIELD DR

TOTAL GROSS LENGTH = 8,443 FT. = 1.599 MILES
TOTAL NET LENGTH = 8,303 FT. = 1.573 MILES

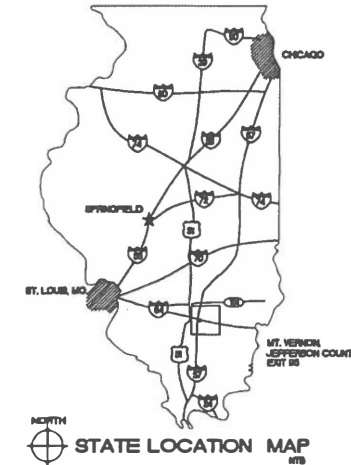


STATE OF ILLINOIS DEPARTMENT OF TRANSPORTATION DIVISION OF HIGHWAYS PLANS FOR PROPOSED SURFACE TRANSPORTATION PROJECT

FAU 8715 - OLD FAIRFIELD ROAD
SECTION 23-00143-00-RS
JEFFERSON COUNTY
BLTB(976)
C-99-006-25
CONTRACT # 99712

PROJECT ENDS
STATION: 178+17.51
CITY LIMITS
0.24 MILES WEST
OF CAMPGROUND LANE

BRIDGE EXCEPTION
041-0098
STATION 143+39
140 FEET



APPROVED
October 24, 2024

Brad Rulle
CITY ENGINEER
MT. VERNON CITY ENGINEER
1100 MAIN ST.
MT. VERNON, IL 62864
PH: 618-242-6830
LICENCE EXP. 11-30-25

APPROVED
Nov. 6, 2024

[Signature]
DISTRICT 9 ENGINEER OF LOCAL ROADS AND STREETS

RELEASING FOR BID BASED ON LIMITED REVIEW
Nov 6, 2024

[Signature]
KIRK BROWN, P.E.
DEPUTY DIRECTOR OF HIGHWAYS
REGION 5 ENGINEER
STATE OF ILLINOIS
DEPARTMENT OF TRANSPORTATION

PRINTED BY THE AUTHORITY OF
THE STATE OF ILLINOIS

FAU 8715 (OLD FAIRFIELD ROAD) RESURFACING PROJECT

| SUMMARY OF QUANTITIES | | | |
|-----------------------|--|-----------------|----------|
| | PAY ITEM | UNIT OF MEASURE | QUANTITY |
| 40200800 | AGGREGATE SURFACE COURSE, TYPE B | TON | 150 |
| 40600290 | BITUMINOUS MATERIALS (TACK COAT) | POUND | 9,964 |
| 40600990 | TEMPORARY RAMP | SQYD | 64 |
| 40600982 | HOT-MIX ASPHALT SURFACE REMOVAL - BUTT JOINT | SQYD | 86 |
| 40604052 | HOT-MIX ASPHALT SURFACE COURSE, IL-9.5, MIX "C", N70 | TON | 2,805 |
| 48101200 | AGGREGATE SHOULDERS, TYPE B | TON | 614 |
| 67100100 | MOBILIZATION | LSUM | 1 |
| 70300100 | SHORT-TERM PAVEMENT MARKING | FOOT | 2,076 |
| 70300150 | SHORT-TERM PAVEMENT MARKING REMOVAL | SQFT | 2,076 |
| * 78000200 | THERMOPLASTIC PAVEMENT MARKING - LINE 4" | FOOT | 20,636 |
| 44000157 | HOT-MIX ASPHALT SURFACE REMOVAL, 2" | SQYD | 22,142 |
| X7010216 | TRAFFIC CONTROL AND PROTECTION, (SPECIAL) | LSUM | 1 |

* SPECIALTY ITEM

GENERAL NOTES

ALL CONSTRUCTION SHALL BE DONE IN ACCORDANCE WITH THE STATE OF ILLINOIS "STANDARD SPECIFICATIONS FOR ROAD AND BRIDGE CONSTRUCTION ADOPTED JANUARY 1, 2022", "SUPPLEMENTAL SPECIFICATIONS AND RECURRING SPECIAL PROVISIONS ADOPTED APRIL 1, 2024", THESE PLANS AND THE SPECIAL PROVISIONS INCLUDED IN THE CONTRACT DOCUMENTS.

THE LOCATION OF ALL UTILITIES SHALL BE DETERMINED BY THE CONTRACTOR.

THE CONTRACTOR SHALL PROVIDE ACCESS TO ABUTTING PROPERTY AT ALL TIMES DURING THE CONSTRUCTION OF THE PROJECT.

THE FOLLOWING RATES HAVE BEEN USED IN CALCULATING PLAN QUANTITIES

| | |
|----------------------------------|-----------------|
| AGGREGATE SURFACE COURSE, TYPE B | 2.00 TON/ CU YD |
| HOT-MIX ASPHALT | 2.016 TONS/CY |
| TACK COAT | 0.05 LB/SF |

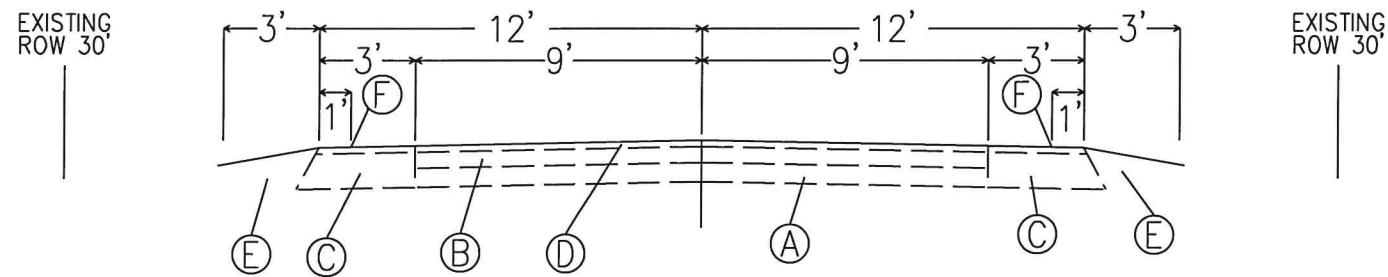
| ROUTE | SECTION | COUNTY | CONTRACT | TOT. SHTS. | SHEET |
|----------|----------------|-----------|----------|------------|-------|
| FAU 8715 | 23-00143-00-RS | JEFFERSON | 99712 | 5 | 2 |



CITY OF MOUNT VERNON

FAU 8715 (OLD FAIRFIELD ROAD) RESURFACING PROJECT

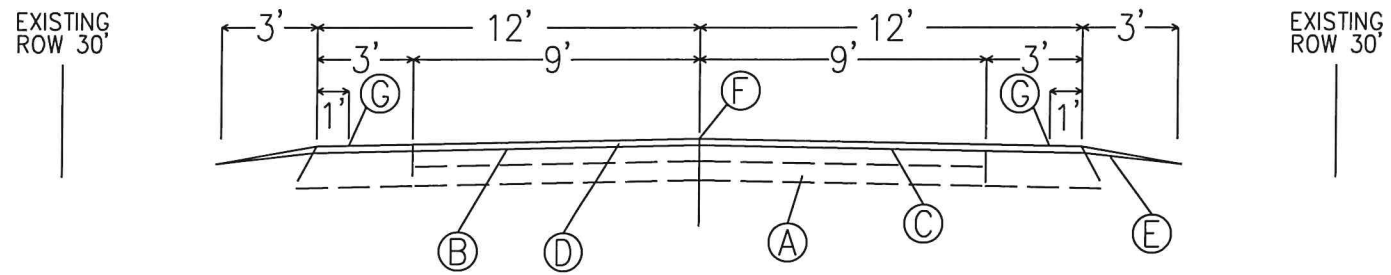
TYPICAL #1 EXISTING CROSS-SECTION
93+74.37 TO 178+17.51



- A. 6" PCC PAVEMENT
- B. BITUMINOUS CONCRETE BINDER COURSE, 5"
- C. BITUMINOUS CONCRETE BASE COURSE WIDENING, 9"
- D. BITUMINOUS CONCRETE SURFACE COURSE, 2"
- E. AGGREGATE OR EARTH SHOULDER
- F. STRIPE

BRIDGE EXCEPTION STATION 143+39, 140 FEET

TYPICAL #2 PROPOSED CROSS-SECTION
93+74.37 TO 178+17.51



- A. EXISTING PCC PAVEMENT
- B. EXISTING HMA SURFACE
- C. HOT-MIX ASPHALT SURFACE REMOVAL - 2"
- D. PROPOSED HOT-MIX ASPHALT SURFACE COURSE, MIX "C", N70, 2"
- E. PROPOSED AGGREGATE SHOULDER
- F. 4" THERMOPLASTIC CENTER STRIPING
- G. 4" THERMOPLASTIC STRIPE

BRIDGE EXCEPTION STATION 143+39, 140 FEET

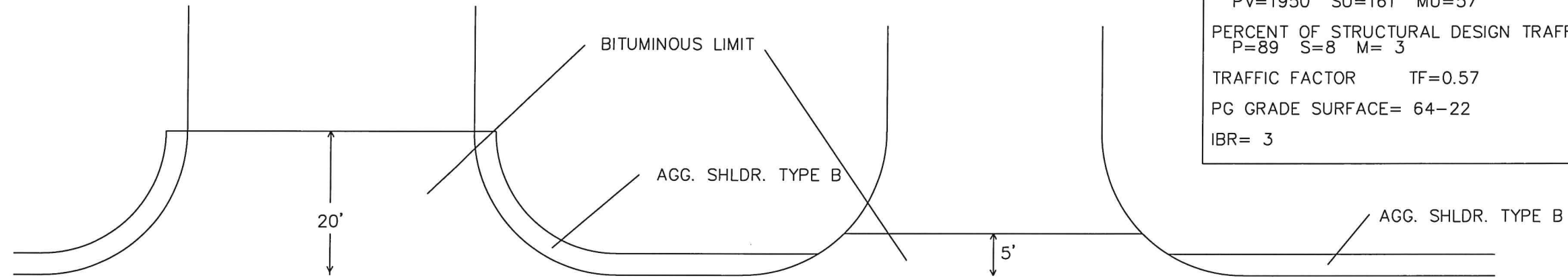
| ROUTE | SECTION | COUNTY | CONTRACT | TOT. SHTS. | SHEET |
|----------|----------------|-----------|----------|------------|-------|
| FAU 8715 | 23-00143-00-RS | JEFFERSON | 99712 | 5 | 3 |



FAU 8715 (OLD FAIRFIELD ROAD) RESURFACING PROJECT

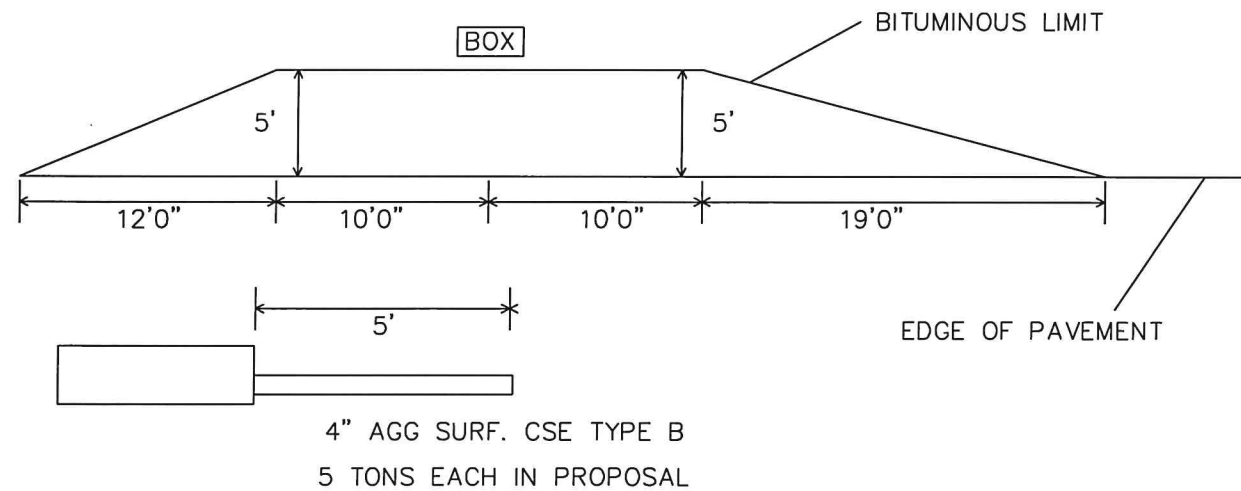
DETAIL OF SIDE ROAD INTERSECTION (5 EACH)
20 TONS OF BITUMINOUS EACH ALLOWED IN PROPOSAL

DETAILS OF PRIVATE ENTRANCE (70 EACH) (15 ASPHALT)
5 TONS OF BITUMINOUS EACH ALLOWED IN THE PROPOSAL



STRUCTURAL DESIGN TRAFFIC
PV=1950 SU=161 MU=57
PERCENT OF STRUCTURAL DESIGN TRAFFIC IN DESIGN LANE
P=89 S=8 M=3
TRAFFIC FACTOR TF=0.57
PG GRADE SURFACE= 64-22
IBR= 3

DETAIL OF MAILBOX TURNOUT (30 EACH)
5 TONS BITUMINOUS EACH ALLOWED IN THE PROPOSAL



| HOT MIX ASPHALT MIXTURE REQUIREMENTS | |
|--|--|
| LOCATION(S): | HOT-MIX ASPHALT SURFACE COURSE |
| MIXTURE USE(S): | HOT-MIX ASPHALT SURFACE COURSE, IL 9.5, MIX "C", N70 |
| AC/PG: | PG64-22 |
| RAP %(MAX) | 10 |
| DESIGN AIR VOIDS: | 4.0%, 70 GYRATION DESIGN |
| MIXTURE COMPOSITION (GRADATION MIXTURE) | IL-9.5 MM OR IL-12.5 MM |
| FRICTION AGGREGATE | C SURFACE |

| ROUTE | SECTION | COUNTY | CONTRACT | TOT. SHTS. | SHEET |
|----------|----------------|-----------|----------|------------|-------|
| FAU 8715 | 23-00143-00-RS | JEFFERSON | 99712 | 5 | 4 |



CITY OF MOUNT VERNON

FAU 8715 (OLD FAIRFIELD ROAD) RESURFACING PROJECT

| STRIPING SCHEDULE | | | | | | | | |
|-------------------|--------|--------|-------------------|------------|---------|---------|---------------|-------|
| | FROM | TO | TOTAL LENGTH (FT) | SKIPS (FT) | EB (FT) | WB (FT) | EDGELINE (FT) | TOTAL |
| SKIPS | 93+74 | 154+70 | 6096 | 1524 | | | 12192 | 13716 |
| EB NPZ | 154+70 | 160+20 | 550 | 138 | 550 | | 1100 | 1788 |
| NPZ | 160+20 | 163+90 | 370 | | 370 | 93 | 740 | 1203 |
| WB NPZ | 163+90 | 168+50 | 460 | 115 | | 460 | 920 | 1495 |
| SKIPS | 168+50 | 175+60 | 710 | 178 | | | 1420 | 1598 |
| EB NPZ | 175+60 | 178+17 | 257 | 65 | 257 | | 514 | 836 |
| | | | 8443 | 2020 | 1177 | 553 | 16886 | 20636 |

CROSS ROAD STATIONING

MEMORY LANE 108+65
 PARKLAND LANE 114+20
 COUNTY FARM ROAD 122+68
 BRIDGE 041-0098 143+39
 COUNTRY CLUB ROAD 164+44

| ROUTE | SECTION | COUNTY | CONTRACT | TOT. SHTS. | SHEET |
|----------|----------------|-----------|----------|------------|-------|
| FAU 8715 | 23-00143-00-RS | JEFFERSON | 99712 | 5 | 5 |

