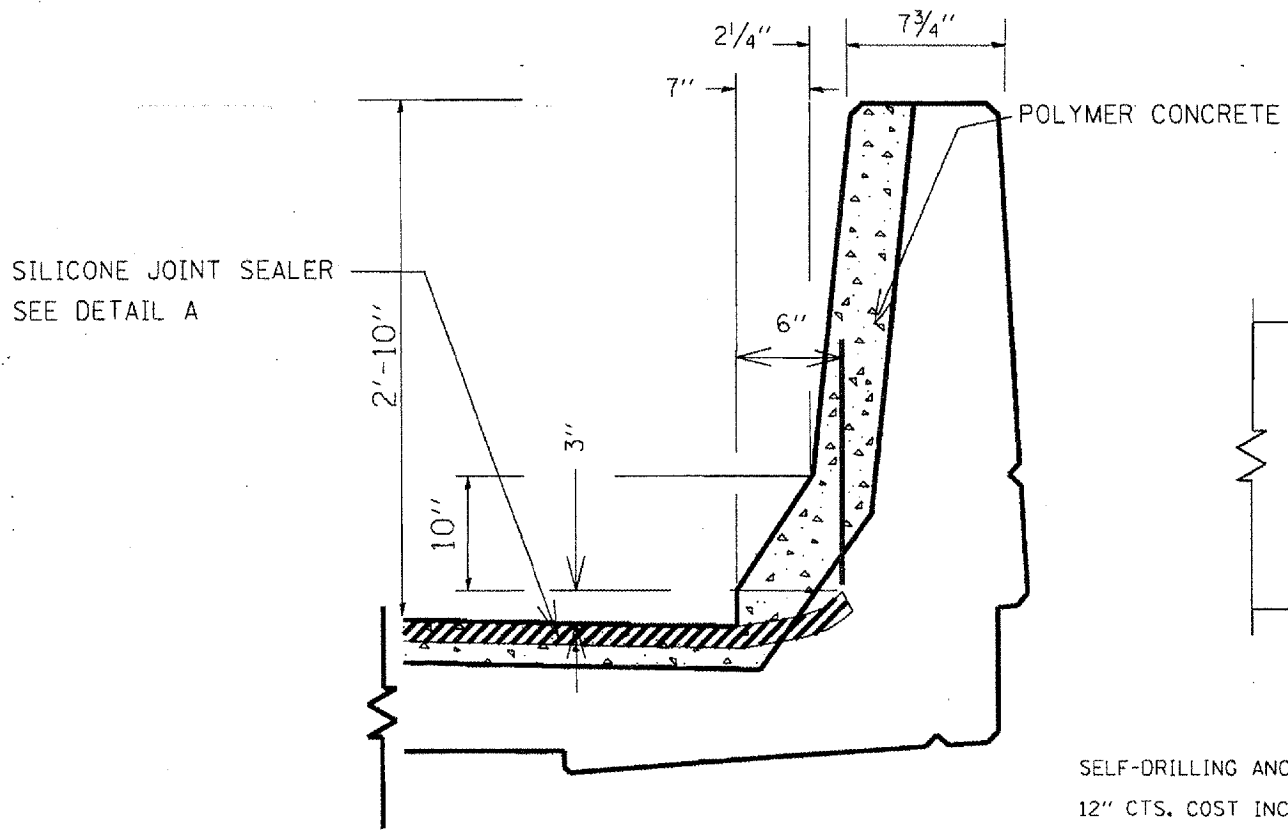
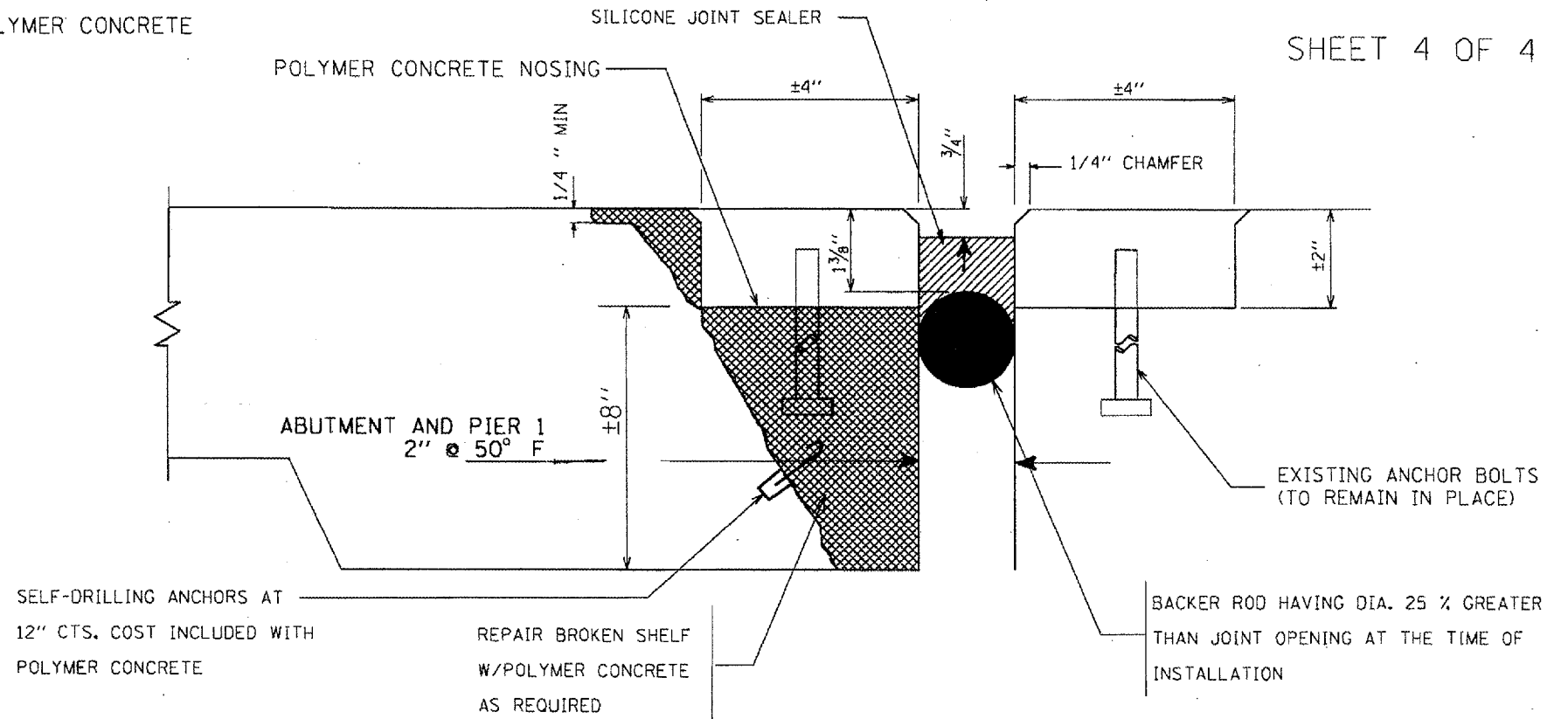


CONTRACT NO.				
F.A. RTE.	SECTION	COUNTY	TOTAL SHEETS	SHEET NO.
389	2006-007	KANE, KENDALL	38	8
STA.		TO STA.		
FED. ROAD DIST. NO.		ILLINOIS FED. AID PROJECT		

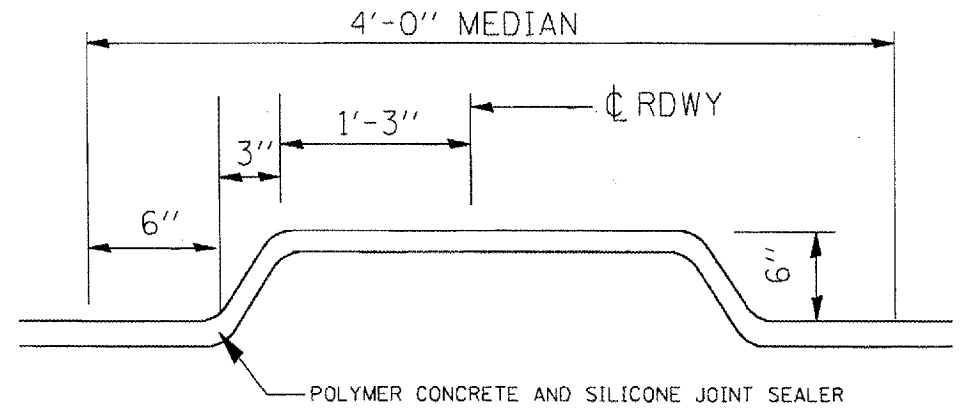
SHEET 4 OF 4



END OF SEAL TREATMENT



DETAIL A



SEAL TREATMENT AT MEDIAN

PLOT DATE • 12/7/2007
 PLOT SCALE • 1/8" = 1'-0"
 USER NAME • mshelton

Rev

REVISIONS	
NAME	DATE

ILLINOIS DEPARTMENT OF TRANSPORTATION
 REPAIR DETAIL A
 LOCATION 1
 IL 31 OVER BNSF RR
 SN 047-0006
 SCALE: VERT. _____
 HORIZ. _____
 DATE _____
 DRAWN BY _____
 CHECKED BY _____