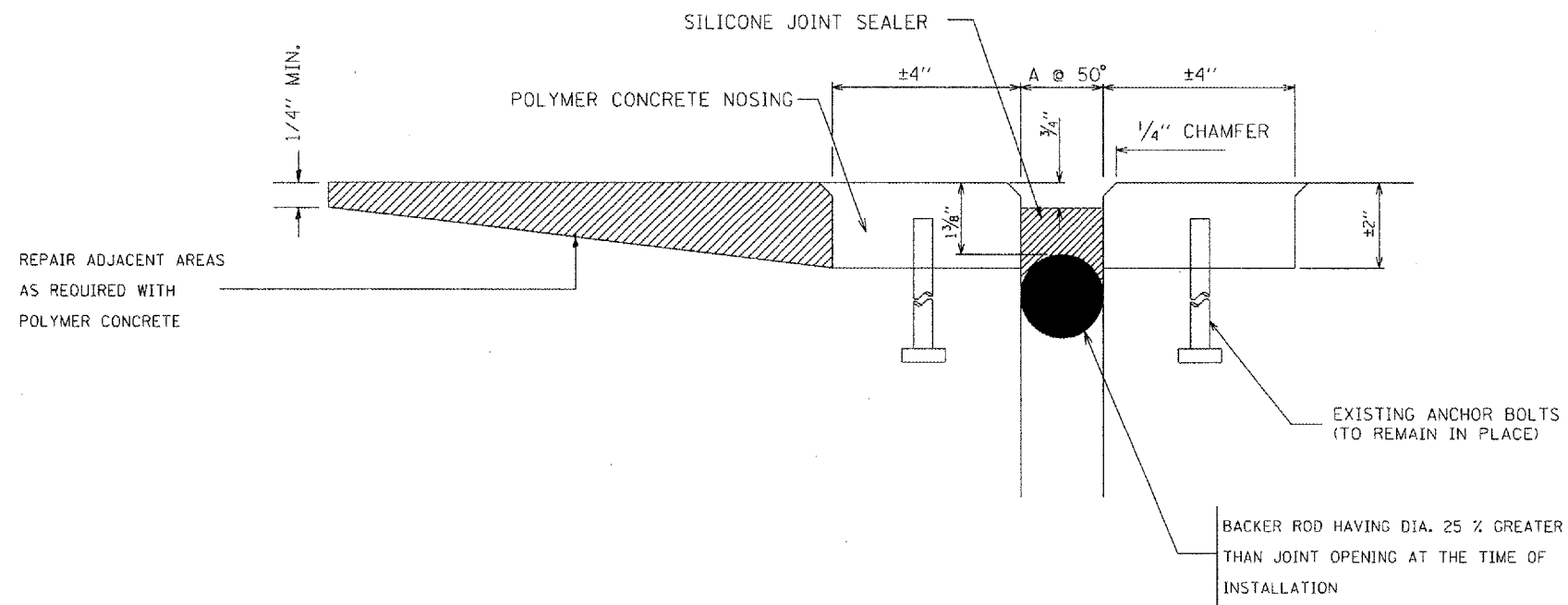
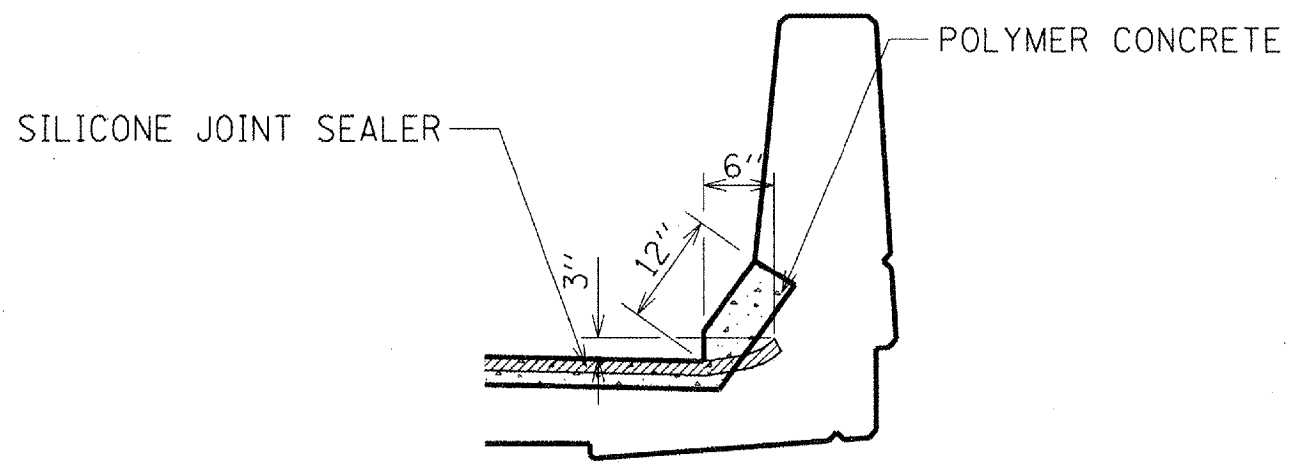


CONTRACT NO.				
F.A. #	SECTION	COUNTY	TOTAL SHEETS	SHEET NO.
B60 349	2006-007 1	KANE RENDALL	38	15
STA.	TO STA.			
FED. ROAD DIST. NO.	ILLINOIS	FED. AID PROJECT		

SHEET 7 OF 27



LOCATION	A
WEST ABUTMENT	2"
EAST ABUTMENT	2.5"
PIER 4	2"
PIER 5	2"



REVISIONS		ILLINOIS DEPARTMENT OF TRANSPORTATION REPAIR DETAIL B LOCATION 2 IL 31 OVER BNSF RR SN 045-0039
NAME	DATE	
		SCALE: VERT. DATE HORIZ. DRAWN BY CHECKED BY

PLOT DATE \* 8/26/2007  
 FILE NAME \* c:\projects\11863786\11863786.dgn  
 PLOT SCALE \* 1/8" = 1' IN.  
 USER NAME \* mitchellr