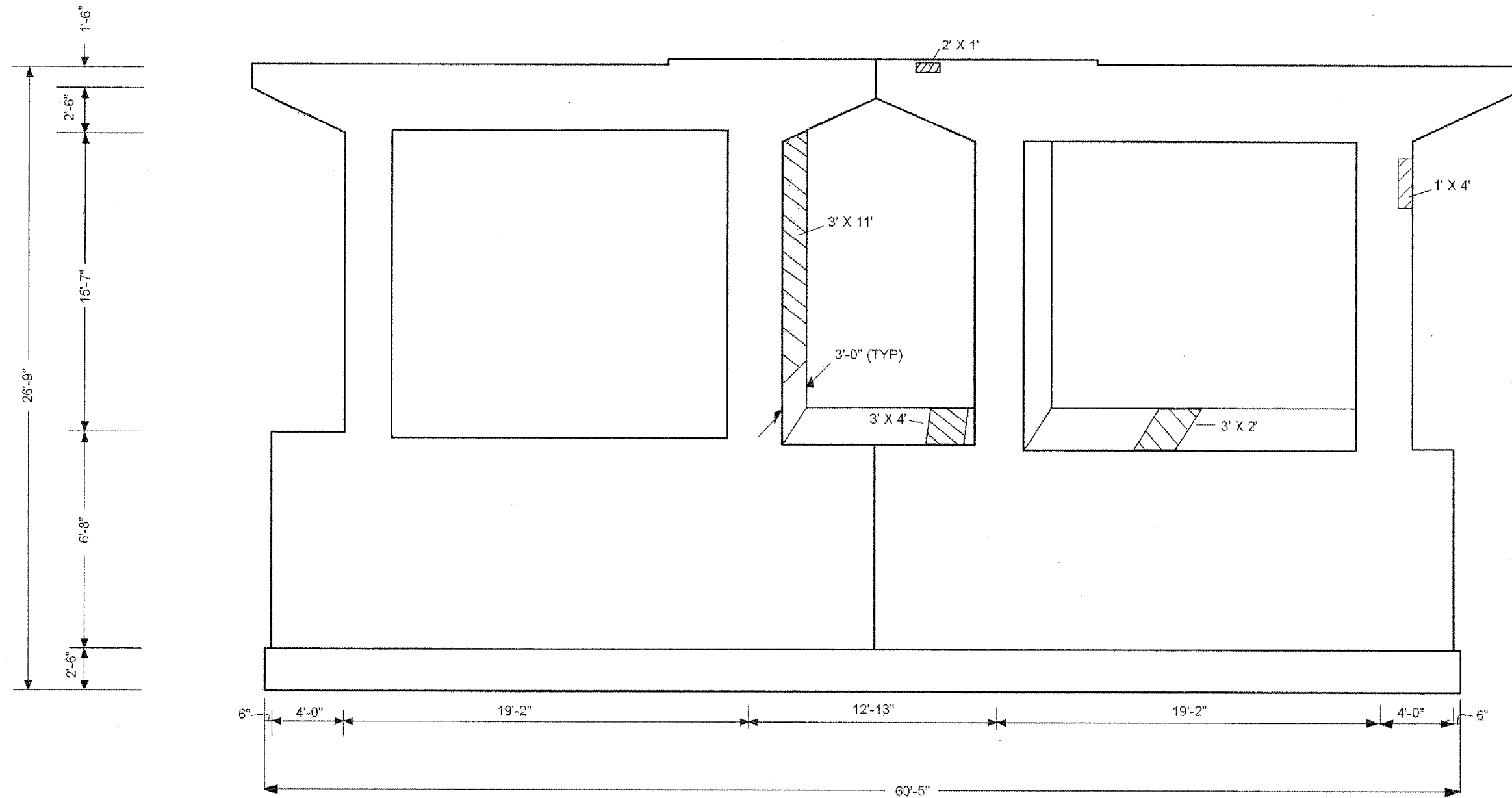


ROUTE	SECTION	COUNTY	TOTAL SHEETS	SHEET NUMBER
FAP 860 AND 349	2006-007 I	KANE & KENDALL	38	31

CONTRACT NO. 60B26

SHEET 23 OF 27



1 OF 2

PIER 9 WEST FACE  
(LOOKING EAST)

ILLINOIS DEPARTMENT OF TRANSPORTATION  
LOCATION 2

PIER 9 WEST FACE  
US 30 OVER IL 31 & BNSF RR  
SN 045-0039