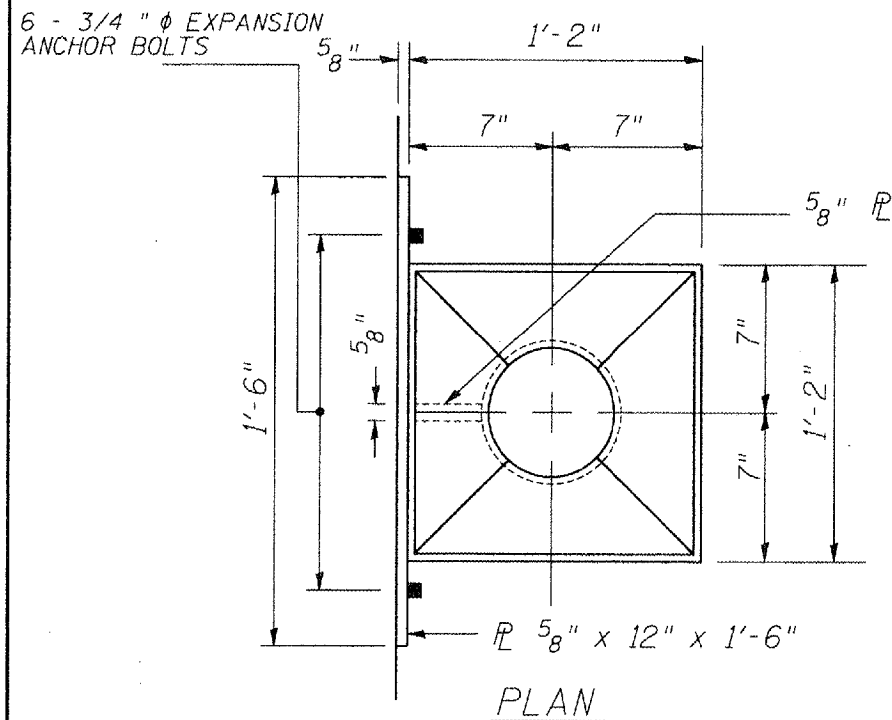
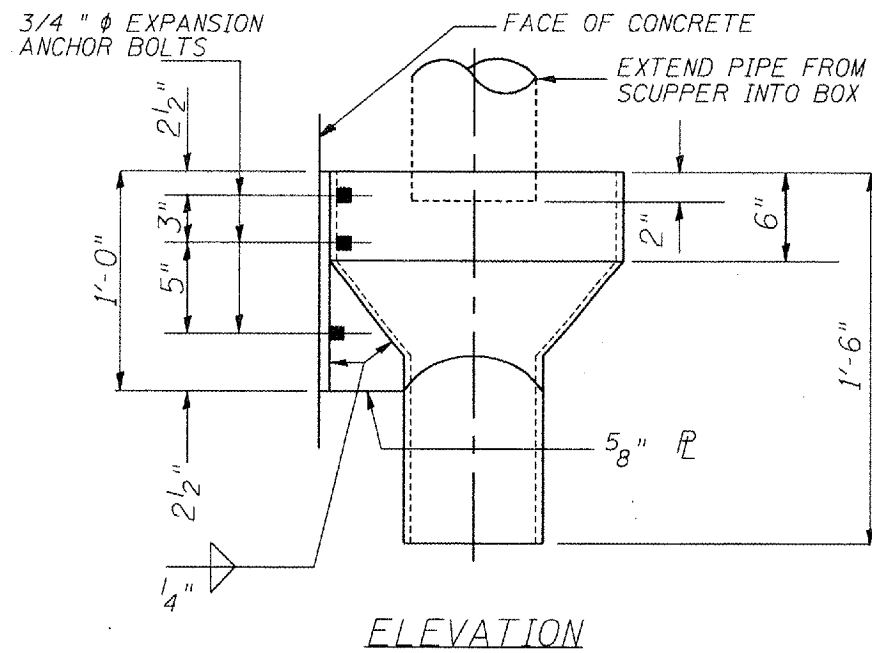


F.A.P. RTE.	SECTION	COUNTY	TOTAL SHEETS	SHEET NO.
950 349	2006-007 I	KANE/KENDALL	38	35
STA.		TO STA.		
FED. ROAD DIST. NO.		ILLINOIS FED. AID PROJECT		



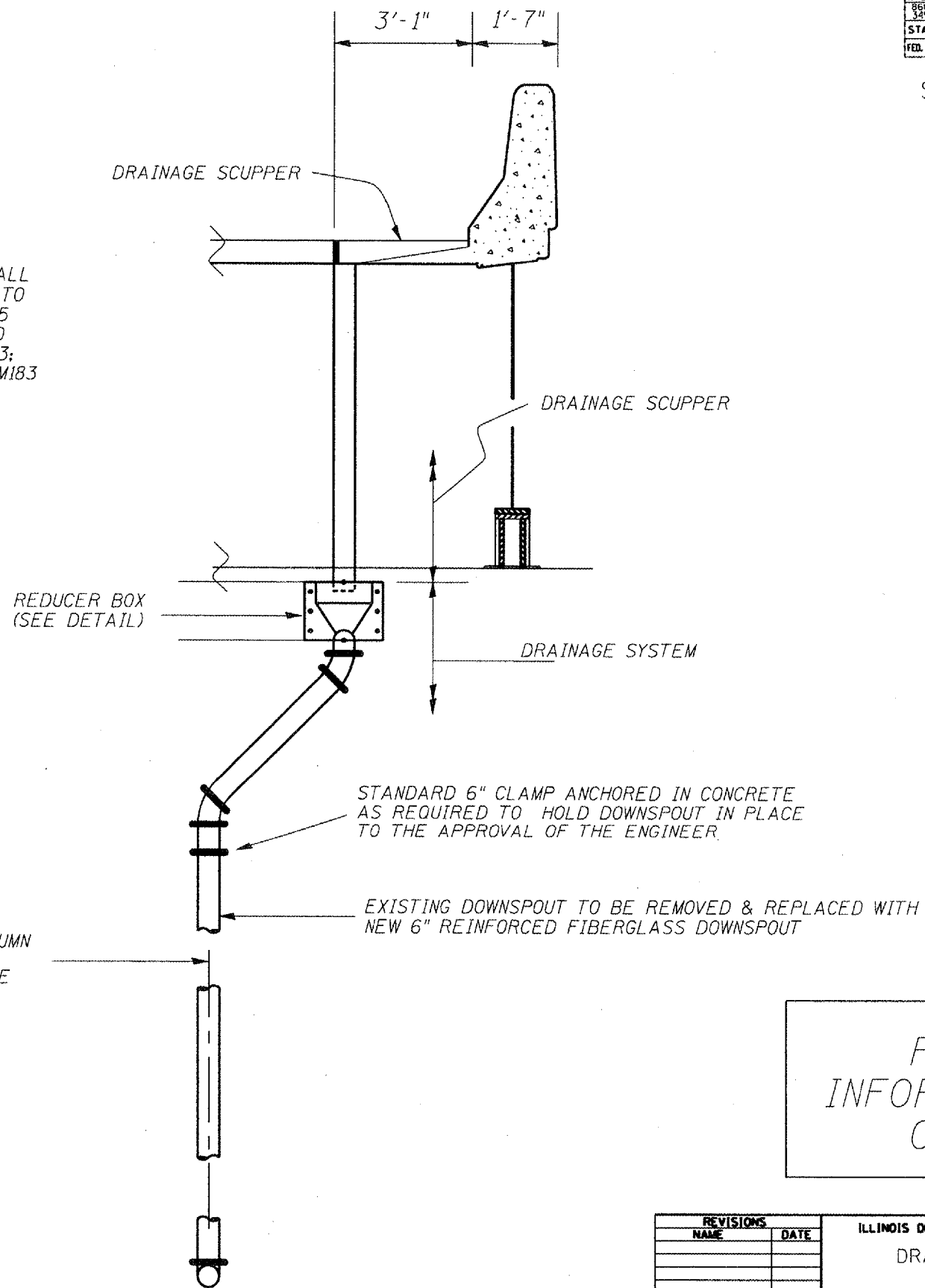
THE REDUCER BOX AND PLATES SHALL EITHER BE CAST IRON CONFORMING TO THE REQUIREMENTS OF AASHTO M185 CLASS 30 OR STEEL CONFORMING TO THE REQUIREMENTS OF AASHTO M183; AFTER FABRICATION, ALL AASHTO M183 STEEL SHALL BE GALVANIZED IN ACCORDANCE W/AASHTO M111. BOLTS, NUTS & WASHERS SHALL CONFORM TO THE REQUIREMENTS OF ASTM A-307 AND SHALL BE GALVANIZED IN ACCORDANCE W/AASHTO M232.



REDUCER BOX DETAIL

NOTE:

THIS SHEET CONTAINS REPRODUCTIONS OF SHEET S10 OF S30, SHEET NO. 25 OF 71 OF CONTRACT 38747 DONE IN 1985 AND IS INTENDED FOR INFORMATION ONLY REGARDING PAY ITEM "CLEANING DRAINAGE SYSTEM", ALL SCUPPERS TO BE CLEANED AS PART OF AND INCLUDED IN THE COST OF "CLEANING DRAINAGE SYSTEM".



DRAINAGE SYSTEM

(TYPICAL AT PIERS) DETAIL AT ABUTMENT IS DIFFERENT

FOR INFORMATION ONLY

REVISIONS	
NAME	DATE

ILLINOIS DEPARTMENT OF TRANSPORTATION

DRAINAGE DETAIL

LOCATION 1

IL 31 OVER BNSF RR

SN 045-0039

SCALE: VERT. DATE

HORIZ. DRAWN BY CHECKED BY