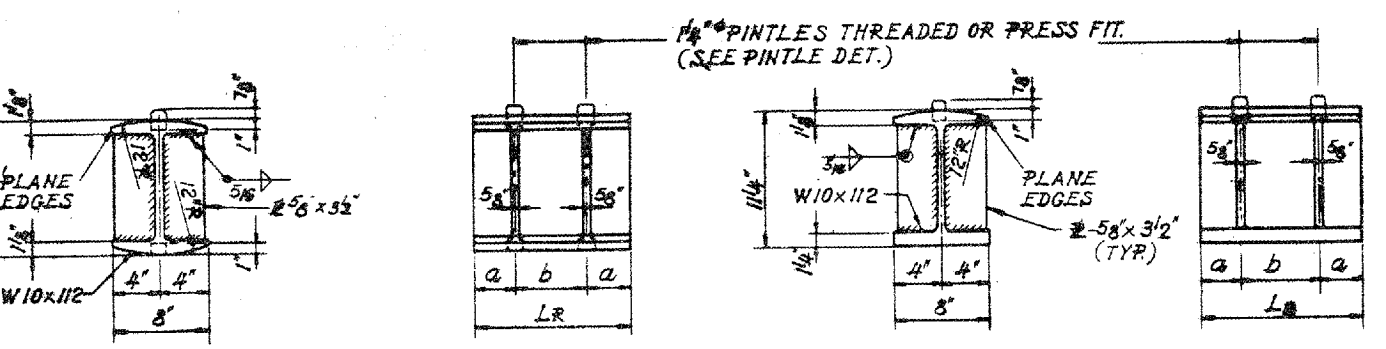
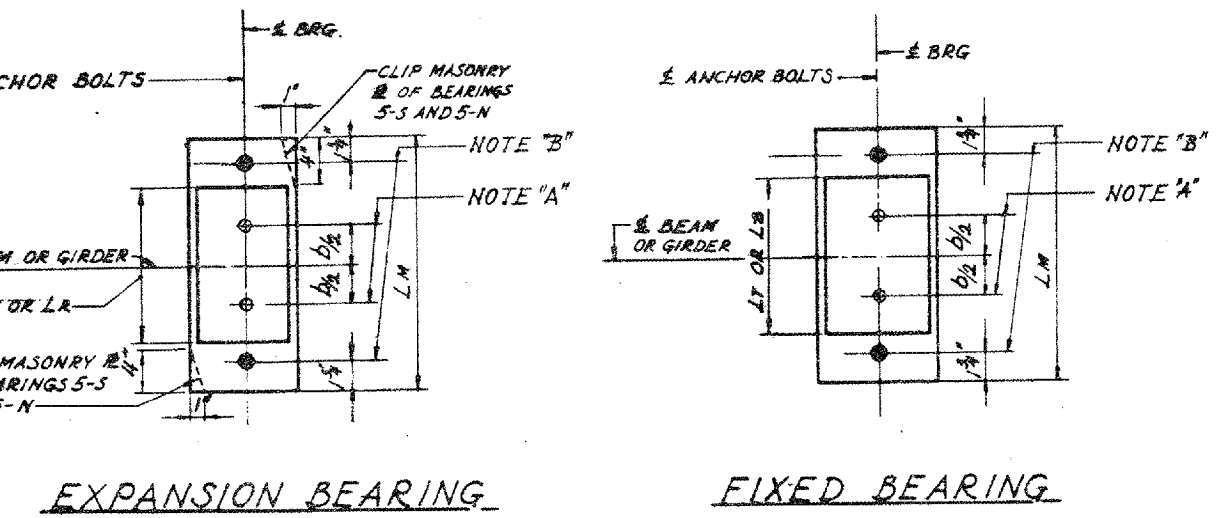
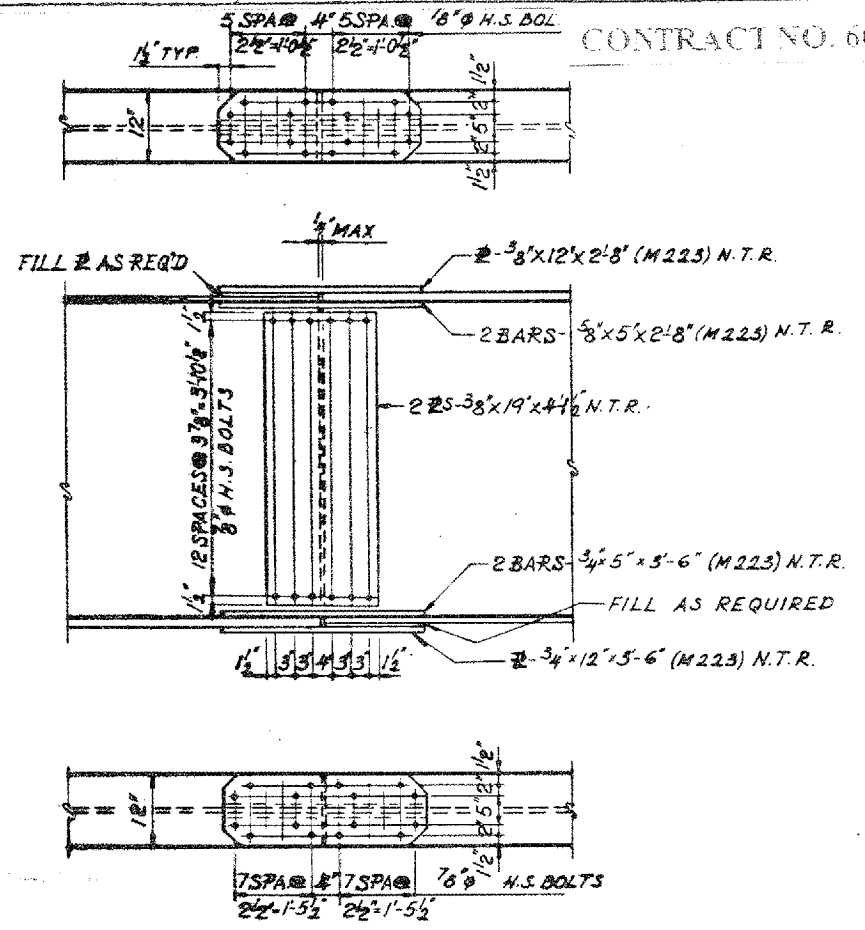
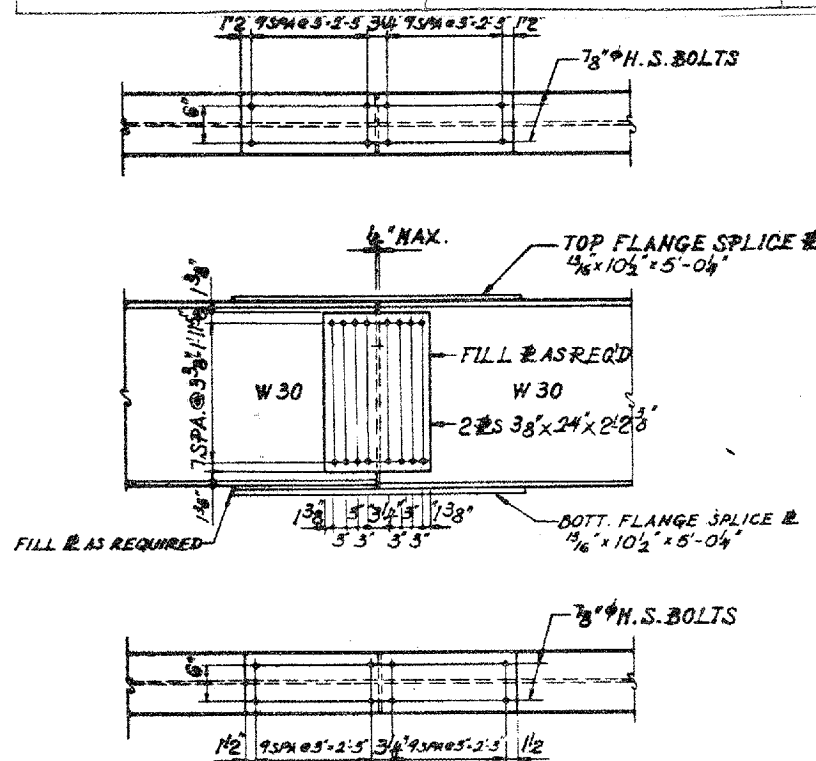
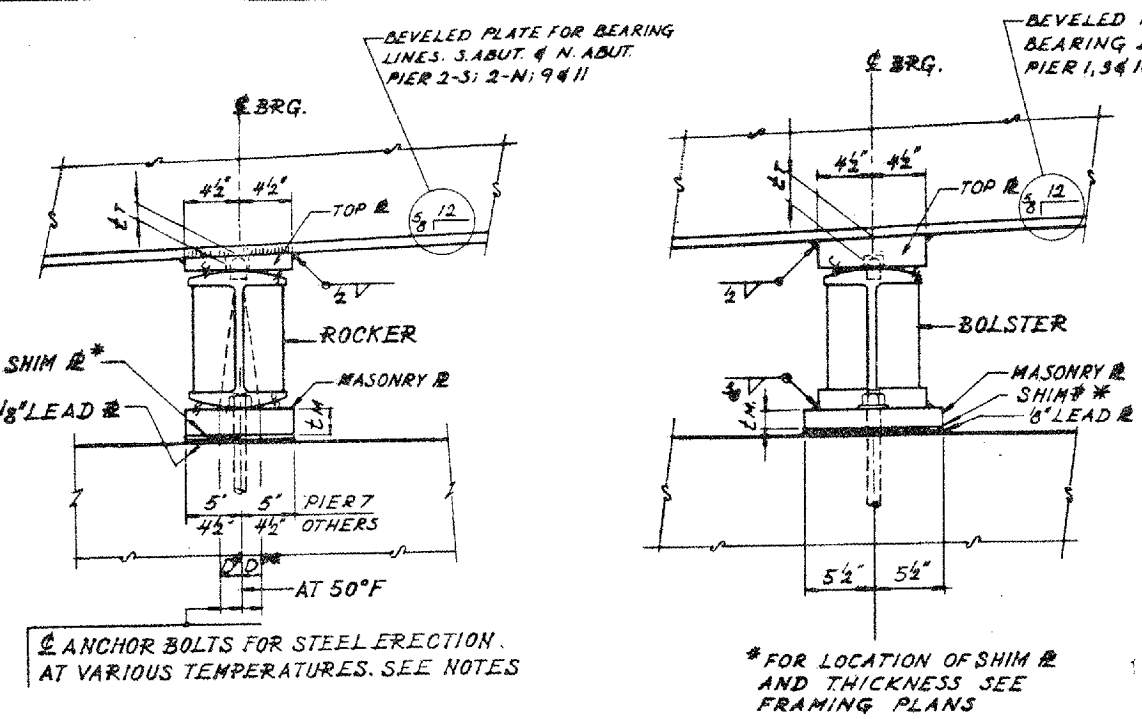


ROUTE	SECTION	COUNTY	TOTAL SHEETS	SHEET NUMBER
VARIOUS	2006-019 BP	COOK	37	12 A

CONTRACT NO. 60B44



LOCATION	TOP PLATE		ROCKER		MASONRY PLATE		
	LT	LT	LR	a	b	LM	LM
ABUTMENT & N. ABUTMENT	1'	11 1/2"	11 1/2"	3"	5 1/2"	13 1/4"	19"
2-S-SP2, PIER 3N-SP-3	1 3/8"	11 1/2"	11 1/2"	3"	5 1/2"	13 1/4"	19"
5-S-SP5, PIER 8N-SP-9	1 3/8"	11 1/2"	11 1/2"	3"	5 1/2"	13 1/4"	19"
4, PIER 9 & PIER 11	1 3/8"	11 1/2"	11 1/2"	3"	5 1/2"	13 1/4"	19"
5-N-SPAN 6	1'	13 1/2"	13 1/2"	3 1/2"	6 1/2"	13 1/4"	21"
8-S-SPAN 8	1'	13 1/2"	13 1/2"	3 1/2"	6 1/2"	13 1/4"	21"
PIER 7	1'	13 1/2"	13 1/2"	3 1/2"	6 1/2"	2"	21"

LOCATION	TOP PLATE		BOLSTER		MASONRY PLATE		
	LT	LT	LR	a	b	LM	LM
PIER 1, PIER 3 & PIER 10	13 1/2"	11 1/2"	11 1/2"	3"	5 1/2"	13 1/4"	19"
PIER 6	2'	14 1/2"	14 1/2"	4"	6 1/2"	17 1/2"	22"

FILL WITH FIBROUS GREASE

PINTLE MAY BE THREADED OR PRESSED FIT INTO MASONRY & OR TOP OF ROCKER

NOTE "A":
1-3/8" DIAMETER HOLES - 1" DEEP IN TOP PLATE FOR PINTLES. THREAD OR PRESS FIT PINTLES INTO BOTTOM PLATE.

NOTE "B":
2" DIAMETER HOLES FOR 1-1/4" DIAMETER X 17" ANCHOR BOLTS. 3/8" X 3" X 3" PLATE WASHERS UNDER NUT.

NOTES ON SETTING OF ANCHOR BOLTS AT EXPANSION BEARINGS

D° (SIDE OF BEARING AWAY FROM FIXED BEARING)
D° = 1/8" PER EACH 100' OF EXPANSION FOR EVERY 15° FALL BELOW THE NORMAL TEMP. OF 50° F.

D** (SIDE OF BEARING TOWARD FIXED BEARING)
D** = 1/8" PER EACH 100' OF EXPANSION FOR EVERY 15° RISE ABOVE THE NORMAL TEMP. OF 50° F.

AFTER BEAMS HAVE BEEN ERECTED AND DIMENSIONS D° OR D** DETERMINED, HOLES SHALL BE DRILLED AND ANCHOR BOLTS SHALL BE GROUTED IN PLACE. ALL FIXED ANCHOR BOLTS MAY BE BUILT INTO THE MASONRY.

LOCATION NO. 2

EXIST. BRIDGE PLANS
IL 1 OVER IHB RR
SN: 016-0195