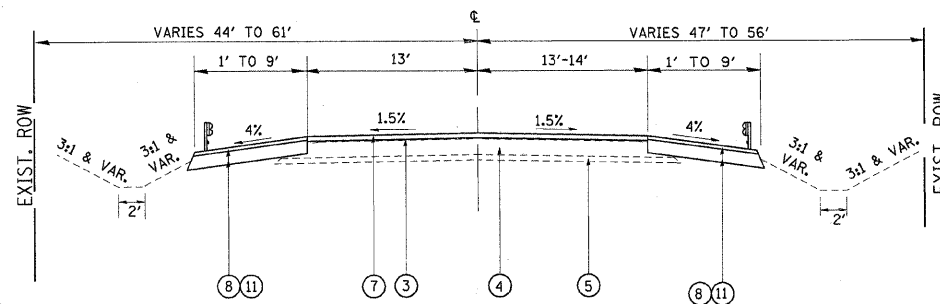


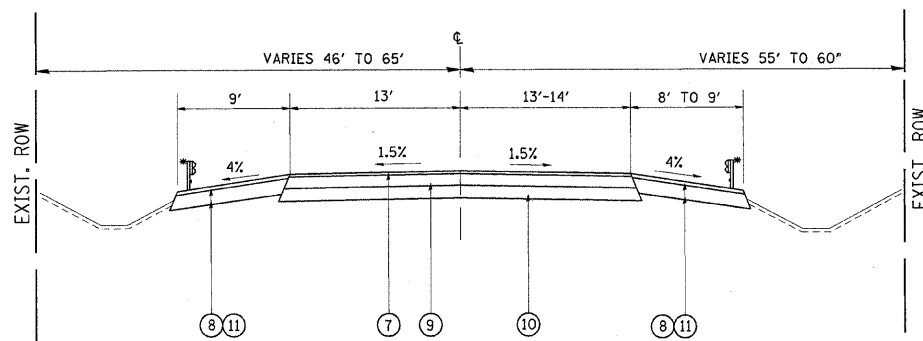
EXISTING TYPICAL SECTION
US 45

STATION
146+50 TO 149+70
149+43 TO 152+00



PROPOSED TYPICAL SECTION
US 45

STATION
146+50 TO 148+50
149+63 TO 152+00



PROPOSED TYPICAL SECTION
US 45

STATION
148+50 TO 148+90
149+23 TO 149+63

LEGEND

- ① EXIST. AGGREGATE SHOULDER, (6")
- ② EXIST. HMA CONCRETE SURFACE COURSE MIXTURE D (CLASS I) (1 1/2")
- ③ EXIST. HMA CONCRETE BINDER COURSE (CLASS I) (1 1/2")
- ④ EXIST. HMA BASE COURSE (9")
- ⑤ EXIST. SUB-BASE GRANULAR MATERIAL TYPE A (4")
- ⑥ PROP. HMA SURFACE REMOVAL, 2" (STA. 146+50-148+50 AND STA. 149+63-152+00)
- ⑦ PROP. HOT-MIX ASPHALT SURFACE COURSE, MIX "D", N70, 2"
- ⑧ PROP. HMA SHOULDER, 10"
- ⑨ PROP. HMA BINDER COURSE, IL - 19, N70, 11"
- ⑩ PROP. AGGREGATE SUBGRADE, 12"
- ⑪ PROP. HMA SURFACE COURSE, MIX "D", N50, 1 3/4"
- ⑫ PROP. AGGREGATE WEDGE SHOULDER, TYPE B

- * STA 147+76 TO STA 148+90(LT)
- * STA 149+23 TO STA 150+38(LT)
- * STA 147+76 TO STA 148+90(RT)
- * STA 149+23 TO STA 150+37(RT)

NOTES:

FOR EXISTING APPROACH PAVEMENT DETAIL, SEE DETAILS OF APPROACH PAVEMENT SHEET
FOR TEMPORARY PAVEMENT LOCATIONS, SEE PRE-STAGE CONSTRUCTION SHEET

FILE NAME = c:\projects\p135282\design.dgn	USER NAME = sm:thk1	DESIGNED -	REVISED -	STATE OF ILLINOIS DEPARTMENT OF TRANSPORTATION	EXISTING AND PROPOSED ROADWAY PLAN			F.A.P. RTE.	SECTION	COUNTY	TOTAL SHEETS	SHEET NO.	
	PLOT SCALE = 50,000 / IN.	DRAWN -	REVISED -		U.S. RTE. 45 OVER JACKSON CREEK - S.N. 099-4649			330	1048-3-BR	WILL	42	5	
	PLOT DATE = 10/30/2007	CHECKED -	REVISED -		SCALE: 1" = 50'			SHEET NO. OF SHEETS		STA.	TO STA.		FED. ROAD DIST. NO. 1 ILLINOIS FED. AID PROJECT
		DATE -	REVISED -									CONTRACT NO. 60B80	