
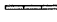
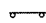





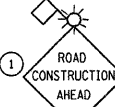
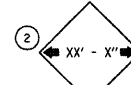

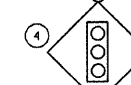
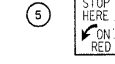
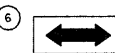
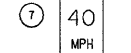


LEGEND

-  WORK AREA
-  TEMPORARY CONC. BARRIER
-  TYPE I OR II BARRICADES W/ STEADY BURN LIGHT 25' C-C
-  TYPE III BARRICADES (2) WITH HIGH INTENSITY FLASHING LIGHT ON EACH (TYP.)
-  SIGN ON PERMANENT OR PORTABLE SUPPORT
-  IMPACT ATTENUATOR
-  TEMPORARY RUMBLE STRIP
-  CRYSTAL, BIDIRECTIONAL BARRIER WALL / GUARDRAIL MARKER

-  1 ROAD CONSTRUCTION AHEAD W20-1101-48
-  2 XX' - X' W12-1102(01)-48
-  3 ONE LANE ROAD AHEAD W20-4101-48
-  4 W3-3101-48
-  5 STOP HERE ON RED R10-6A-2430
-  6 M6-1101-2115
-  7 40 MPH W13-1101-2424

NOTES:

- SIGNS, BARRICADES AND RUMBLE STRIPS SHALL BE PLACED IN ACCORDANCE TO TRAFFIC CONTROL STANDARD 701321
- SEE TEMPORARY TRAFFIC SIGNAL SHEETS FOR LOCATIONS OF TRAFFIC SIGNALS AND DETECTOR LOOPS

STAGE I WORK

- MAINTAIN TRAFFIC ON SOUTHBOUND LANES
- REMOVE STRUCTURE (NORTHBOUND)
- REMOVE PAVEMENT TO BE RECONSTRUCTED (NORTHBOUND)
- REMOVE EXISTING SHOULDER (NORTHBOUND)
- REMOVE EXISTING DRIVEWAY
- PLACE THREE SIDED STRUCTURE (NORTHBOUND)
- CONSTRUCT NEW PAVEMENT
- CONSTRUCT NEW DRIVEWAY
- CONSTRUCT NEW SHOULDER
- MOUNT NEW GUARDRAIL

FILE NAME = c:\projects\p135202\sh.stage1.dgn	USER NAME = smt4kl	DESIGNED -	REVISED -
		DRAWN -	REVISED -
		CHECKED -	REVISED -
		DATE -	REVISED -

**STATE OF ILLINOIS
DEPARTMENT OF TRANSPORTATION**

STAGE I			
U.S. RTE. 45 OVER JACKSON CREEK - S.N. 099-4649			
SCALE: 1"=50'	SHEET NO.	OF SHEETS	STA. TO STA.

F.A.P. RTE. 330	SECTION 104B-3-BR	COUNTY WILL	TOTAL SHEETS 42	SHEET NO. 10
CONTRACT NO. 60B80				
FED. ROAD DIST. NO. 1 ILLINOIS FED. AID PROJECT				