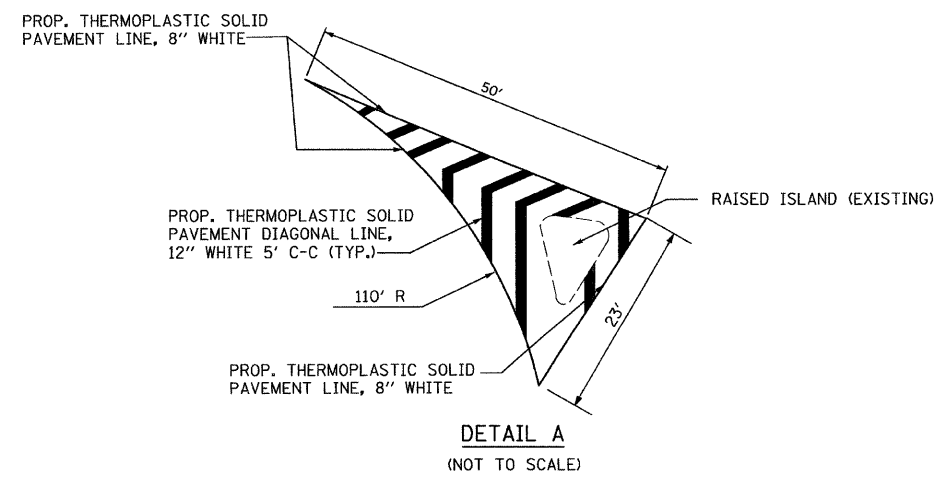
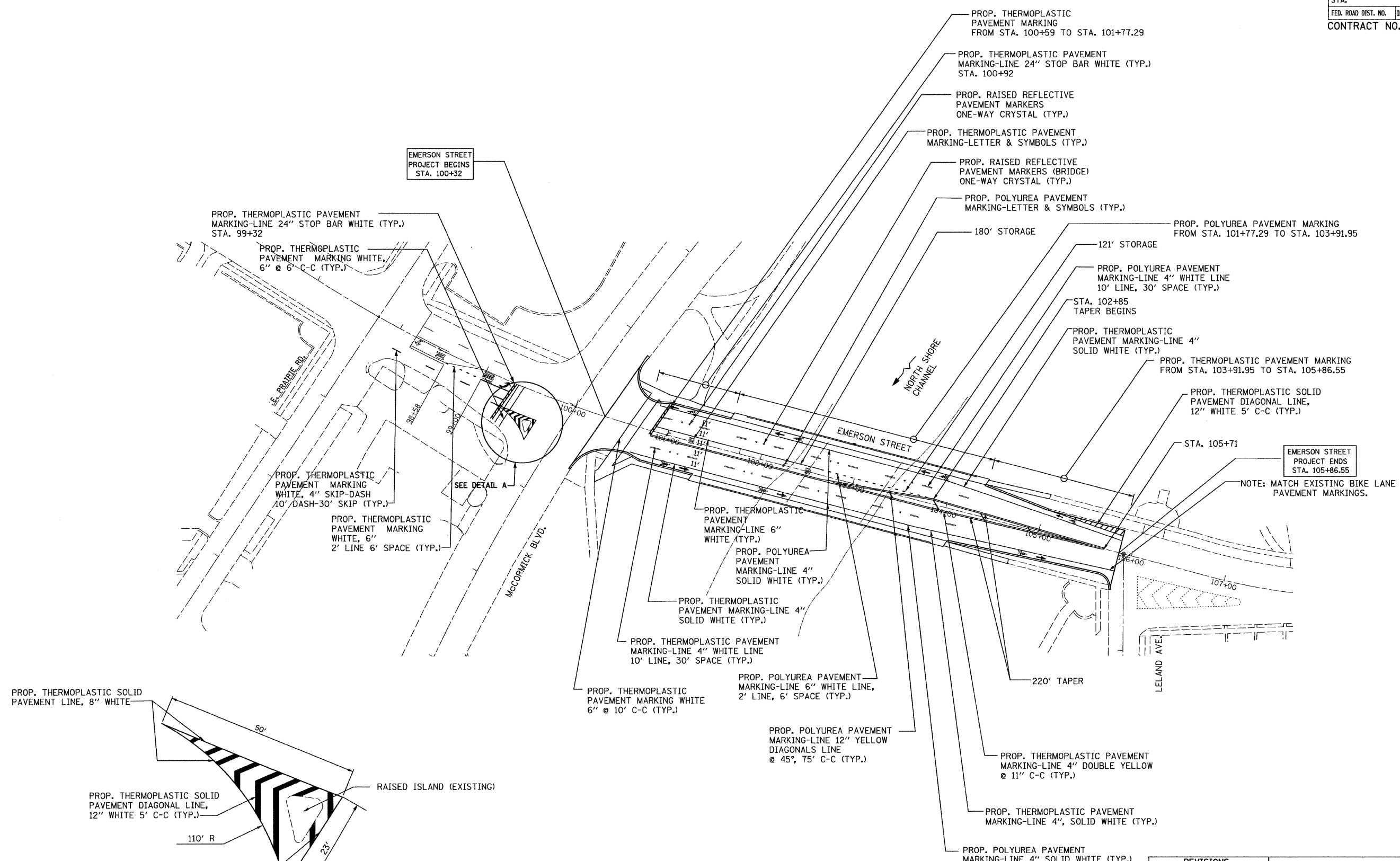


F.A.U. RTE.	SECTION	COUNTY	TOTAL SHEETS	SHEET NO.
1312	0707-B	COOK	80	16
STA.		TO STA.		
FED. ROAD DIST. NO.		ILLINOIS	FED. AID PROJECT	
CONTRACT NO. 60B98				



REVISIONS	
NAME	DATE

ILLINOIS DEPARTMENT OF TRANSPORTATION  
 F.A.U. ROUTE 1312 (EMERSON STREET)

EMERSON STREET  
 PAVEMENT MARKING PLAN

SCALE: HORIZ. 1" = 50'  
 DATE: OCT. 17, 2007

DRAWN BY JSS  
 CHECKED BY JP

M:\Emerson Street\Proposed Plans\IG\_Pavement Mkg\_Rev.dgn  
 11/17/07  
 4:37:37 PM