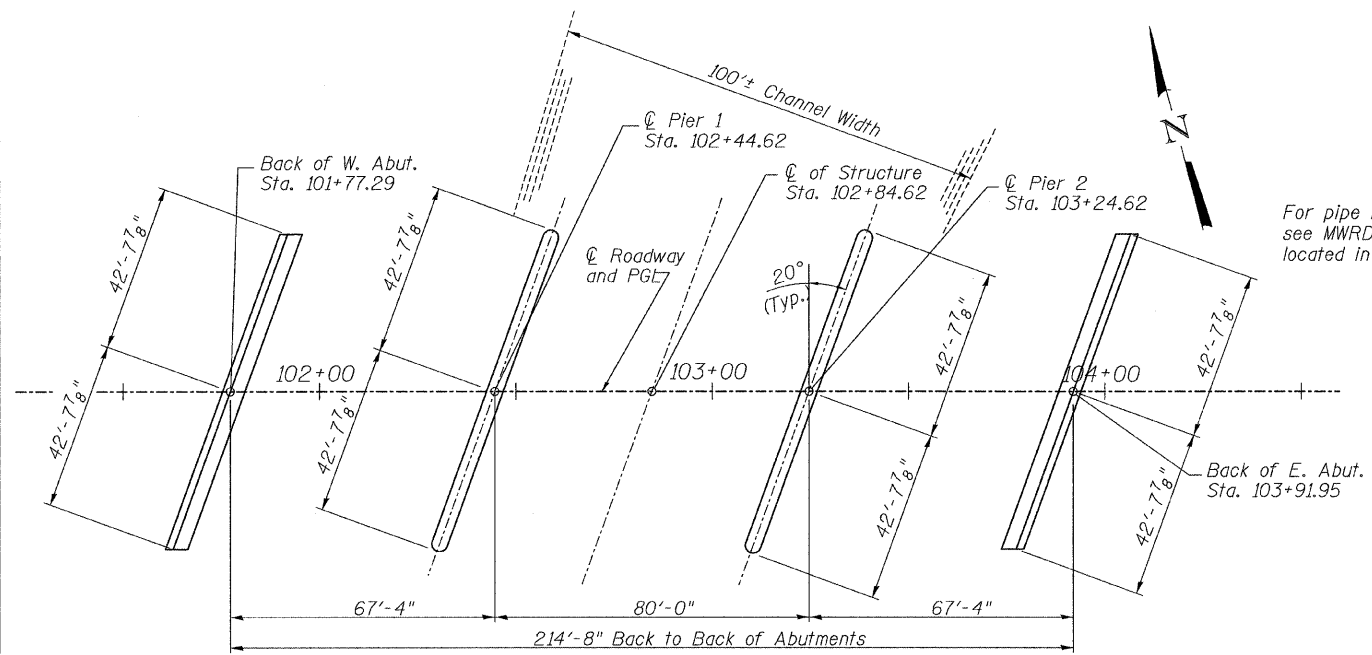
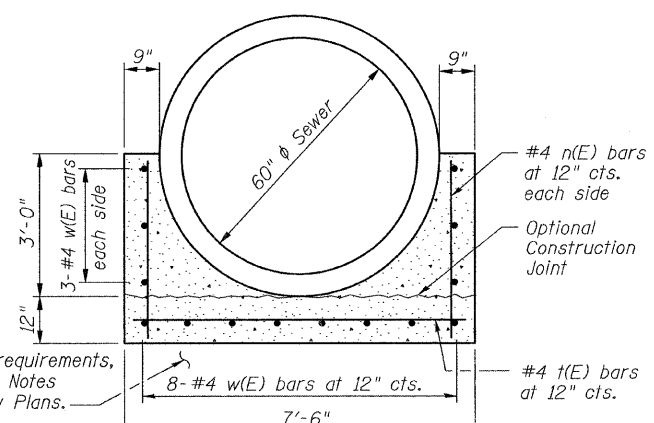
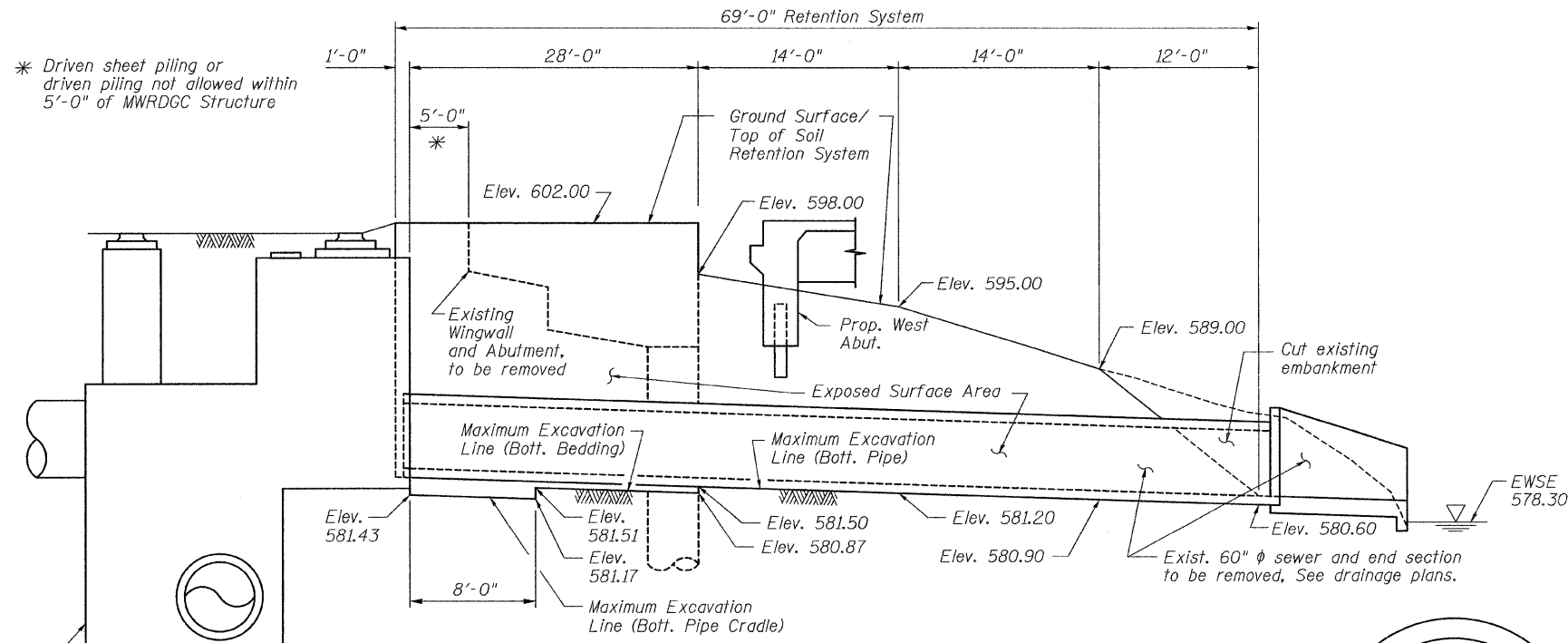


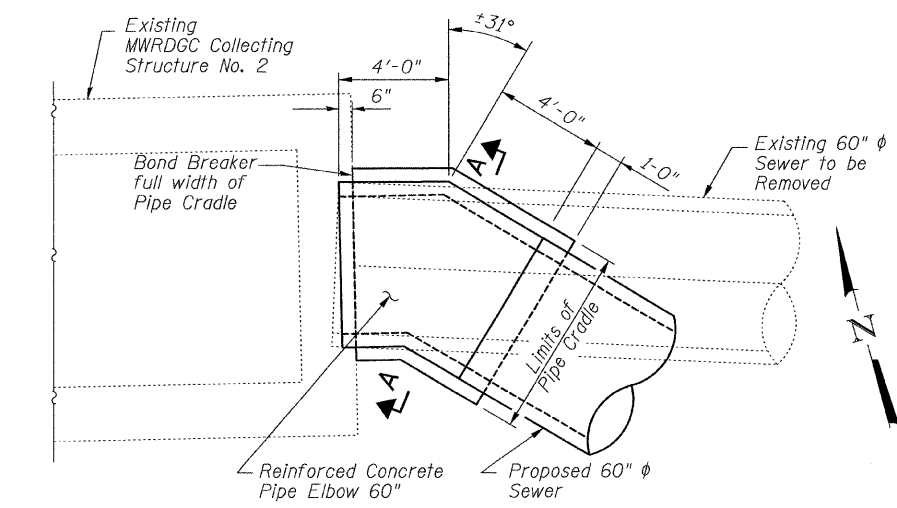
STATE OF ILLINOIS
DEPARTMENT OF TRANSPORTATION

ROUTE NO.	SECTION	COUNTY	TOTAL SHEETS	SHEET NO.	SHEET NO. 3 32 SHEETS
FAU 1312	0707-B	Cook	80	37	
FED. ROAD DIST. NO.	ILLINOIS	FED. AID PROJECT-			

Contract # 60B98



SECTION A-A SHOWING PIPE CRADLE
(Bend and cut reinforcement in field as required)



Sewer Relocation Notes:

A cantilevered sheet piling design does not appear feasible and additional members or other retention systems may be necessary. The Contractor shall submit a temporary soil retention system design including plan details and calculations for review and acceptance by the Engineer.

Use the temporary earth retention system is mandatory. Open cut will not be allowed on the north side of the existing 60" sewer.

Portions of the existing abutment and wingwall shall be removed as required for proper installation of Temporary Soil Retention System. Work is included in Removal of Existing Structures. Installation of the Temporary Soil Retention System is mandatory.

See Drainage Plans for additional details.

The Metropolitan Water Reclamation District of Greater Chicago (MWRDGC) shall have 24 hour a day access for heavy equipment to their facilities. Flow from the outfall structures shall not be blocked and shall be maintained at all times. See Special Provisions.

The Contractor shall exercise care when removing the existing 60 inch outfall pipe from the MWRDGC structure. The existing 60 inch pipe is lined and removal of the liner is included in the drainage items.

Any concrete removal required from the opening of the MWRDGC structure for installation of the new 60 inch pipe shall be approved by the Engineer. Space between the new 60 inch pipe and the opening shall be filled with nonshrink grout, inside and out. Concrete removal and grout are included in the drainage items.

All work for removing the existing pipes and installing the new pipes is included in the drainage items. All work shall be as approved by the Engineer in the field.

Reinforced Concrete Pipe Elbow 60" shall be in accordance with Article 542.08 of the Standard Specifications. Contractor is responsible for the design and detailing of Reinforced Concrete Pipe Elbow 60". Contractor to Submit design to the Engineer for approval.

BILL OF MATERIAL

Bar	No.	Size	Length	Shape	
n(E)	16	#4	3'-9"	—	
t(E)	9	#4	7'-3"	—	
w(E)	14	#4	8'-8"	└┘	
** Reinforcement Bars, Epoxy Coated				Lbs.	170
** Concrete Structures				Cu. Yd.	4.2
** Temporary Soil Retention System				Sq. ft.	1002

** Roadway Quantity

TEMPORARY SOIL RETENTION SYSTEM, SEWER DETAILS & FOOTING LAYOUT

EMERSON STREET OVER
NORTH SHORE CHANNEL
(PUBLIC BODY OF WATER)
F.A.U. ROUTE 1312 SECTION 0707-B
COOK COUNTY STA. 102+84.62
STRUCTURE NUMBER 016-2858

DESIGNED	JJI
CHECKED	SRT
DRAWN	JSS
CHECKED	SRT

Bollinger, Lach & Associates, Inc.