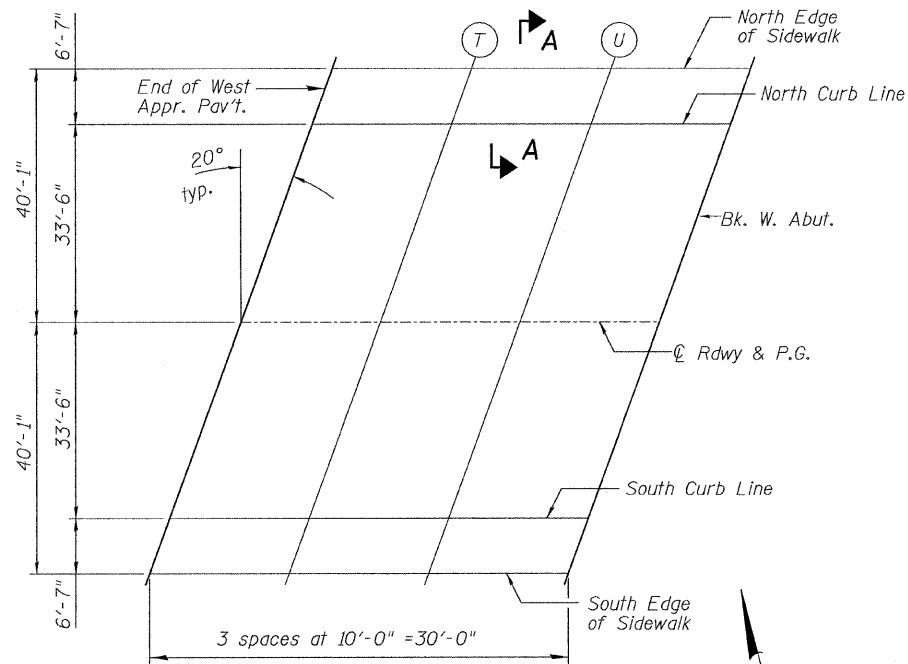


STATE OF ILLINOIS
DEPARTMENT OF TRANSPORTATION



NORTH EDGE OF SIDEWALK

Location	Station	Offset	Theoretical Grade Elevations
End W. Appr. Pavt.	101+61.88	-40.08	601.67
T	101+71.88	-40.08	601.83
U	101+81.88	-40.08	601.97
Bk. of W. Abut.	101+91.88	-40.08	602.11

NORTH CURB LINE

Location	Station	Offset	Theoretical Grade Elevations
End W. Appr. Pavt.	101+59.48	-33.50	601.41
T	101+69.48	-33.50	601.57
U	101+79.48	-33.50	601.72
Bk. of W. Abut.	101+89.48	-33.50	601.86

RDWAY & P.G.

Location	Station	Offset	Theoretical Grade Elevations
End W. Appr. Pavt.	101+47.29	0.00	601.86
T	101+57.29	0.00	602.04
U	101+67.29	0.00	602.21
Bk. of W. Abut.	101+77.29	0.00	602.36

SOUTH CURB LINE

Location	Station	Offset	Theoretical Grade Elevations
End W. Appr. Pavt.	101+35.10	33.50	600.96
T	101+45.10	33.50	601.15
U	101+55.10	33.50	601.33
Bk. of W. Abut.	101+65.10	33.50	601.50

SOUTH EDGE OF SIDEWALK

Location	Station	Offset	Theoretical Grade Elevations
End W. Appr. Pavt.	101+32.70	40.08	601.13
T	101+42.70	40.08	601.33
U	101+52.70	40.08	601.51
Bk. of W. Abut.	101+62.70	40.08	601.68

WEST APPROACH

NORTH EDGE OF SIDEWALK

Location	Station	Offset	Theoretical Grade Elevations
Bk. E. Abut.	104+06.54	-40.08	601.97
V	104+16.54	-40.08	601.82
W	104+26.54	-40.08	601.66
End E. Appr. Pavt.	104+36.54	-40.08	601.49

NORTH CURB LINE

Location	Station	Offset	Theoretical Grade Elevations
Bk. E. Abut.	104+04.14	-33.50	601.78
V	104+14.14	-33.50	601.64
W	104+24.14	-33.50	601.48
End E. Appr. Pavt.	104+34.14	-33.50	601.31

RDWAY & P.G.

Location	Station	Offset	Theoretical Grade Elevations
Bk. E. Abut.	103+91.95	0.00	602.61
V	104+01.95	0.00	602.48
W	104+11.95	0.00	602.34
End E. Appr. Pavt.	104+21.95	0.00	602.19

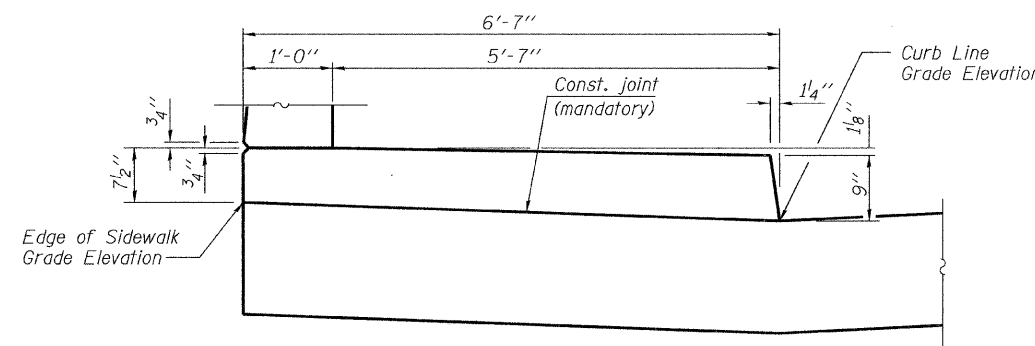
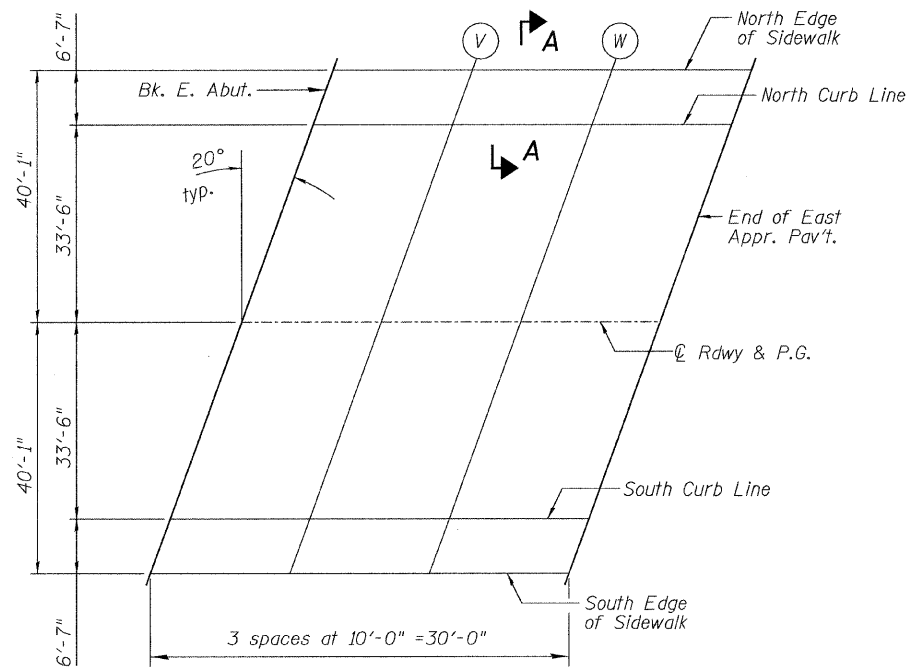
SOUTH CURB LINE

Location	Station	Offset	Theoretical Grade Elevations
Bk. E. Abut.	103+79.76	33.50	602.08
V	103+89.76	33.50	601.97
W	103+99.76	33.50	601.84
End E. Appr. Pavt.	104+09.76	33.50	601.70

SOUTH EDGE OF SIDEWALK

Location	Station	Offset	Theoretical Grade Elevations
Bk. E. Abut.	103+77.36	40.08	602.32
V	103+87.36	40.08	602.21
W	103+97.36	40.08	602.09
End E. Appr. Pavt.	104+07.36	40.08	601.96

EAST APPROACH



DESIGNED	SRT
CHECKED	JJI
DRAWN	JSS
CHECKED	JJI

BRIDGE APPROACH
TOP OF SLAB ELEVATIONS

EMERSON STREET OVER
NORTH SHORE CHANNEL
(PUBLIC BODY OF WATER)
F.A.U. ROUTE 1312 SECTION 0707-B
COOK COUNTY STA. 102+84.62
STRUCTURE NUMBER 016-2858