

STATE OF ILLINOIS
DEPARTMENT OF TRANSPORTATION

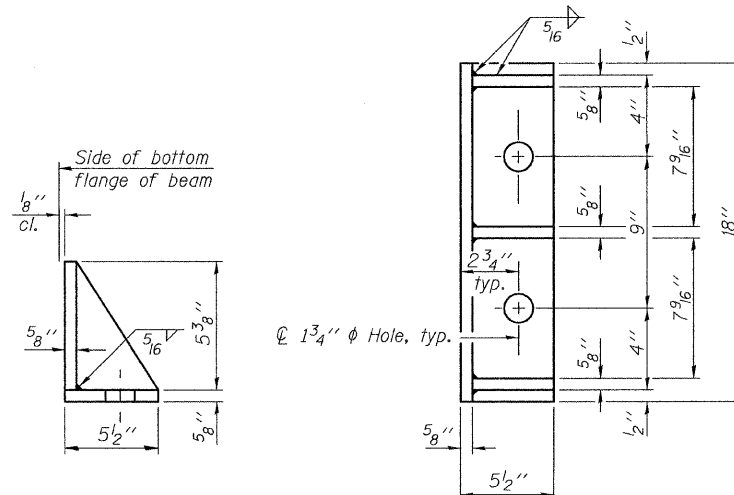
ROUTE NO.	SECTION	COUNTY	SHEET NO.	SHEET
FAU 1312	0707-B	Cook	80	48
FED. ROAD DIST. NO.	ILLINOIS	FED. AID PROJECT-		

SHEET NO. 14
32 SHEETS

Contract # 60B98

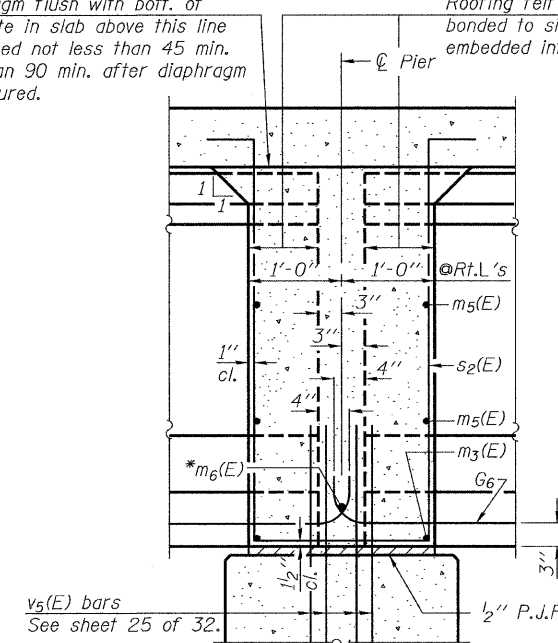
Pour diaphragm flush with bott. of slab. Concrete in slab above this line shall be placed not less than 45 min. nor more than 90 min. after diaphragm has been poured.

Roofing felt shall be bonded to side of beam embedded into diaphragm.



SIDE RETAINER

Equivalent rolled angle with stiffeners will be allowed in lieu of welded plates.

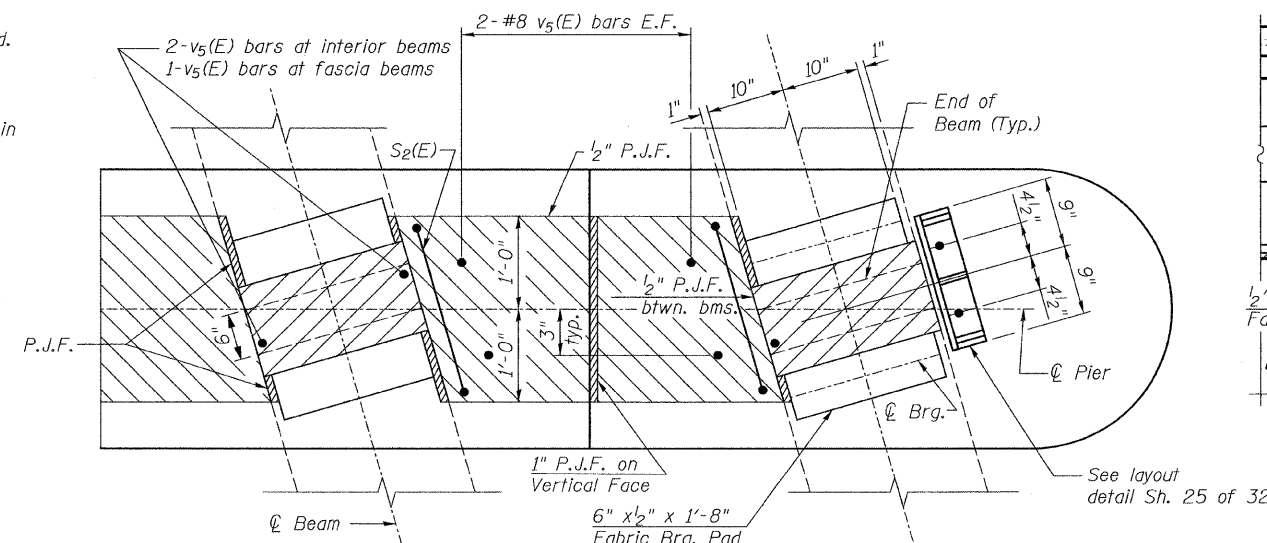


SECTION B-B

Dimensions along centerline of beam, except as shown.

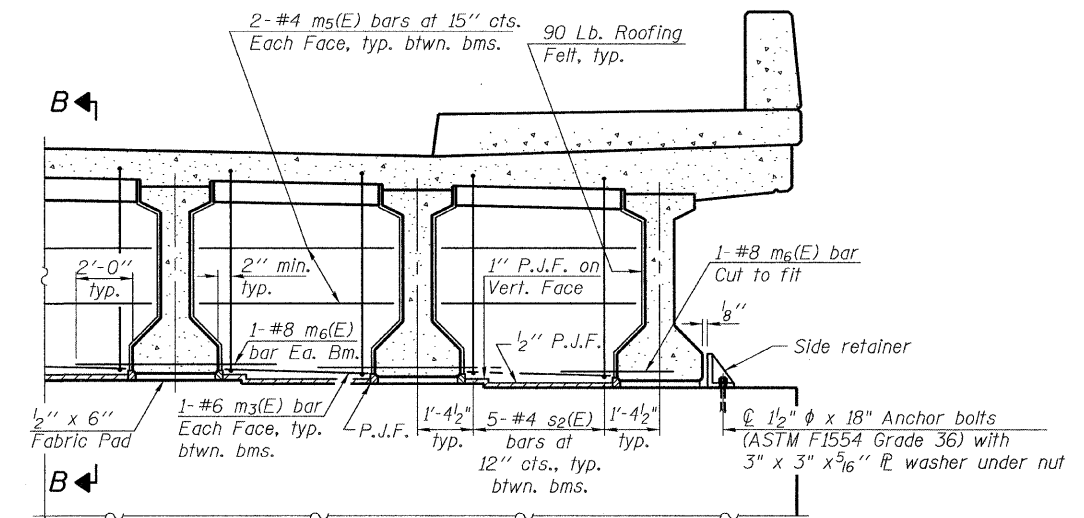
* Tightly fasten the #8 bars together with No. 9 wire ties.

- Notes:**
- Reinforcement bars in diaphragm are billed with superstructure on sheet 15 of 32.
 - Concrete in diaphragm is included with Concrete Superstructure on sheet 15 of 32.
 - For details of bar s₂(E) see sheet 15 of 32.
 - See sheet 25 of 32 for anchor bolt location.
 - The s₂(E) bars shall be placed parallel to the beams.
 - Spacing for these bars shall be at right angles to the beams.
 - Cost of 90 Lb. roofing felt is included with Concrete Superstructure.
 - The side retainer shall be galvanized after shop fabrication according to AASHTO M 111. Anchor bolts, plate washers and nuts shall be galvanized according to AASHTO M 232. Cost of side retainer and anchor bolts shall be included with Concrete Structures.
 - Anchor bolts shall be ASTM F1554 all-thread (or an Engineer-approved alternate material) of the grade(s) and diameter(s) specified. ASTM A307 Grade C anchor bolts may be used in lieu of ASTM F1554 Grade 36 (F_y=36ksi). The corresponding specified grade of AASHTO M314 anchor bolts may be used in lieu of ASTM F1554.
 - Anchor bolts for side retainers may be cast in place or installed in holes drilled before or after members are in place.
 - Drilled and set anchor bolts shall be installed according to Article 521.06 of the Standard Specifications.
 - See sheet 10 of 32 for location of Section B-B.



PLAN AT PIER

(Showing bearing pad and P.J.F. details)
See Sheets 23 & 24 of 32 for reinforcing details



DIAPHRAGM AT PIER

PIER DIAPHRAGM & DETAILS

EMERSON STREET OVER
NORTH SHORE CHANNEL
(PUBLIC BODY OF WATER)
F.A.U. ROUTE 1312 SECTION 0707-B
COOK COUNTY STA. 102+84.62
STRUCTURE NUMBER 016-2858

DESIGNED	SRT
CHECKED	JJI
DRAWN	JSS
CHECKED	JJI

Bollinger, Lach & Associates, Inc.

PI-2DI 11-1-06