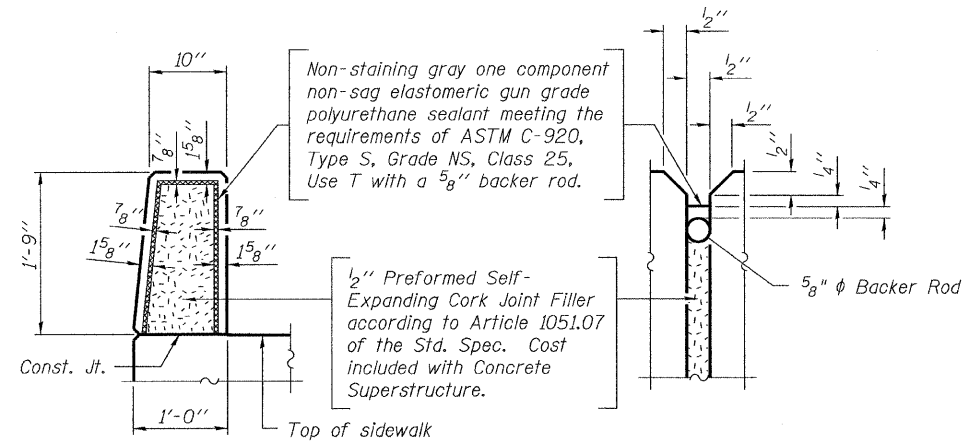


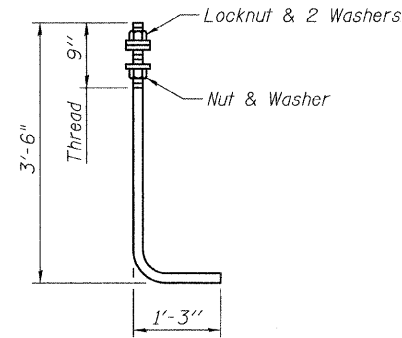
STATE OF ILLINOIS  
DEPARTMENT OF TRANSPORTATION

ROUTE NO.	SECTION	COUNTY	TOTAL SHEETS	SHEET NO.	SHEET NO. 15 32 SHEETS
FAU 1312	0707-B	COOK	80	49	
FED. ROAD DIST. NO.		ILLINOIS	FED. AID PROJECT		

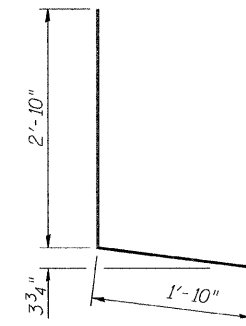
Contract # 60B98



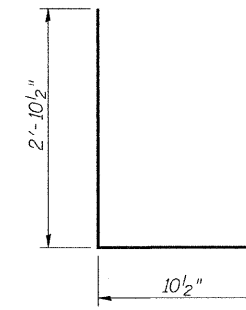
PARAPET JOINT DETAILS



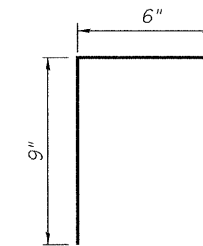
3/4"  $\phi$  ANCHOR ROD  
(ASTM F 1554 Grade 105)



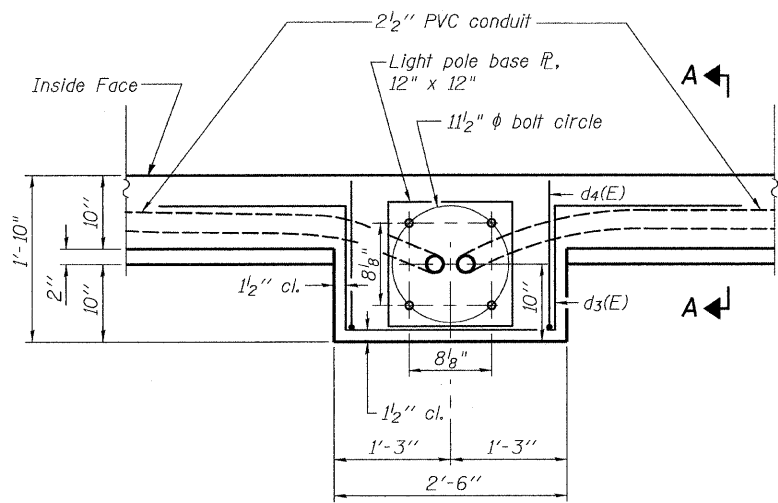
BAR d(E)



BAR d<sub>1</sub>(E)

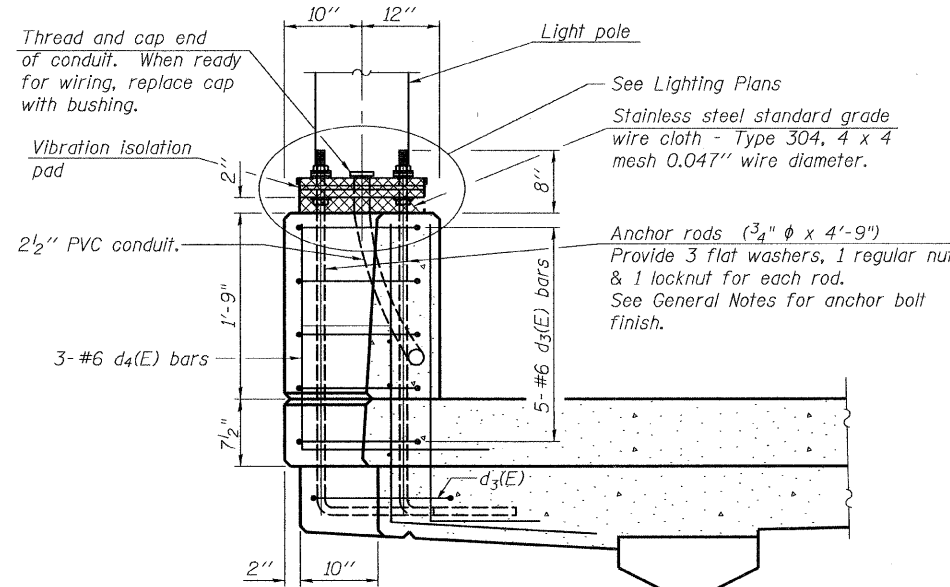


BAR d<sub>2</sub>(E)

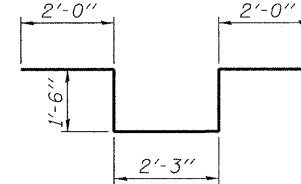


PLAN AT LIGHT POLE

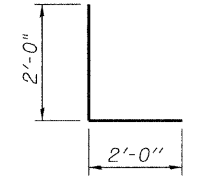
Note:  
Cost of anchor rods and conduit is included with Concrete Superstructure.



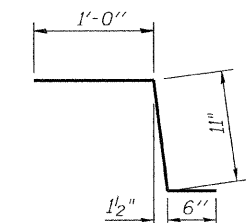
SECTION A-A



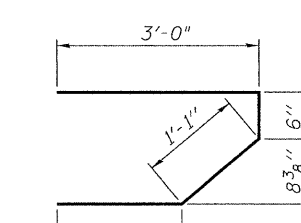
BAR d<sub>3</sub>(E)



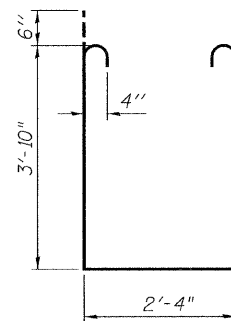
BAR d<sub>4</sub>(E)



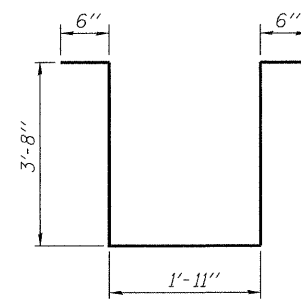
BAR c(E)



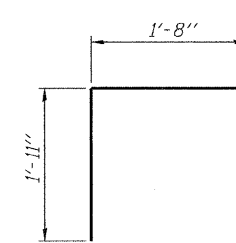
BAR s(E)



BAR s<sub>1</sub>(E)



BAR s<sub>2</sub>(E)



BAR v(E)

SUPERSTRUCTURE  
BILL OF MATERIAL

Bar	No.	Size	Length	Shape
a(E)	796	#5	40'-9"	—
a <sub>1</sub> (E)	777	#5	27'-9"	—
a <sub>2</sub> (E)	8	#5	43'-4"	—
b(E)	693	#5	32'-2"	—
b <sub>1</sub> (E)	320	#6	45'-0"	—
b <sub>2</sub> (E)	752	#5	28'-4"	—
c(E)	432	#5	2'-5"	—
c <sub>1</sub> (E)	434	#5	6'-3"	—
c <sub>2</sub> (E)	4	#5	6'-9"	—
d(E)	432	#4	4'-8"	—
d <sub>1</sub> (E)	432	#6	3'-9"	—
d <sub>2</sub> (E)	88	#4	2'-0"	—
d <sub>3</sub> (E)	18	#6	9'-3"	—
d <sub>4</sub> (E)	9	#6	4'-0"	—
e(E)	48	#4	9'-9"	—
e <sub>1</sub> (E)	24	#4	18'-11"	—
e <sub>2</sub> (E)	48	#4	18'-10"	—
e <sub>3</sub> (E)	36	#4	19'-9"	—
m(E)	20	#6	44'-1"	—
m <sub>2</sub> (E)	48	#6	11'-0"	—
m <sub>3</sub> (E)	66	#6	4'-10"	—
m <sub>4</sub> (E)	4	#6	4'-0"	—
m <sub>5</sub> (E)	88	#4	4'-10"	—
m <sub>6</sub> (E)	24	#8	5'-0"	—
s(E)	144	#5	6'-9"	—
s <sub>1</sub> (E)	122	#4	11'-0"	—
s <sub>2</sub> (E)	110	#4	10'-3"	—
v(E)	162	#5	3'-4"	—
Reinforcement Bars, Epoxy Coated		Lbs.	140,160	
Concrete Superstructure		Cu. Yds.	641.8	

SUPER. BAR LIST, PARAPET JT. DETAILS, LIGHT POLE DETAILS

EMERSON STREET OVER  
NORTH SHORE CHANNEL  
(PUBLIC BODY OF WATER)  
F.A.U. ROUTE 1312 SECTION 0707-B  
COOK COUNTY STA. 102+84.62  
STRUCTURE NUMBER 016-2858

DESIGNED	SRT
CHECKED	JJI
DRAWN	JSS
CHECKED	JJI

**B** Bollinger, Lach & Associates, Inc.