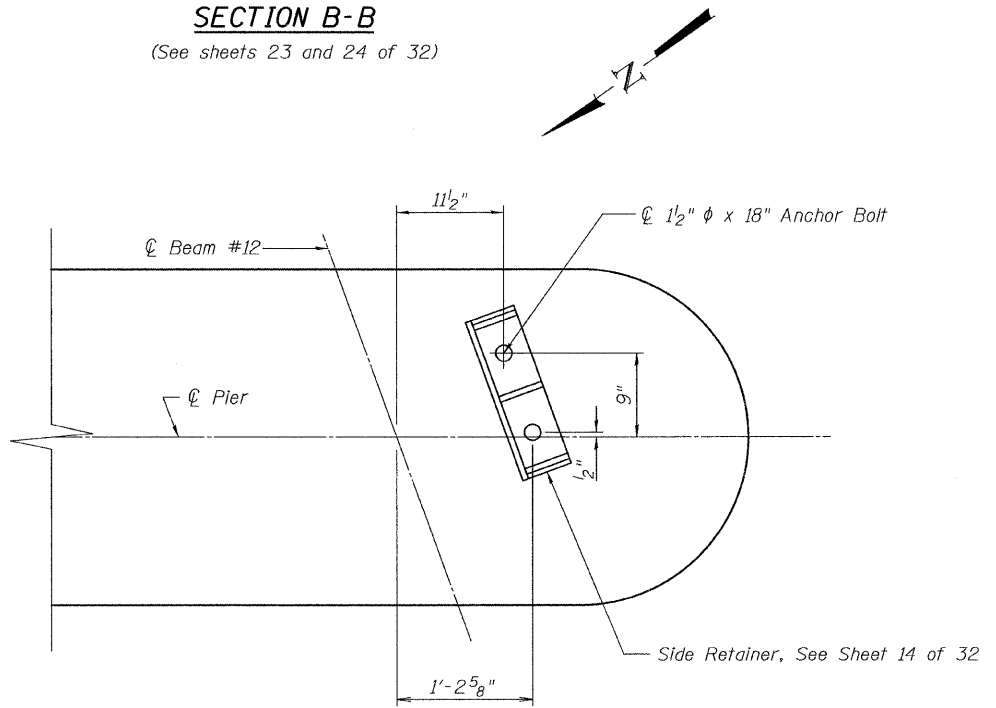
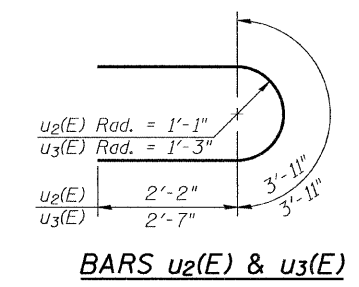
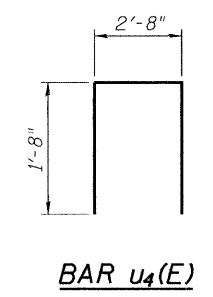
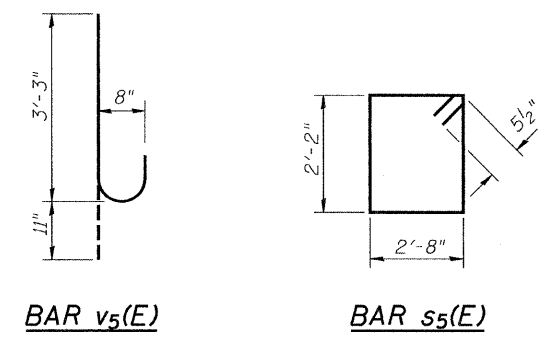


SECTION B-B
(See sheets 23 and 24 of 32)



ANCHOR BOLT LAYOUT
Beam 1 similar



BILL OF MATERIAL PIER #1

Bar	No.	Size	Length	Shape
h ₁ (E)	108	#5	42'-5"	—
p ₃ (E)	20	#7	43'-1"	—
p ₄ (E)	3	#7	42'-10"	—
s ₅ (E)	110	#5	10'-7"	□
u ₂ (E)	54	#5	7'-9"	U
u ₃ (E)	6	#6	9'-1"	U
u ₄ (E)	44	#4	6'-0"	U
v ₄ (E)	172	#5	27'-9"	—
v ₅ (E)	66	#8	4'-2"	U
Cofferdam (Pier 1)	Each	1		
Cofferdam Excavation	Cu. Yd.	267		
Concrete Structures	Cu. Yd.	233.2		
Reinforcement Bars, Epoxy Coated	Pound	14,430		
Furnishing-Steel Piles, HP 14x89	Foot	1728		
Driving Piles	Foot	1728		
Test Pile, HP 14x89	Each	1		
Piles Shoes	Each	19		
Concrete Encasement	Cu. Yd.	10.6		
Controlled Low Strength Material	Cu. Yd.	32.1		

BILL OF MATERIAL PIER #2

Bar	No.	Size	Length	Shape
h ₁ (E)	108	#5	42'-5"	—
p ₃ (E)	20	#7	43'-1"	—
p ₄ (E)	3	#7	42'-10"	—
s ₅ (E)	110	#5	10'-7"	□
u ₂ (E)	54	#5	7'-9"	U
u ₃ (E)	6	#6	9'-1"	U
u ₄ (E)	44	#4	6'-0"	U
v ₄ (E)	172	#5	27'-9"	—
v ₅ (E)	66	#8	4'-2"	U
Cofferdam (Pier 2)	Each	1		
Cofferdam Excavation	Cu. Yd.	177		
Concrete Structures	Cu. Yd.	234.4		
Reinforcement Bars, Epoxy Coated	Pound	14,430		
Furnishing-Steel Piles, HP 14x89	Foot	1728		
Driving Piles	Foot	1728		
Test Pile, HP 14x89	Each	1		
Piles Shoes	Each	19		
Concrete Encasement	Cu. Yd.	10.6		
Controlled Low Strength Material	Cu. Yd.	33.6		

PIER DETAILS & BAR LISTS

EMERSON STREET OVER
NORTH SHORE CHANNEL
(PUBLIC BODY OF WATER)
F.A.U. ROUTE 1312 SECTION 0707-B
COOK COUNTY STA. 102+84.62
STRUCTURE NUMBER 016-2858

DESIGNED	JJI
CHECKED	SRT
DRAWN	JSS
CHECKED	SRT
PC-1	

B Bollinger, Lach & Associates, Inc.

11-1-06