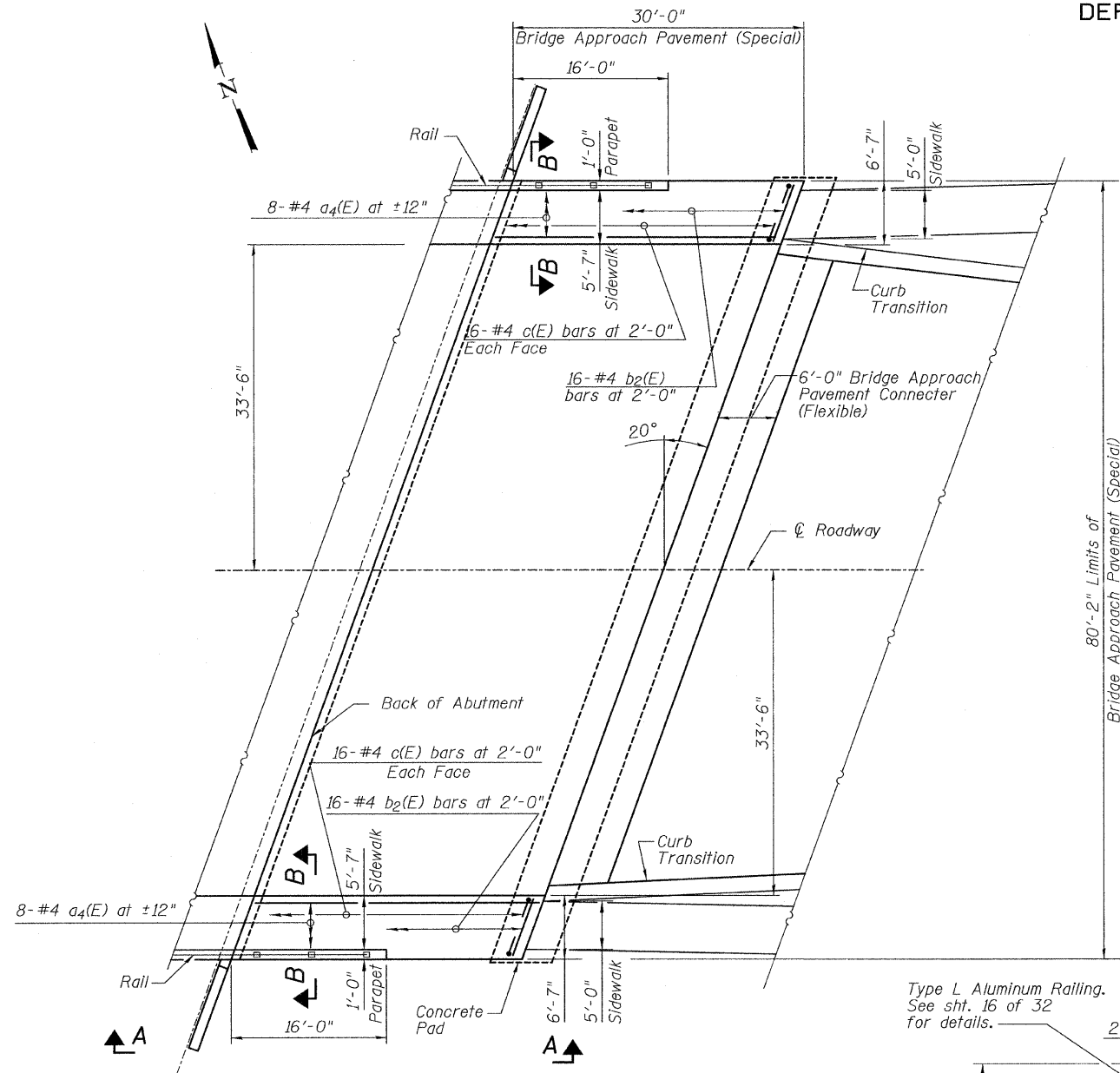


STATE OF ILLINOIS  
DEPARTMENT OF TRANSPORTATION

ROUTE NO.	SECTION	COUNTY	TOTAL SHEETS	SHEET NO.
FAU 1312	0707-B	Cook	80	66
FED. ROAD DIST. NO.		ILLINOIS	FED. AID PROJECT-	

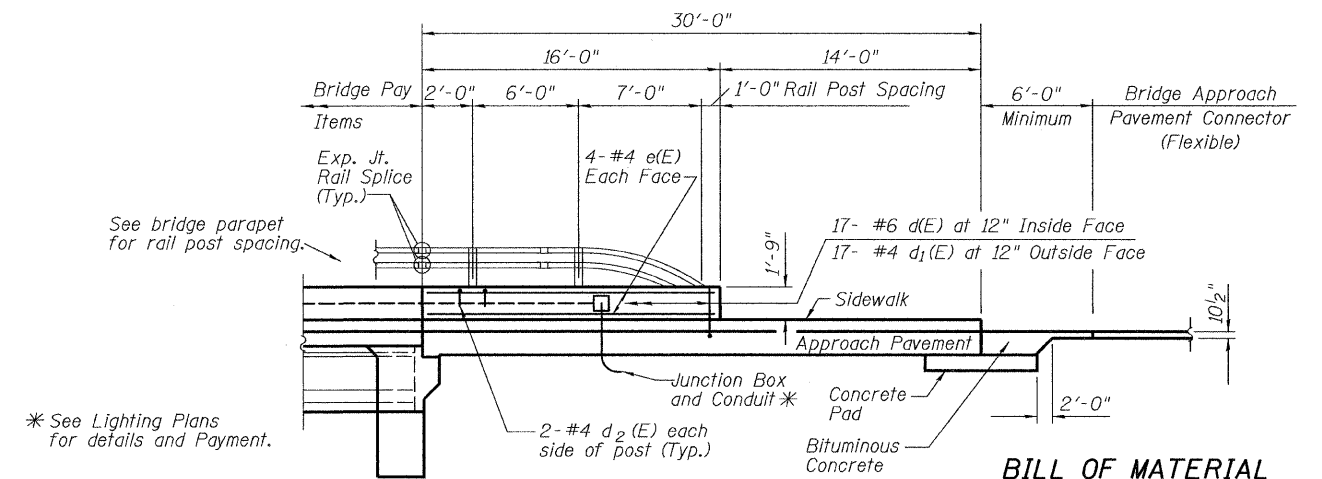
SHEET NO. 32  
32 SHEETS

Contract # 60B98



**BRIDGE APPROACH PAVEMENT PLAN**  
(East Approach Shown, West Similar by 180° Rotation)

DESIGNED	JJI
CHECKED	SRT
DRAWN	JSS
CHECKED	SRT



**SECTION A-A**

\* See Lighting Plans for details and Payment.

**BILL OF MATERIAL**  
(Total for both approaches)

Bar	No.	Size	Length	Shape
a4(E)	32	#4	29'-8"	—
b2(E)	64	#4	6'-8"	—
c(E)	128	#4	2'-2"	┌
d(E)	68	#6	4'-2"	┌
d1(E)	68	#4	3'-10"	┌
d2(E)	24	#4	2'-0"	┌
e(E)	24	#4	15'-8"	—
Reinforcement Bars, Epoxy Coated			Lbs.	1990
Concrete Superstructure			Cu. Yd.	23.9
Protective Coat			Sq. Yd.	564
Bridge Approach Pavement (Special)			Sq. Yd.	535
Bridge Approach Pavement Connector (Flexible)			Sq. Yd.	87
Aluminum Railing, Type L			Foot	60

All Reinforcement bars shall be epoxy coated.

See Standard 420401 for additional Bridge Approach Pavement Reinforcement and details.

Quantity for Reinforcement Bars, Epoxy Coated and Concrete Superstructure are for Sidewalk and Parapet only.

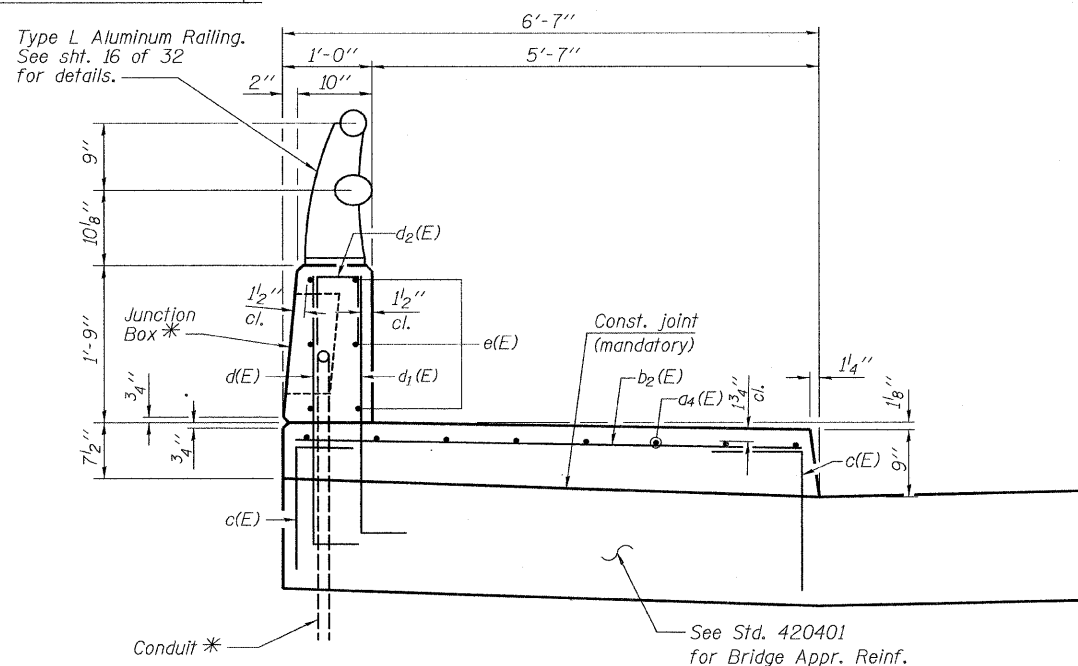
For top of approach pavement elevations, see sheet 9 of 32.

\*\* Approach pavement, sidewalk and parapet

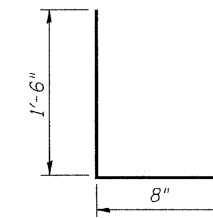
Concrete for sidewalk & parapet is included in pay item "Concrete Superstructure". All items are included with roadway quantities.

**APPROACH PAVEMENT DETAILS**

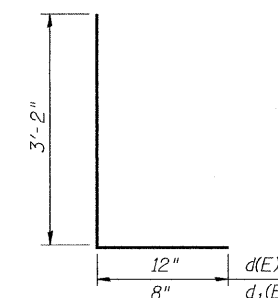
EMERSON STREET OVER  
NORTH SHORE CHANNEL  
(PUBLIC BODY OF WATER)  
F.A.U. ROUTE 1312 SECTION 0707-B  
COOK COUNTY STA. 102+84.62  
STRUCTURE NUMBER 016-2858



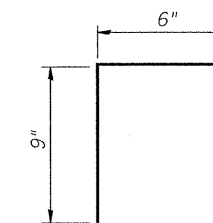
**SECTION B-B**



**BAR c(E)**



**BAR d(E) & d1(E)**



**BAR d2(E)**