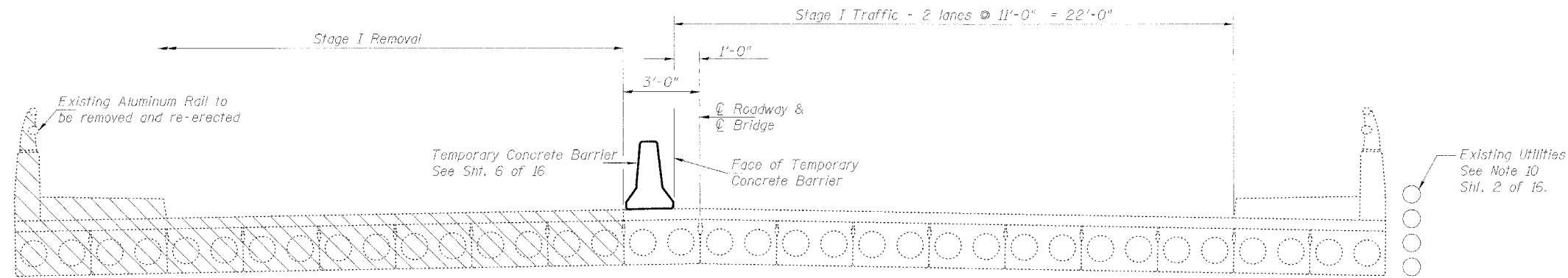


STATE OF ILLINOIS

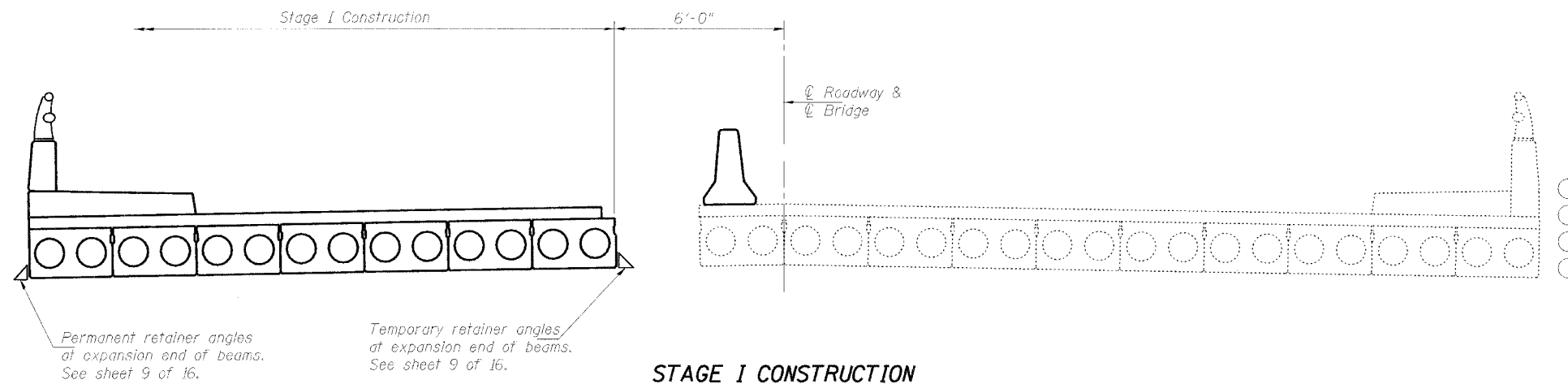
ROUTE NO.	SECTION	COUNTY	TOTAL SHEETS	SHEET NO.	SHEET NO. 3 16 SHEETS
3887	AR-B	KANE	43	19	
FED. ROAD DIST. NO. 7	ILLINOIS	FED. AID PROJECT			

Contract #60C23

Notes:
 All staging cross sections are looking south.
 For quantity of Temporary Concrete Barrier see roadway plans.
 Hatched area indicates Removal of Existing Superstructures.



STAGE I REMOVAL



STAGE I CONSTRUCTION

DESIGNED	LLV
CHECKED	DDB
DRAWN	MGM
CHECKED	LLV

STAGE I CONSTRUCTION
F.A.U. 3887 (IL 31)
OVER MILL CREEK
SECTION AR-B
KANE COUNTY STA. 187+31.80
STRUCTURE NO. 045-0020

STS CONSULTANTS
 111 NE Jefferson Ave.
 Peoria, Illinois 61602
 Ph(309)676-8464
 FAX(309)676-5445
 IL Design Firm Reg. No. 184-001518