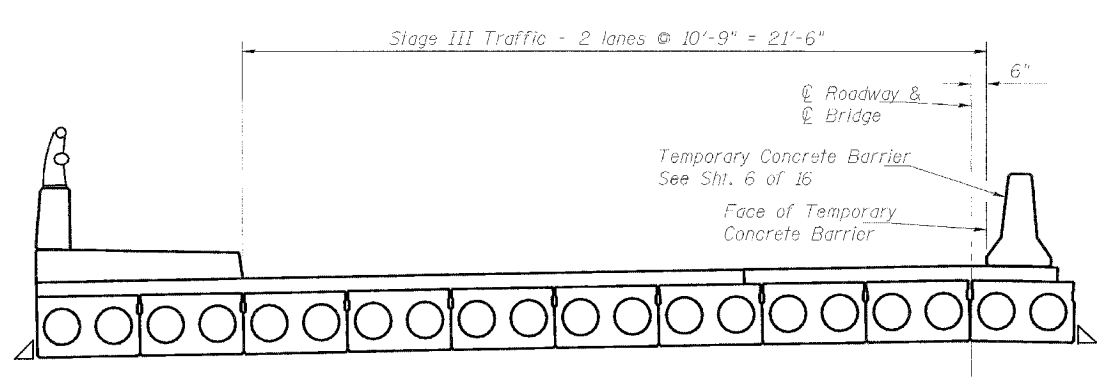


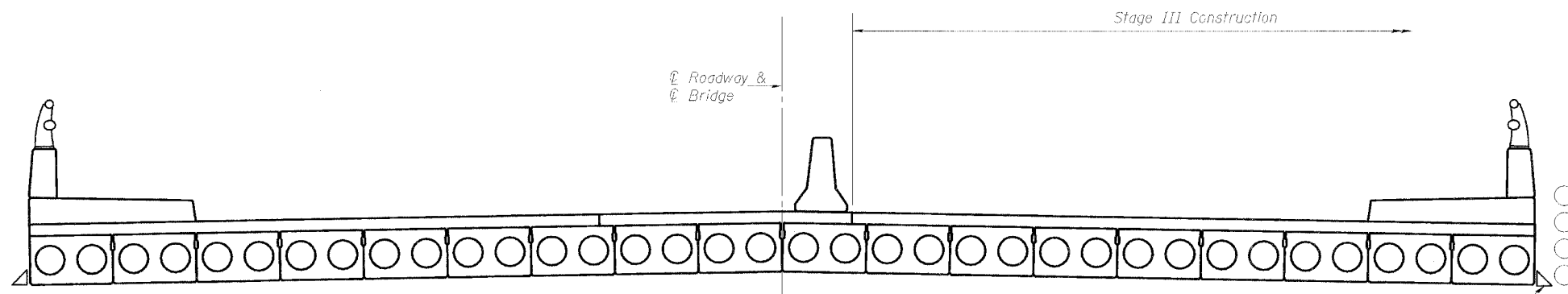
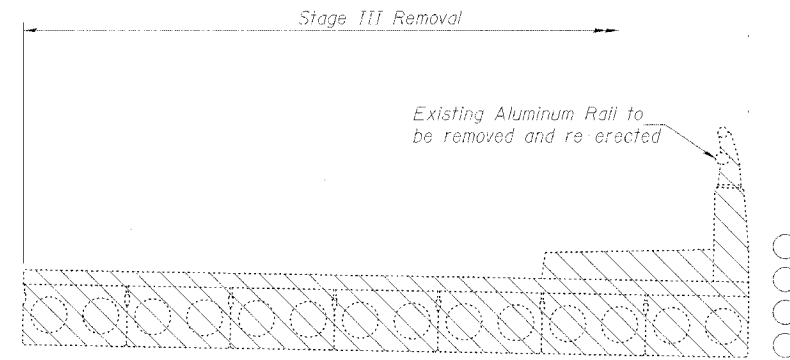
STATE OF ILLINOIS  
DEPARTMENT OF TRANSPORTATION

ROUTE NO.	SECTION	COUNTY	TOTAL SHEETS	SHEET NO.	SHEET NO. 5 16 SHEETS
3887	AR-B	KANE	43	21	
FED. ROAD DIST. NO. 7		ILLINOIS	FED. AID PROJECT		

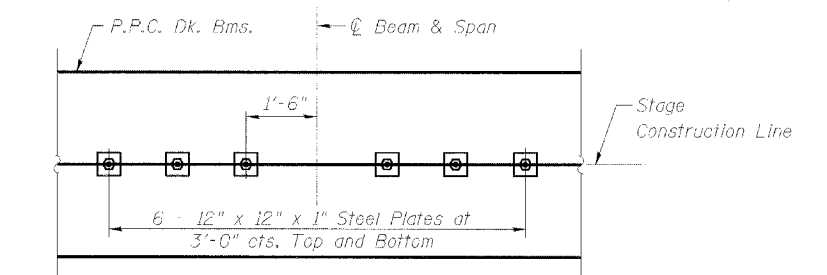
Contract #60C23



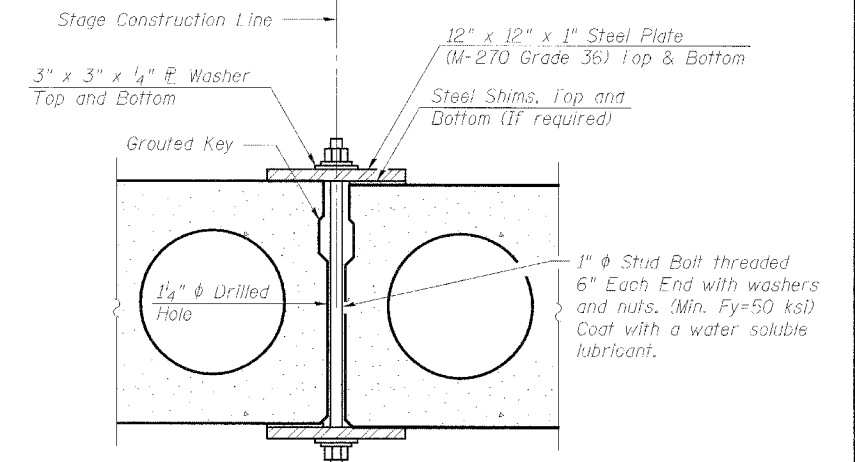
**STAGE III REMOVAL**



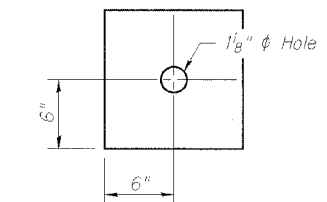
**STAGE III CONSTRUCTION**



**PLAN**



**SECTION**



**CLAMPING PLATE**

**SHEAR KEY CLAMPING DETAILS  
AT STAGE CONST. JT.**

1. See Standard Specifications for Stage Construction of P.P.C. Deck Beams.
2. Cost Included with "Precast Prestressed Concrete Deck Beams".
3. See Stage Construction Details on Roadway Plans for traffic lanes.

Notes:  
All staging cross sections are looking south.  
For quantity of Temporary Concrete Barrier see roadway plans.  
Hatched area indicates Removal of Existing Superstructures.

**STAGE III CONSTRUCTION**  
**F.A.U. 3887 (IL 31)**  
**OVER MILL CREEK**  
**SECTION AR-B**  
**KANE COUNTY STA. 187+31.80**  
**STRUCTURE NO. 045-0020**

DESIGNED	LLV
CHECKED	DDB
DRAWN	MGM
CHECKED	LLV

**STS CONSULTANTS**  
111 NE Jefferson Ave.  
Peoria, Illinois 61602  
Ph(309)676-8464  
FAX(309)676-5445  
IL Design Firm Reg. No. 184-001516