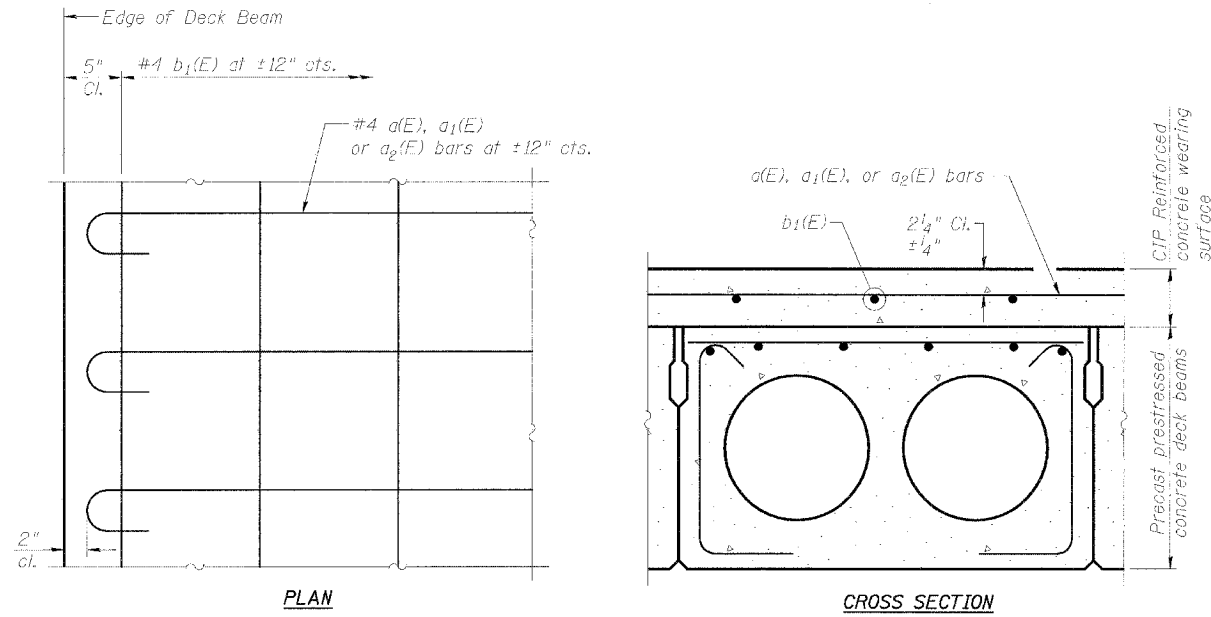


STATE OF ILLINOIS
DEPARTMENT OF TRANSPORTATION

ROUTE NO.	SECTION	COUNTY	SIGN. SHEETS	SHEET NO.	SHEET NO. 10
3887	AR-B	KANE	43	26	16 SHEETS
FED. ROAD DIST. NO. 7	ILL. DIST. NO.	FED. AID PROJECT			

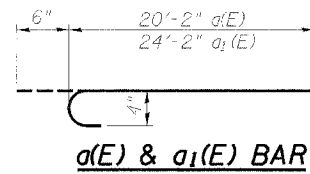
Contract #60C23



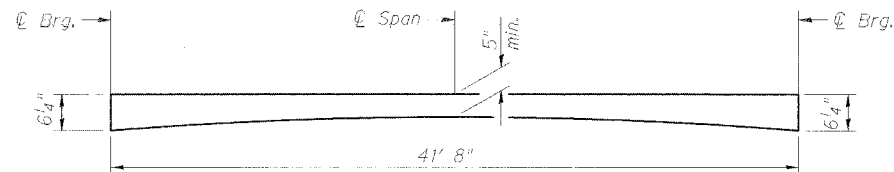
PLAN

CROSS SECTION

REINFORCED CONCRETE WEARING SURFACE



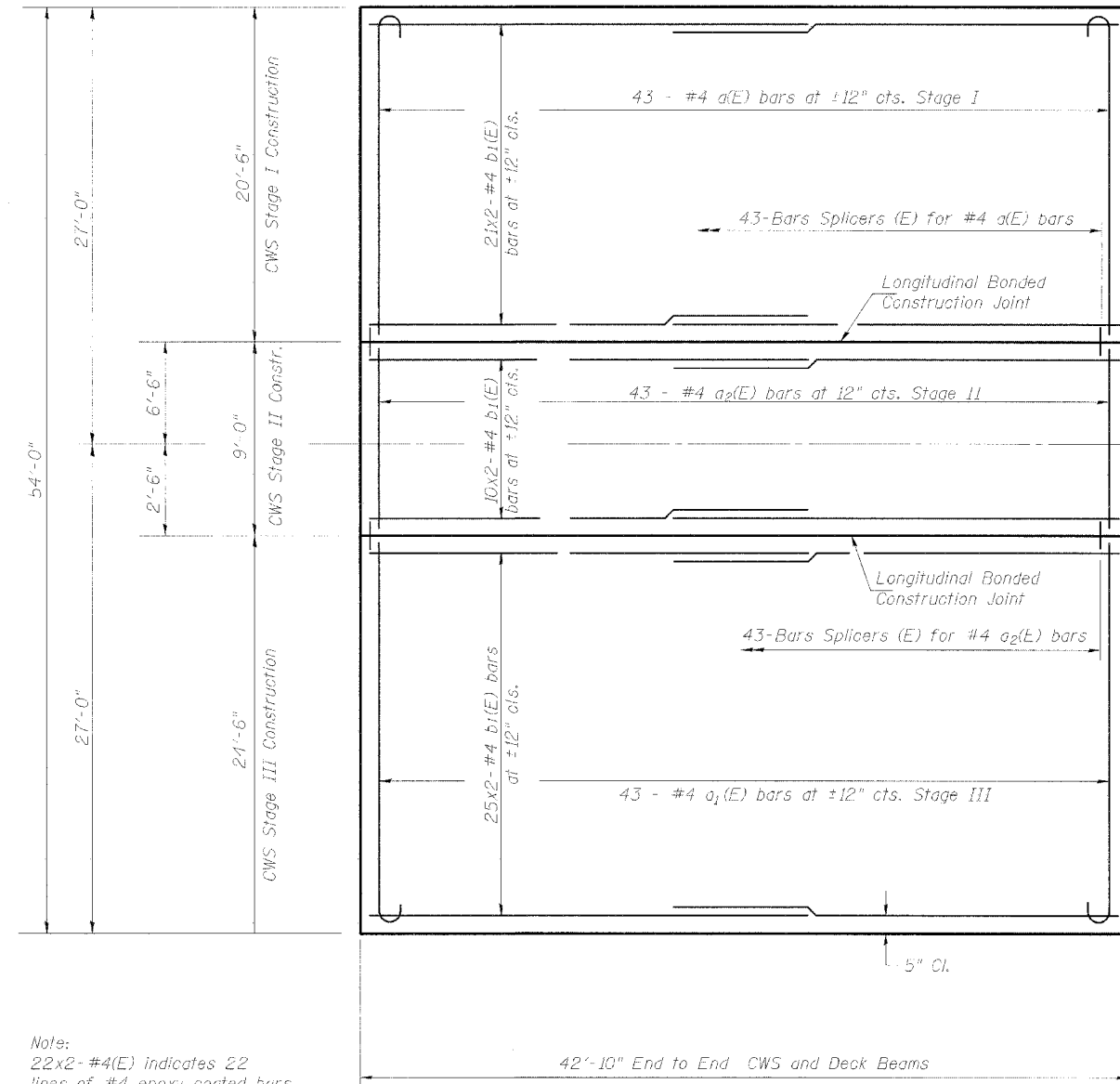
a1(E) & a1(E) BAR



REINFORCED CONCRETE WEARING SURFACE PROFILE

BILL OF MATERIAL

Bar	No.	Size	Length	Shape
a(E)	43	#4	20'-8"	U
a1(E)	43	#4	24'-8"	U
a2(E)	43	#4	8'-8"	U
b1(E)	112	#4	22'-0"	—



Note:
22x2-#4(E) indicates 22 lines of #4 epoxy coated bars with 2 lengths per line.

CONCRETE WEARING SURFACE PLAN

BAR LAPS

#4 bars 1'-4"

BILL OF MATERIAL

ITEM	UNIT	TOTAL
Reinforcement Bars, Epoxy Coated	Pound	3200
Concrete Wearing Surface, 5"	Sq. Yd.	257

DESIGNED	LLV
CHECKED	DDB
DRAWN	MGM
CHECKED	LLV

CONCRETE WEARING SURFACE
F.A.U. 3887 (IL 31)
OVER MILL CREEK
SECTION AR-B
KANE COUNTY STA. 187+31.80
STRUCTURE NO. 045-0020