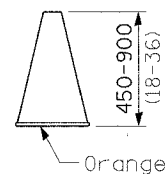
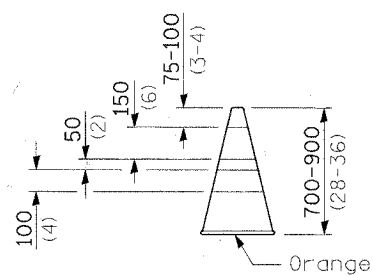


F.A.U. RTE.	SECTION	COUNTY	TOTAL SHEETS	SHEET NO.
332	2007-03ZTS	COOK/WILL	34	32
STA. _____		TO STA. _____		
FED. ROAD DIST. NO. _____ ILLINOIS FED. AID PROJECT				

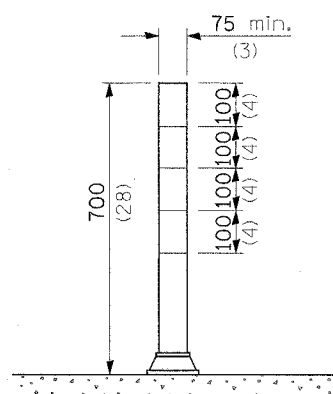
D-91-343-07



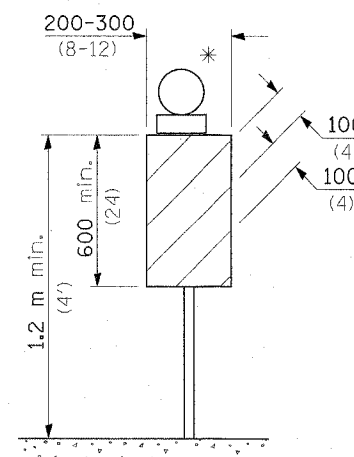
CONE



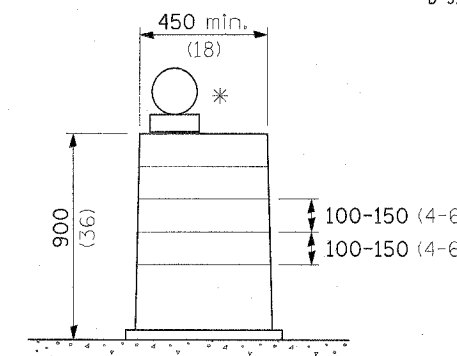
REFLECTORIZED CONE



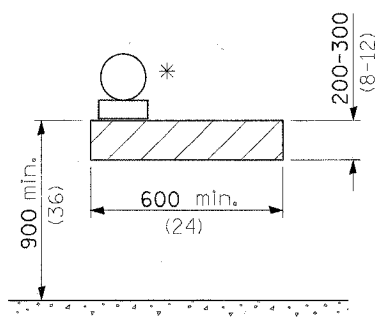
FLEXIBLE DELINEATOR



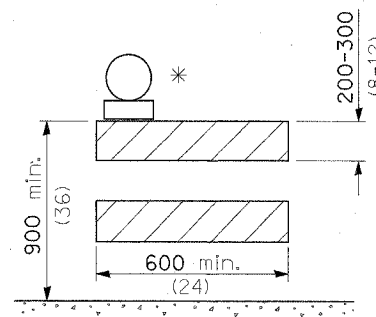
VERTICAL PANEL
POST MOUNTED



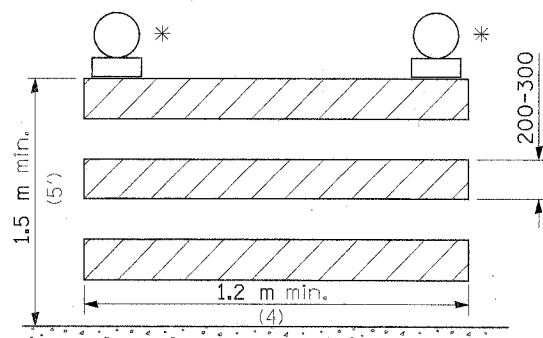
DRUM



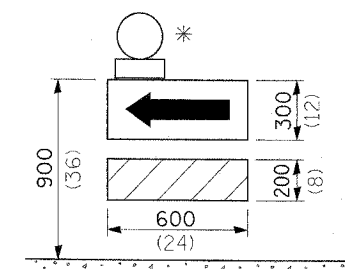
TYPE I BARRICADE



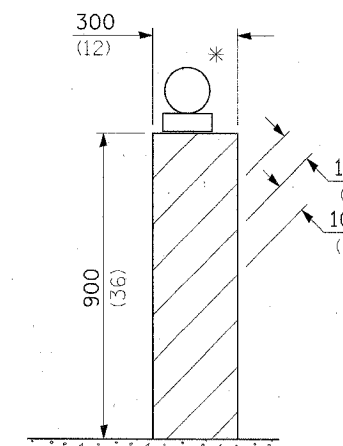
TYPE II BARRICADE



TYPE III BARRICADE



DIRECTION INDICATOR
BARRICADE



VERTICAL BARRICADE

GENERAL NOTES

All heights shown shall be measured above the pavement surface.

All dimensions are in millimeters (Inches) unless otherwise shown.

* Warning lights (if required)

TRAFFIC CONTROL
DEVICES

STANDARD 701901

PLOT DATE = 11/26/07
FILE NAME = #FILE#
PLOT SCALE = #SCALE#
USER NAME = #P-NAME#

INFRASTRUCTURE ENGINEERING, INC.
33 W. MONROE ST., SUITE 1540
CHICAGO, IL 60603-5322
PHONE 312.425.9550
FAX 312.425.9564

REVISIONS	
NAME	DATE

ILLINOIS DEPARTMENT OF TRANSPORTATION

DISTRICT ONE
EXPRESSWAY LANE CLOSURE
DETAILS

SCALE: VERT.
HORIZ.
DATE 11/26/07

DRAWN BY BL
CHECKED BY ER/TC