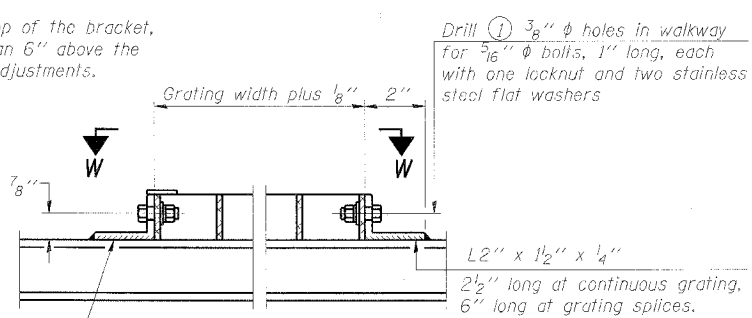
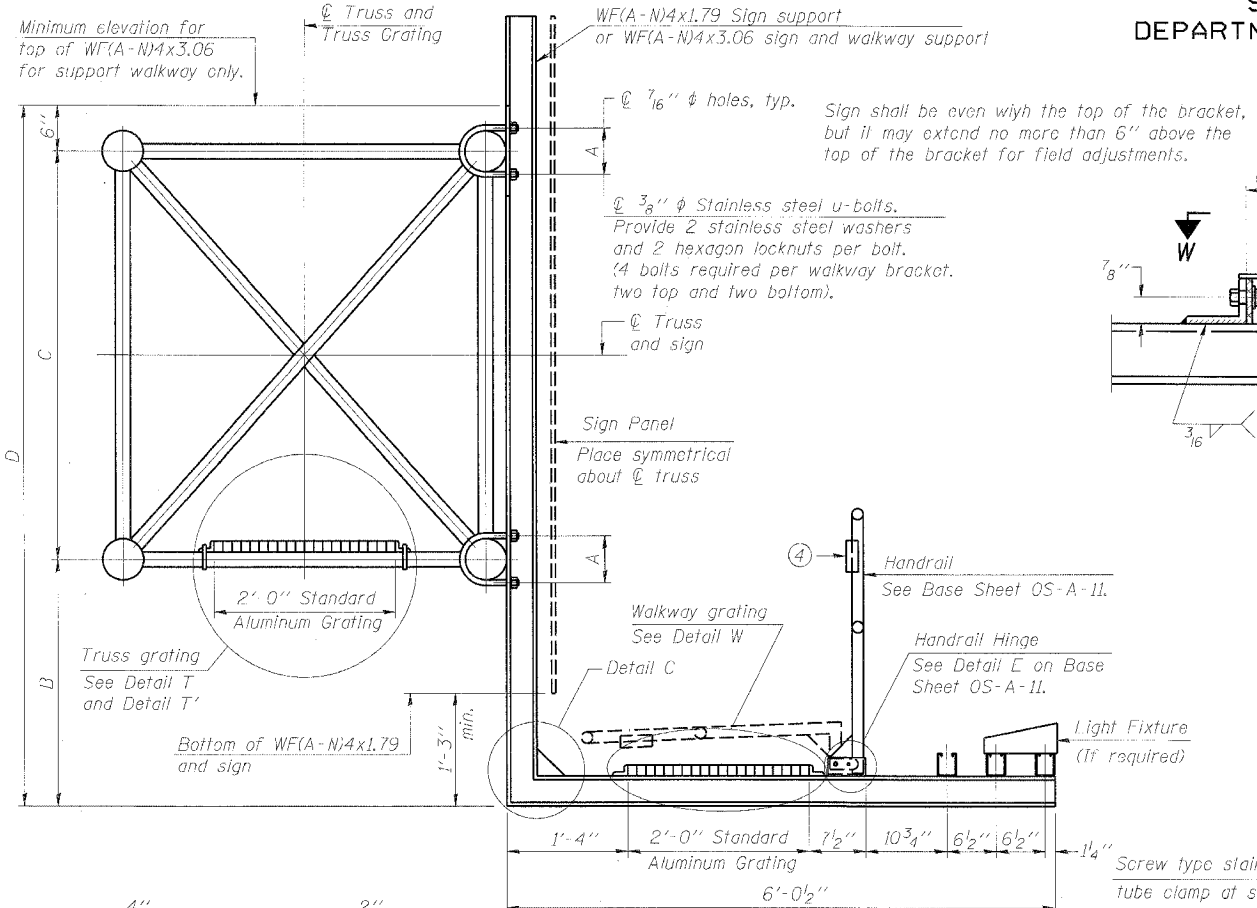


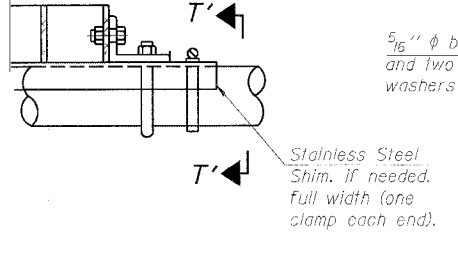
STATE OF ILLINOIS
DEPARTMENT OF TRANSPORTATION

ROUTE NO.	SECTION	COUNTY	SHEETS	SHEET NO.
FA1 90/94	200/056 SG	COOK	30	20
FED. ROAD DIST. NO. 1	ILLINOIS	FED. AID PROJECT		

Contract # 60D49

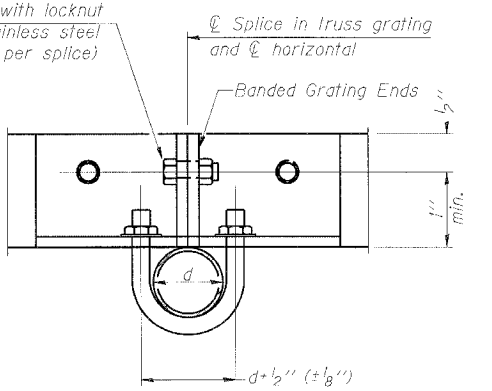


DETAIL W
(Walkway grating)

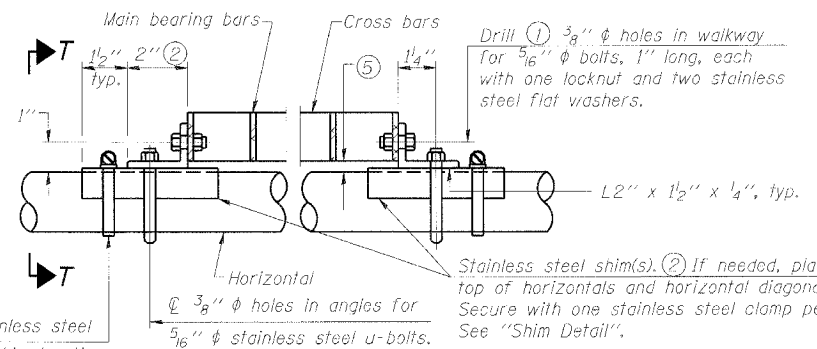


DETAIL T'
(Truss grating splice)

Details not shown same as Detail T. Alternate materials may be used subject to the Engineer's review and approval.



SECTION T'-T'



DETAIL T
(Continuous Truss grating)

SPECIFICATIONS FOR STANDARD ALUMINUM GRATING

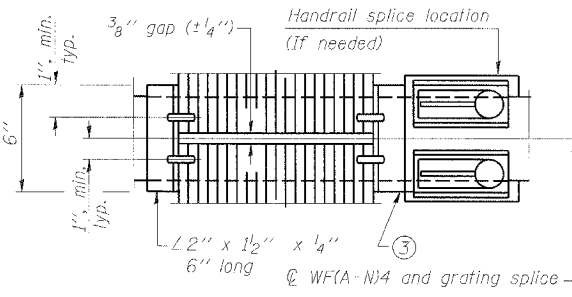
Main Bearing Bars shall be 3/16" x 1/2" on 1 3/16" centers and conform to ASTM B221 Alloy 6061-T6.
Cross bars shall be 3/16" x 1/2" on 4" centers and conform to ASTM B221 Alloy 6063-T5 or 6061-T6.

OR

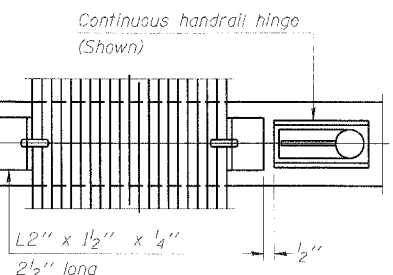
Aluminum Grating with modified "T" sections for main bearing bars shall meet the following requirements:
Main bars shall conform to ASTM B221 Alloy 6061-T6 and have a minimum section modulus equal to 0.0705 in.³ per bar, a depth of 1/2", spaced on 1 3/16" centers.
Cross bars shall conform to ASTM B221 Alloy 6063-T5 or T 42 and spaced on 4" centers.

- Drilling holes in grating may be done in shop or field, based on Contractor's preference and subject to accurate alignment.
- Stainless steel shims shall be placed as shown in Detail T if needed to compensate for alignment variations between horizontal and diagonal pipes beyond adjustment provided by angles. Thicker shims may be used subject to shims performing properly.
- If Handrail Joint present, weld angle to WF(A-N)4 and 1/4" extension bars. (See Base Sheet OS-A-II.)
- 1/2" x 1/2" x 2" welded to handrail posts to protect locations that contact grating.
- Tube to grating gap may vary from 0 to 1/2", max. to align walkway, allow for camber, etc.

SECTION B-B

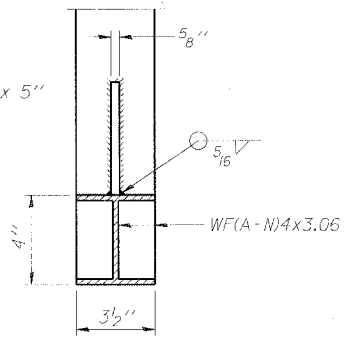


(AT WALKWAY GRATING SPLICE)

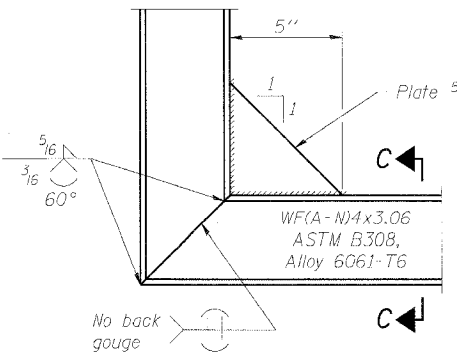
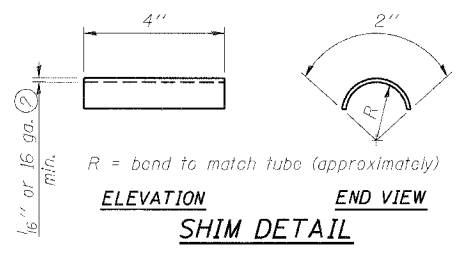


SECTION W-W

SECTION C-C



DETAIL C



Structure Number	Station	A	B	C	D
IS0161094L051.5	30+74.00	8 5/8"	5'-3"	7'-0"	12' 9"

OVERHEAD SIGN STRUCTURES
ALUMINUM WALKWAY DETAILS

I-90/94 KENNEDY EXPRESSWAY
(HUBBARDS CAVE TO I-290)
STATION 30+74.00 (190/94)
COOK COUNTY
STRUCTURE NUMBER IS0161094L051.5

DESIGNED - ASP	200
CHECKED - RLP	EXAMINED
DRAWN - BEM	PASSED
CHECKED - ASP	ENGINEER OF BRIDGES AND STRUCTURES

NUMBER	REVISION	DATE