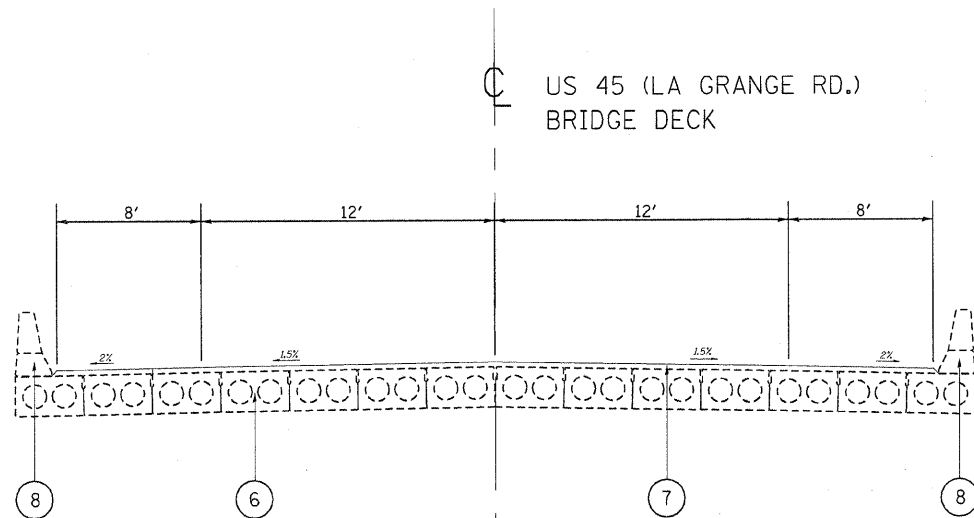


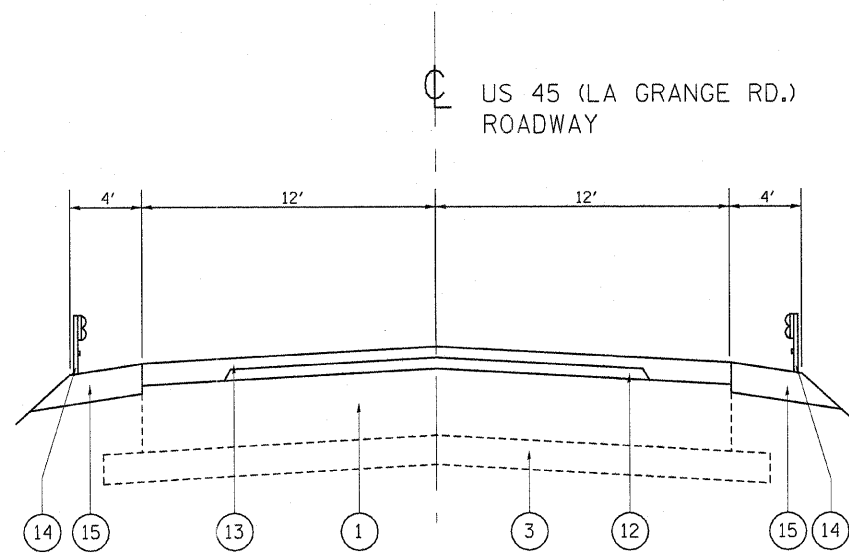
EXISTING TYPICAL SECTION  
 STA. 319+80 TO 320+03  
 STA. 321+01 TO 321+20



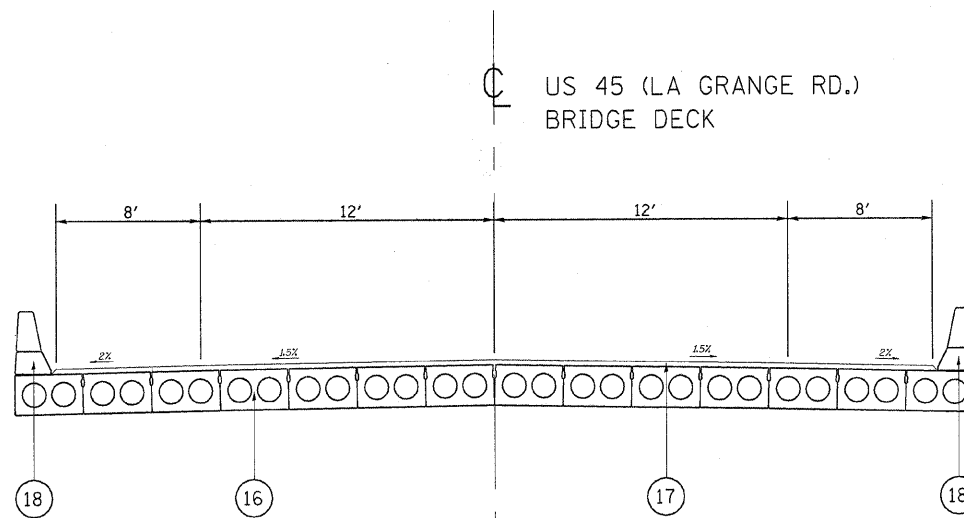
EXISTING TYPICAL SECTION  
 STA. 320+34 TO 320+71

**LEGEND:**

- ① EXIST. P.C.C. PAVEMENT 10"
- ② EXIST. HOT-MIX ASPHALT SURFACE, 3"
- ③ EXIST. STABILIZED SUB-BASE, 4"
- ④ EXIST. HOT-MIX ASPHALT SHOULDER, 8"
- ⑤ EXIST. GUARDRAIL
- ⑥ EXIST. DECK BEAMS
- ⑦ EXIST. HOT-MIX OVERLAY
- ⑧ EXIST. PARAPET WALL
- ⑨ PROP. HOT-MIX ASPHALT SURFACE REMOVAL, 2 1/4"
- ⑩ PROP. P.C.C. SURFACE REMOVAL (VARIABLE DEPTH)
- ⑪ PROP. LEVELING BINDER (MACHINE METHOD), N50, 3/4"
- ⑫ PROP. LEVELING BINDER (MACHINE METHOD), N50, 1"
- ⑬ PROP. HOT-MIX ASPHALT SURFACE COURSE, MIX "D", N50, 1 1/2"
- ⑭ PROP. STEEL PLATE BEAM GUARDRAIL, TYPE A
- ⑮ PROP. PRECAST PRESTRESSED CONCRETE DECK BEAMS (21" DEPTH)
- ⑯ PROP. PRECAST PRESTRESSED CONCRETE DECK BEAMS (17" DEPTH)
- ⑰ PROP. REINFORCED CONCRETE OVERLAY
- ⑱ PROP. PARAPET WALL



PROPOSED TYPICAL SECTION  
 STA. 319+80 TO 320+03  
 STA. 321+01 TO 321+20



PROPOSED TYPICAL SECTION  
 STA. 320+34 TO 320+71

FILE NAME = c:\projects\183288\design_00.dgn	USER NAME = steedpa	DESIGNED -	REVISED -	<b>STATE OF ILLINOIS DEPARTMENT OF TRANSPORTATION</b>	EXISTING AND PROPOSED TYPICAL SECTIONS US 55 (LA GRANGE RD.)--OVER PRAIRIE CREEK				F.A. RTE. 330	SECTION 105 B(1&2)R-1	COUNTY WILL	TOTAL SHEETS 33	SHEET NO. 6
PLOT SCALE = 50.0000' / IN.		CHECKED -	REVISED -		SCALE: SHEET NO. OF SHEETS STA. TO STA.				SN: 099-0119 CONTRACT NO. 60D50				
PLOT DATE = 12/3/2007		DATE -	REVISED -		FED. ROAD DIST. NO. 1 ILLINOIS FED. AID PROJECT								