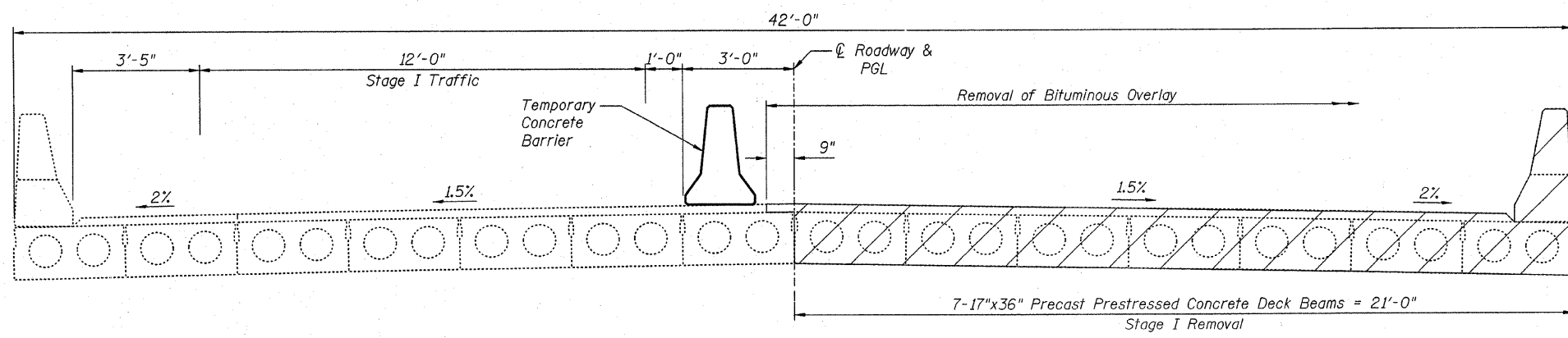


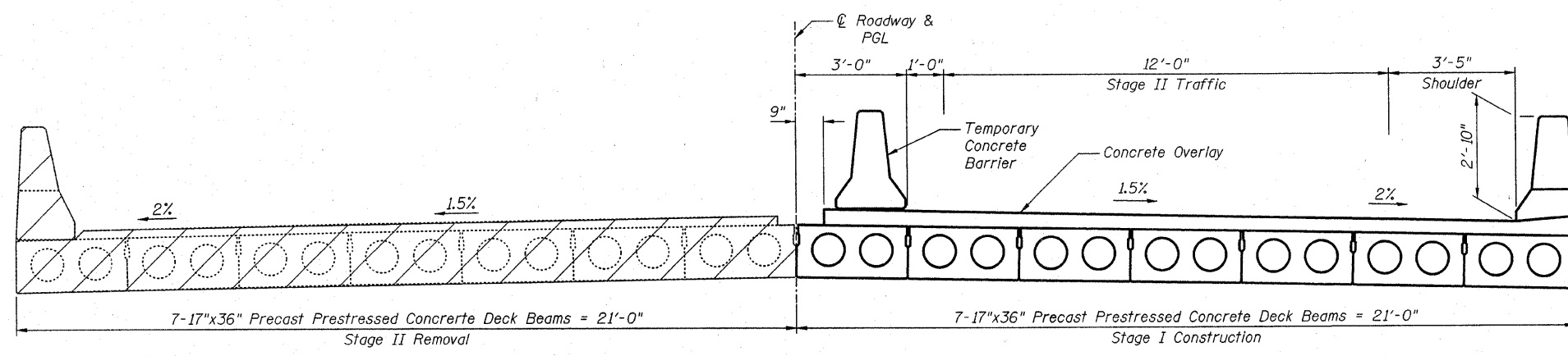
STATE OF ILLINOIS  
DEPARTMENT OF TRANSPORTATION

ROUTE NO.	SECTION	COUNTY	TOTAL SHEETS	SHEET NO.	SHEET NO. 2 9 SHEETS
FAP 330	105B-1R	WILL	33	20	
FED. ROAD DIST. NO. 7		ILLINOIS	FED. AID PROJECT-		

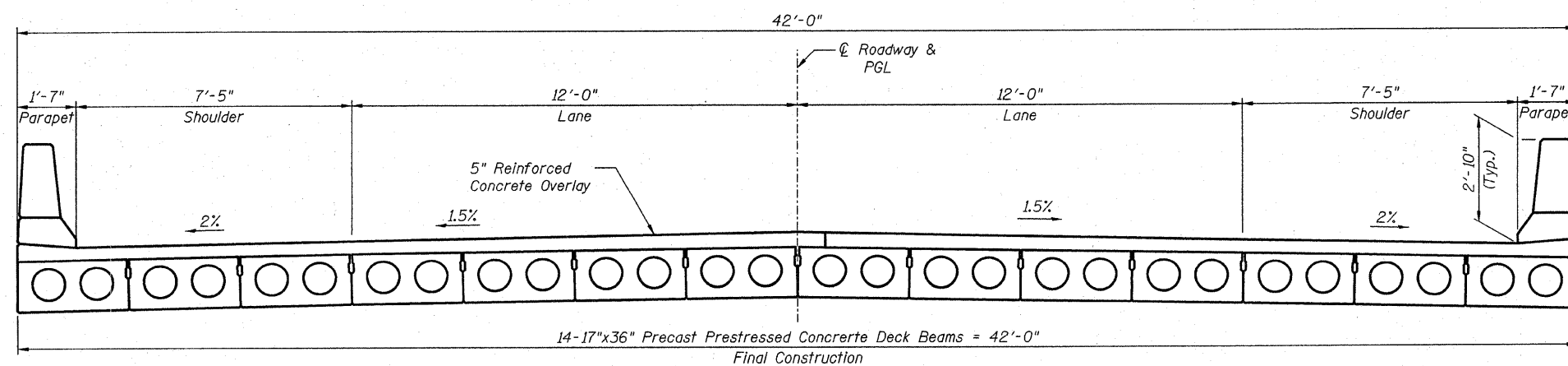
Contract # 60D50



**STAGE I REMOVAL**  
(Looking North)



**STAGE I CONSTRUCTION & STAGE II REMOVAL**  
(Looking North)



**FINAL**  
(Looking North)

**LEGEND:**  
 Removal of Existing Superstructure

- NOTE:**
- See Sheet No. 3 for Temporary Concrete Barrier Details.
  - The main vertical reinforcement is in the front face of the abutment stem. In order to guarantee the stability of the abutments during construction staging, no more than three existing beams shall be removed at a time. Installation of new beams shall include grouted dowels to guarantee the stability of the abutments.
  - The Contractor may use, at his option, the Temporary Wall Bracing System. The cost of the temporary bracing system shall be included with Removal of Existing Superstructures.
  - The Contractor shall submit details and calculations, prepared and sealed by an Illinois Licensed Structural Engineer, of the temporary wall bracing system he proposes to use for approval by the Engineer. Such approval shall in no way relieve the Contractor of responsibility for the safety of the structure. The submittal shall include sequences for existing beam removal, bracing system erection, and the bracing system removal and shall account for the stability of the closed abutments during both stages of removal and construction.
  - After the bracing system is no longer required, it shall be completely removed. All materials shall become the property of the Contractor. After removal of the Temporary Wall Bracing System, the Contractor shall restore damaged concrete surfaces to match the existing surface of the concrete structure with proposed repairs.
  - The Contractor is ultimately responsible of means and methods to ensure the complete stability of the structural members during construction.

**STAGE CONSTRUCTION DETAILS**  
**US RTE 45 OVER PRAIRIE CREEK**  
**F.A.P. RT. 330**  
**SECTION 105B-1R**  
**WILL COUNTY**  
**STA. 320+52.00**  
**S.N. 099-0119**

DESIGNED	B. Sauter
CHECKED	E. Mroczek
DRAWN	R. Danley
CHECKED	E. Mroczek

**CG** **Ciorba Group, Inc.**  
**CONSULTING ENGINEERS**  
 5507 North Cumberland Avenue, Suite 402 Chicago, Illinois 60656  
 Tel. 773.775.4009 Fax 773.775.4014 Email chicago@ciorba.com

10/17/2007 r-danley m:\proj\3329\3329\design\structural\ced\st1\3329\_05\_02 Stage Construction.sht