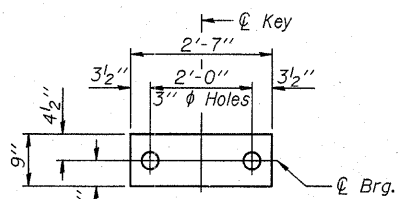


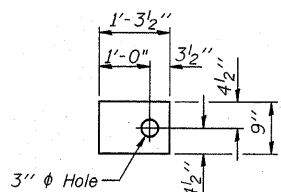
STATE OF ILLINOIS
DEPARTMENT OF TRANSPORTATION

ROUTE NO.	SECTION	COUNTY	TOTAL SHEETS	SHEET NO.	SHEET NO. 4 9 SHEETS
FAP 330	105B-1R	WILL	33	22	
FED. ROAD DIST. NO. 7		ILLINOIS	FED. AID PROJECT-		

Contract # 60D50

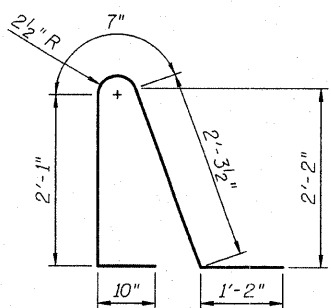


FABRIC BEARING PAD
(Interior)
(26 - Required)

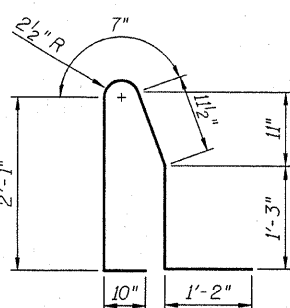


FABRIC BEARING PAD
(Exterior)
(4 - Required)

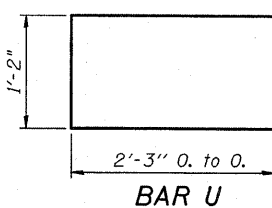
FIXED



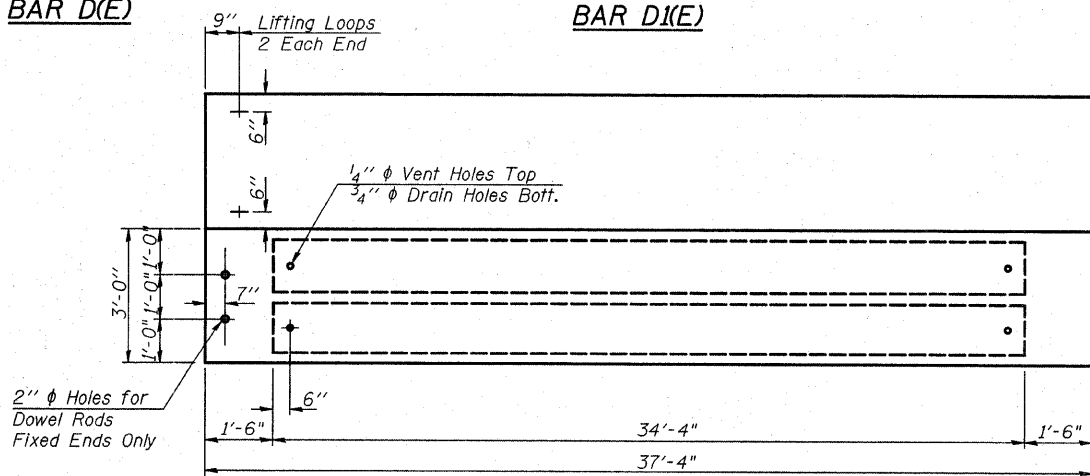
BAR D(E)



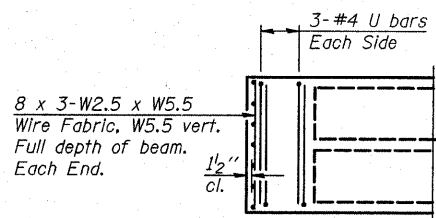
BAR D(E)



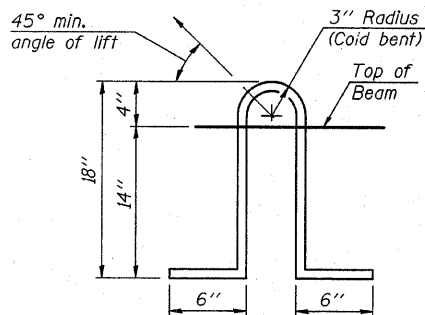
BAR U



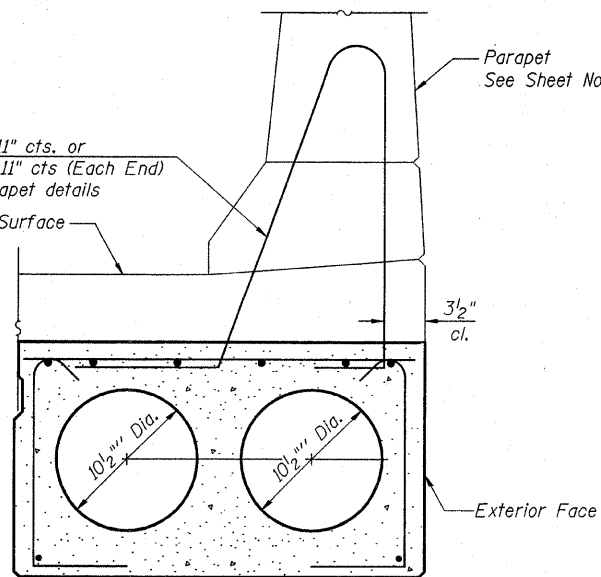
PLAN



END PLAN



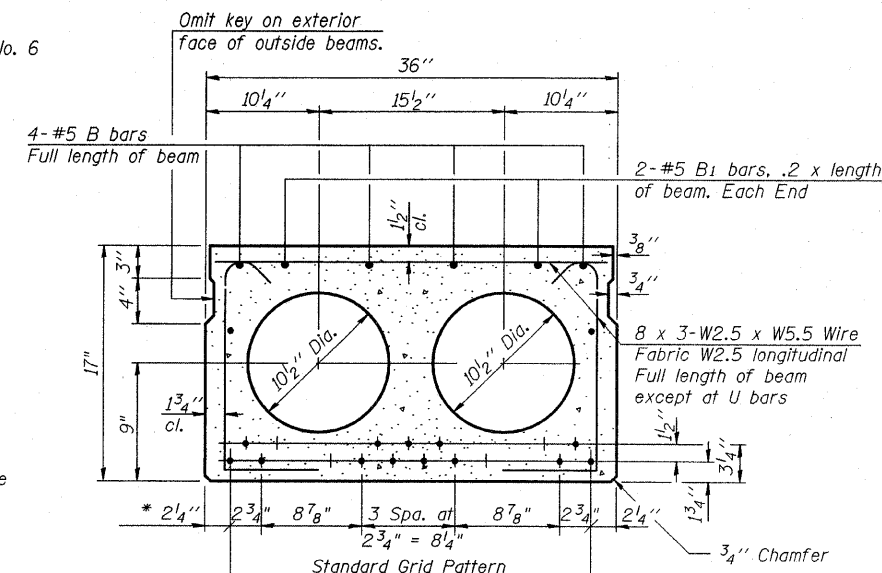
LIFTING LOOP DETAIL



SECTION THRU EXTERIOR BEAM

See Typical Section Thru Interior Beam for strand pattern, dimensions and bar call outs.

Parapets shall be poured in the field.



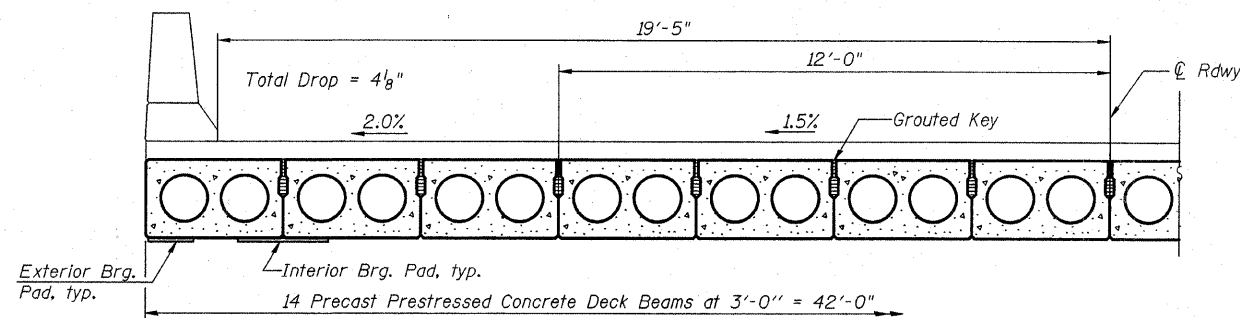
TYPICAL SECTION

1/2" φ Strands, Each Strand Stressed to 30,900 Lbs.
8-Strands 1 3/4" up, 5-Strands 3/4" up, 2-Strands 12" up

* Suggested location of strands in the bottom layer to avoid the conflict with dowel rod holes at the ends.

Note:

Place strands symmetrically about centerline of beam.



HALF CROSS SECTION

NOTES

- Prestressing steel shall be uncoated high strength, low relaxation 7-wire strand, Grade 270. The nominal diameter shall be 1/2" and the nominal cross-sectional area shall be 0.153 sq. in. Lifting loops shall be 2 - 1/2" φ-270 ksi strands, as shown.
- Non prestressing steel shall conform to ASTM A 706 (IL MOD), Grade 60.
- The bearing seat surfaces shall be adjusted by shimming to assure firm and even bearing. Two 1/8" fabric adjusting shims of the dimensions of the Exterior Bearing Pad shall be provided for each bearing.
- Keyway surfaces shall be cleaned to remove form oil or other bond breaking material prior to shipment of the beams. Cleaning shall be done by sandblasting the keyway areas between top of the beam and the bottom edge of the key.
- Corrosion Inhibitor, per Article 1020.05(b)(12) of the Standard Specifications, shall be used in the concrete for precast prestressed concrete deck beams.
- Required Release Strength, f'cl, shall be 4,000 p.s.i.

BILL OF MATERIAL

Bar	No.	Size	Length	Shape
B	4	#5	37'-1"	—
B1	4	#5	6'-11"	—
D(E)	36	#5	6'-11 1/2"	U
D(E)	6	#5	6'-10 1/2"	U
U	6	#4	5'-8"	C
Precast Prestressed Conc. Deck Bms. (17")		Sq. Ft.	1,568	

* Exterior beams only

BEAM DETAILS (17"x36")
US RTE 45 OVER PRAIRIE CREEK
F.A.P. RT. 330
SECTION 105B-1R
WILL COUNTY
STA. 320+52.00
S.N. 099-0119

DESIGNED	B. Sauter
CHECKED	E. Mroczek
DRAWN	R. Danley
CHECKED	E. Mroczek



Ciiorba Group, Inc.
CONSULTING ENGINEERS
5507 North Cumberland Avenue, Suite 402 Chicago, Illinois 60656
Tel. 773.775.4009 Fax 773.775.4014 Email chicago@ciiorba.com