

F.A. RTE.	SECTION	COUNTY	TOTAL SHEETS	SHEET NO.
VAR.	2007-064I	McHENRY	7	1

STATE OF ILLINOIS
DEPARTMENT OF TRANSPORTATION
DIVISION OF HIGHWAYS

**PROPOSED
HIGHWAY PLANS**

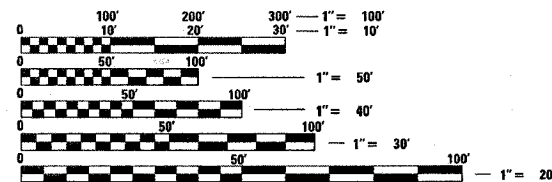
ROUTE: VARIOUS McHENRY COUNTY
SECTION: 2007-064I
COUNTY: McHENRY
ARTERIAL HIGHWAY CLEANING (SWEEPING)
C-91-163-08

FOR INDEX OF SHEETS, SEE SHEET NO. 2

D-91-163-08



LOCATION MAPS - SEE INDEX OF SHEETS



FULL SIZE PLANS HAVE BEEN PREPARED USING STANDARD ENGINEERING SCALES. REDUCED SIZED PLANS WILL NOT CONFORM TO STANDARD SCALES. IN MAKING MEASUREMENTS ON REDUCED PLANS, THE ABOVE SCALES MAY BE USED.

J.U.L.I.E.
JOINT UTILITY LOCATION INFORMATION FOR EXCAVATION
1-800-892-0123

CONTRACT NO. 60E03

STATE OF ILLINOIS
DEPARTMENT OF TRANSPORTATION
DIVISION OF HIGHWAYS

SUBMITTED Dec 17 20 07
Diane O'Keefe
DEPUTY DIRECTOR OF HIGHWAYS, REGION ENGINEER

December 7, 20 07
Eric E. Harn
Interim ENGINEER OF DESIGN AND ENVIRONMENT

December 7, 20 07
Christine M. Reed
DIRECTOR OF HIGHWAYS, CHIEF ENGINEER

**PRINTED BY THE AUTHORITY
OF THE STATE OF ILLINOIS**

F.A. RTE.	SECTION	COUNTY	TOTAL SHEETS	SHEET NO.
VAR.	2007-064I	McHENRY	7	2
STA.		TO STA.		
FED. ROAD DIST. NO.	ILLINOIS	FED. AID PROJECT		

INDEX OF SHEETS

1. TITLE SHEET
2. INDEX OF SHEETS
APPLICABLE STATE STANDARDS
3. SUMMARY OF QUANTITIES
SCHEDULE OF CLEANING STARTING DATES
4. ARTERIAL TYPICAL SECTIONS
5. LOCATION SHEET
6. DISTRICT ONE DETAILS: TRAFFIC CONTROL DEVICES FOR
HIGHWAY AND SIGN CLEANING OPERATIONS-DAY TIME ONLY
7. TRAFFIC CONTROL DETAILS FOR SHOULDER CLOSURES
AND PARTIAL RAMP CLOSURES

STATE STANDARDS

- | | |
|---|--|
| <p>701001-01
701006-02
701011-01
701101-01
701301-02
701311-02
701411-04
701901</p> | <p>OFF-ROAD OPERATION 2L, 2W, 15' MIN. AWAY FOR SPEEDS >45 MPH
OFF-ROAD OPERATION 2L, 2W, 15' TO PAVEMENT EDGE FOR SPEEDS >45 MPH
OFF-ROAD MOVING OPERATION 2L, 2W, DAY ONLY
OFF-ROAD OPERATIONS, MULTILANE, 15' TO 24" FORM PAVEMENT EDGE
LANE CLOSURE, 2L 2W, SHORT TIME OPERATIONS
LANE CLOSURE, 2L 2W, MOVING OPERATIONS - DAY ONLY
LANE CLOSURE, MULTILANE AT ENTERANCE/EXIT RAMP FOR SPEEDS >45 MPH
TRAFFIC CONTROL DEVICES</p> |
|---|--|

PLOT DATE = 12/15/2007
 PLOT SCALE = 1/8" = 1'-0"
 USER NAME = mdsjg

REVISIONS		ILLINOIS DEPARTMENT OF TRANSPORTATION
NAME	DATE	
		INDEX OF SHEETS AND STATE STANDARDS

SCALE: VERT. DATE	DRAWN BY CHECKED BY
----------------------	------------------------

F.A. RTE.	SECTION	COUNTY	TOTAL SHEETS	SHEET NO.
VAR.	2007-064I	McHENRY	7	3
STA.		TO STA.		
FED. ROAD DIST. NO.		ILLINOIS FED. AID PROJECT		

SUMMARY OF QUANTITIES

CODE NO.	ITEM	UNIT	MAIN QUANTITY
X0323141	SUPPLEMENTAL SWEEPING	MILE	20
X0330600	FULL ARTERIAL CLEANING CYCLE	EACH	3

*URBAN
100% STATE*

ARTERIAL CLEANING SCHEDULE OF STARTING DATES - 2008

1st FULL CLEANING CYCLE	----	MARCH 1
2nd FULL CLEANING CYCLE	----	JULY 1
3rd FULL CLEANING CYCLE	----	SEPTEMBER 1 (RECOMMENDED TO BE COMPLETED ON OR BEFORE NOVEMBER 30)

ARTERIAL CLEANING SCHEDULE OF STARTING DATES - 2009

1st FULL CLEANING CYCLE	----	MARCH 1
2nd FULL CLEANING CYCLE	----	JULY 1
3rd FULL CLEANING CYCLE	----	SEPTEMBER 1 (RECOMMENDED TO BE COMPLETED ON OR BEFORE NOVEMBER 30)

NOTES:

1. SCHEDULE MAY VARY AS DIRECTED BY THE ENGINEER.
2. THE CONTRACTOR MAY NOT START CLEANING CYCLES BEFORE THE DATES SCHEDULED IN THE PLANS WITHOUT WRITTEN AUTHORIZATION FROM THE ENGINEER.
3. NO WORK WILL BE ALLOWED DURING ANY LEGAL HOLIDAY PERIOD.
4. ALL SCHEDULES OF ANTICIPATED STARTING DATES SHOWN ARE TENTATIVE AS DETERMINE BY THE DEPARTMENT'S OPERATIONAL NEEDS.

PLOT DATE = 12/15/2007
 FILE NAME = c:\projects\127198\seepingcontract\2008.dgn
 PLOT SCALE = 50.0000 / IN.
 USER NAME = mdjja

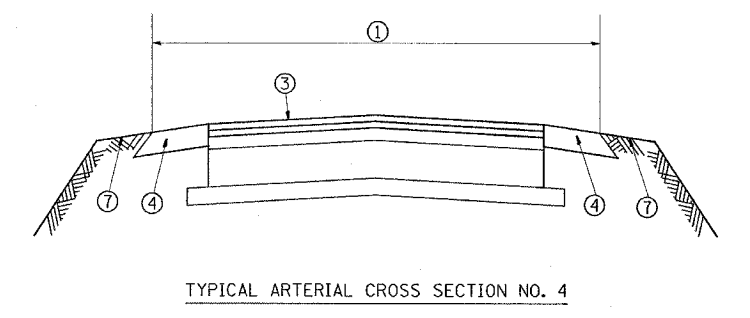
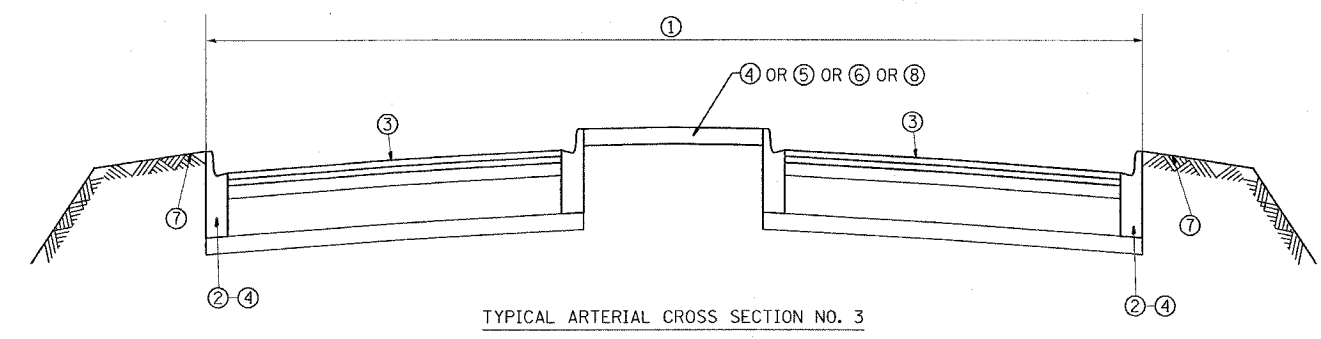
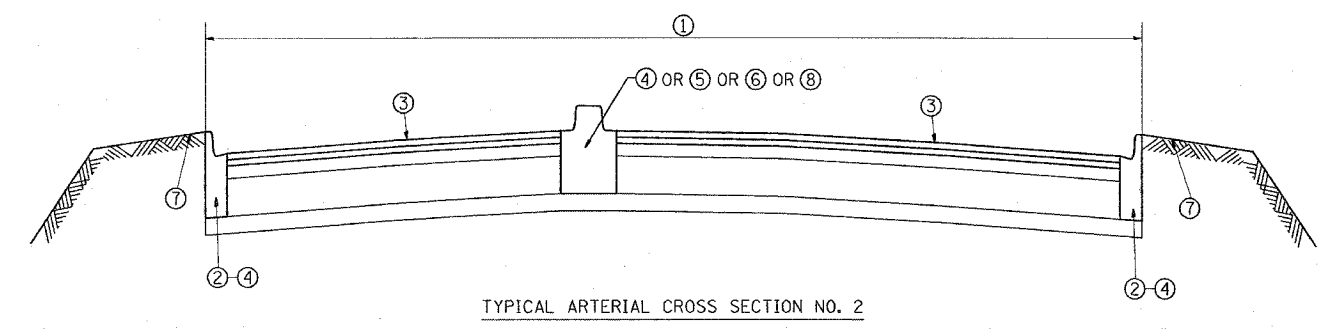
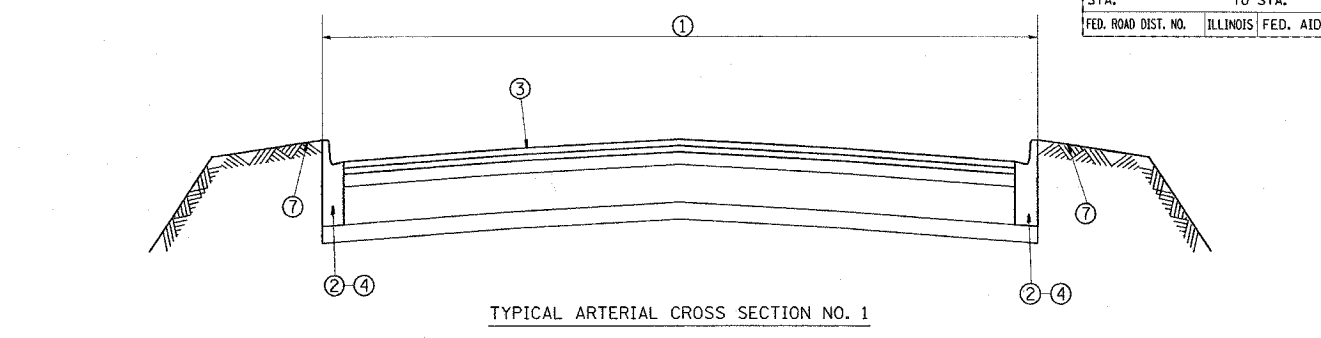
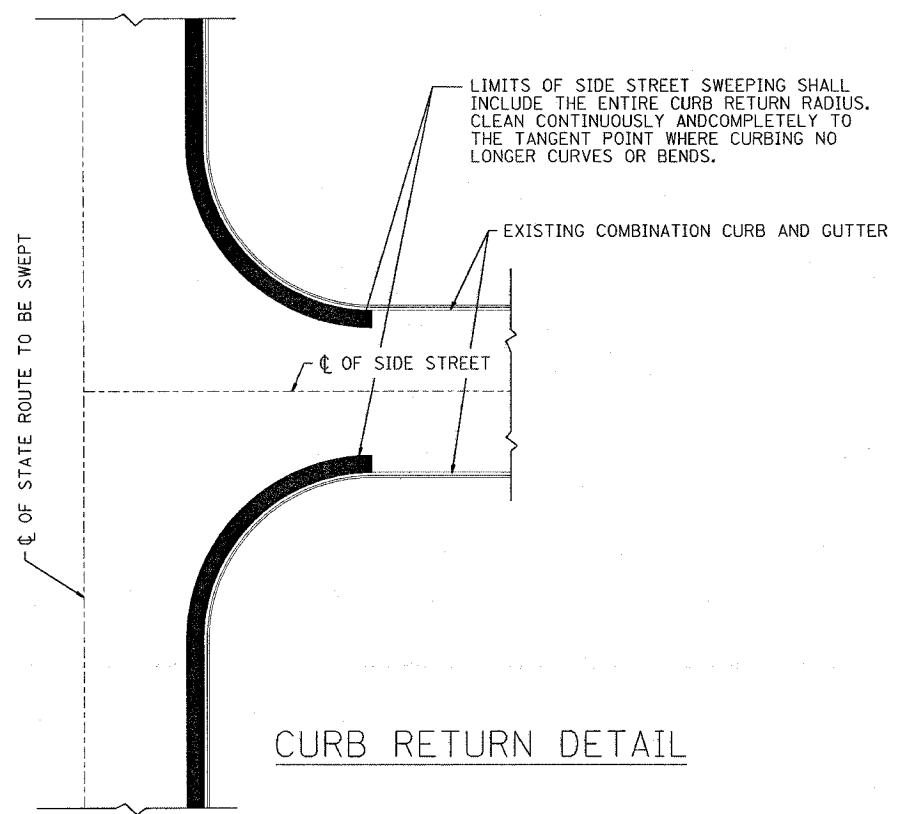
REVISIONS	
NAME	DATE

ILLINOIS DEPARTMENT OF TRANSPORTATION
 SUMMARY OF QUANTITIES
 AND
 SCHEDULE OF STARTING DATES

SCALE: VERT.
 DATE HORIZ.

DRAWN BY
 CHECKED BY

F.A. RTE.	SECTION	COUNTY	TOTAL SHEETS	SHEET NO.
VAR.	2007-064I	McHENRY	7	4
STA.	TO STA.			
FED. ROAD DIST. NO.	ILLINOIS	FED. AID PROJECT		



- LEGEND**
- ① AREA OF ROADWAY CLEANING AND RUBBISH REMOVAL
 - ② CURB AND GUTTER
 - ③ TRAVELED ROADWAY
 - ④ STABILIZED SHOULDER OR MEDIAN
 - ⑤ STEEL PLATE GUARD
 - ⑥ CONCRETE BARRIER
 - ⑦ NON STABILIZED AREA
 - ⑧ RAISED CONCRETE MEDIAN

NOTE:
SLOPE WALLS UNDER BRIDGES ARE NOT INCLUDED IN AREAS TO BE CLEANED.

REVISIONS	
NAME	DATE

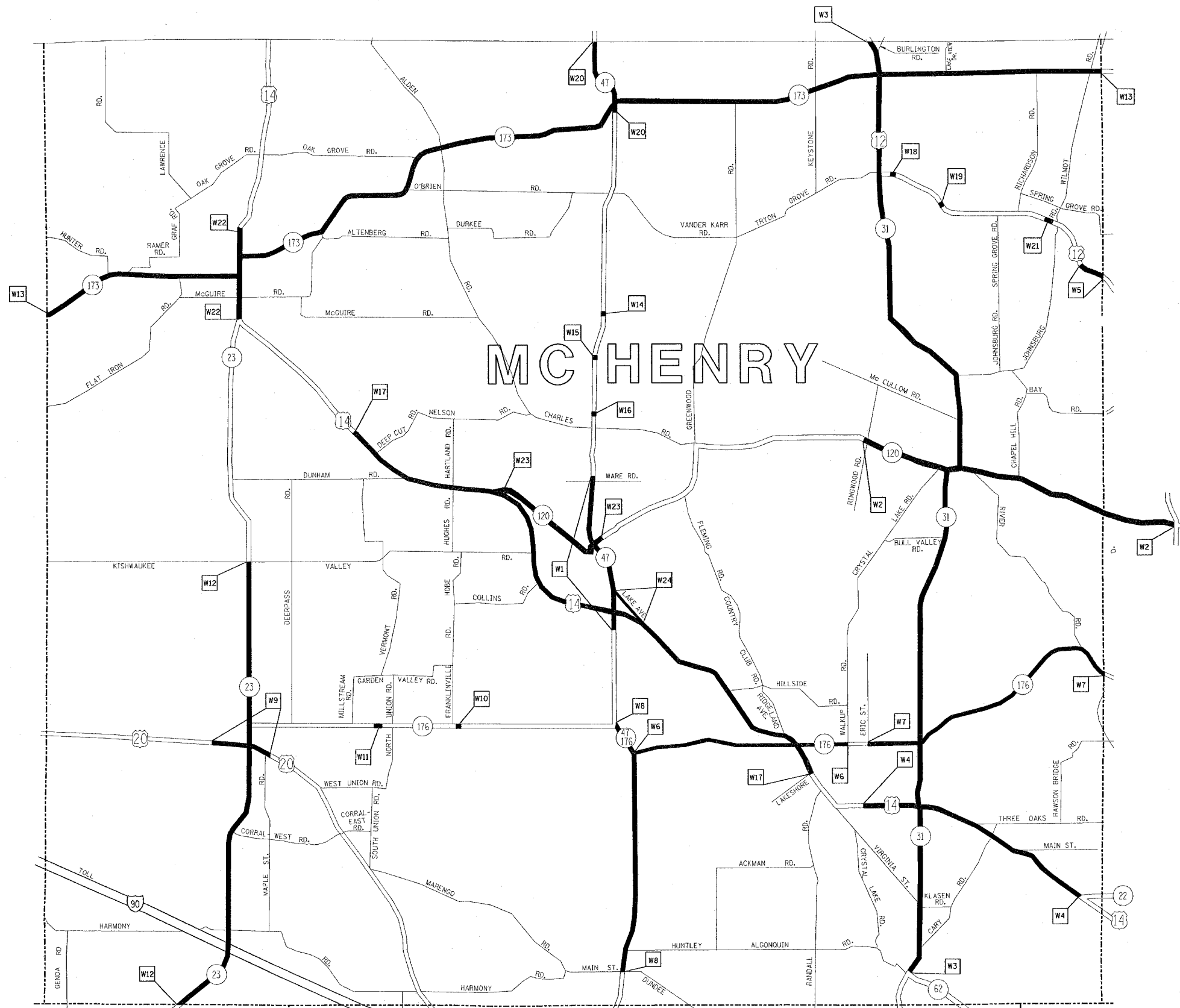
ILLINOIS DEPARTMENT OF TRANSPORTATION
ARTERIAL HIGHWAY
CLEANING (SWEEPING)

**TYPICAL
ARTERIAL CROSS SECTIONS
AND CURB RETURN DETAIL**

SCALE: VERT. _____
HORIZ. _____

DATE _____ DRAWN BY _____
CHECKED BY _____

F.A. RTE.	SECTION	COUNTY	TOTAL SHEETS	SHEET NO.
	2007-0641	MC HENRY	7	5
STA.	TO STA.			
FED. ROAD DIST. NO.	ILLINOIS	FED. AID PROJECT		



TEAM SECTION
WOODSTOCK

KEY LOCATIONS
W1 - W24

DISTRICT NO. 1

- STATE HIGHWAYS & EXPRESSWAYS WITHIN STATE JURISDICTION (EXCEPT TOLLWAYS)
- STATE HIGHWAYS & EXPRESSWAYS TO BE CLEANED
- FUTURE HIGHWAYS
- VARIOUS AGENCIES HIGHWAYS

REVISIONS	
NAME	DATE

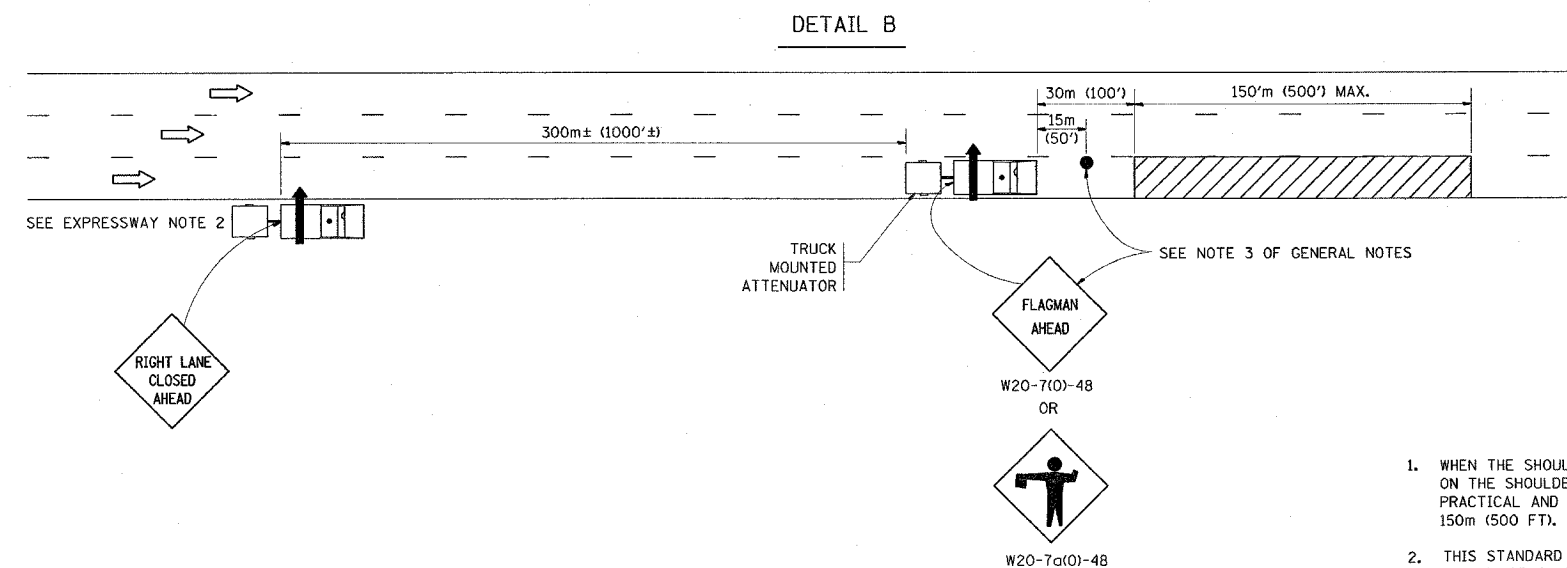
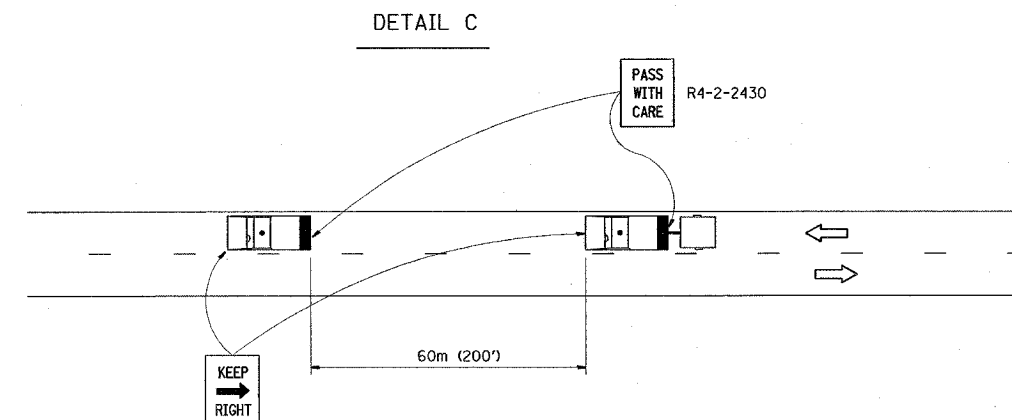
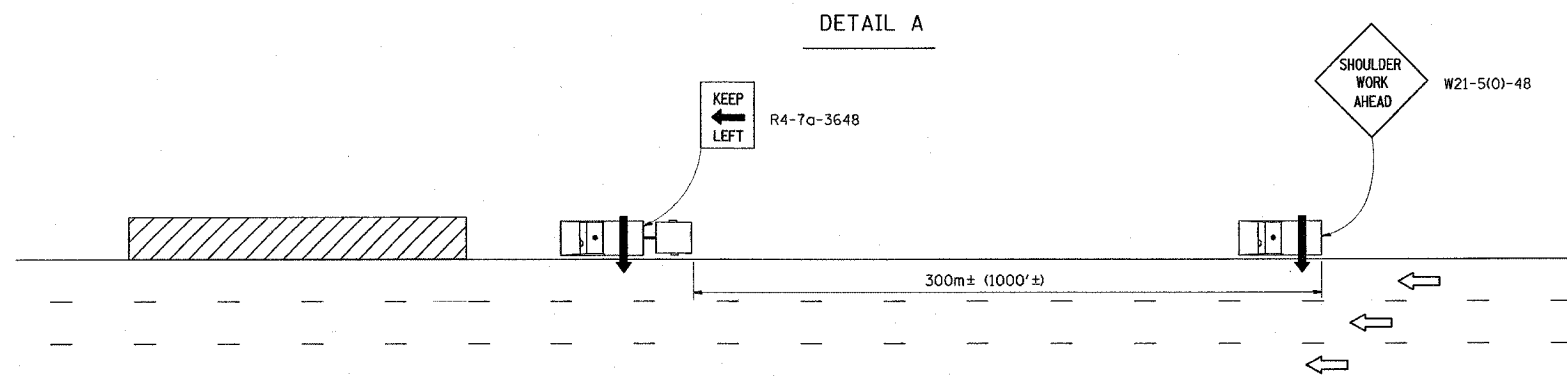
ILLINOIS DEPARTMENT OF TRANSPORTATION

ARTERIAL CLEANING
LOCATION MAP
MC HENRY COUNTY
WOODSTOCK TEAM SECTION

SCALE: VERT.
HORIZ.

DRAWN BY
CHECKED BY

F.A. RTE.	SECTION	COUNTY	TOTAL SHEET	SHEET NO.
VAR.	2007-0641	MCHEMRY	7	6
STA.	TO STA.			
FED. ROAD DIST. NO.	ILLINOIS	FED. AID PROJECT		



GENERAL NOTES

1. WHEN THE SHOULDER DOES NOT EXIST, OR IS NARROW, FOLLOWING VEHICLES SHOWN ON THE SHOULDER SHALL RIDE AS CLOSE TO THE EDGE OF THE TRAVELLED WAY AS PRACTICAL AND THE SPACING TO THE NEXT VEHICLE REDUCED TO APPROXIMATELY 150m (500 FT).
2. THIS STANDARD IS ALSO APPLICABLE WHEN WORK IS BEING PERFORMED IN THE LEFT LANE(S) OR ON THE MEDIAN SHOULDER. UNDER THESE CONDITIONS, "KEEP RIGHT" SIGNS SHALL BE SUBSTITUTED FOR "KEEP LEFT" SIGNS AND ARROW BOARD INDICATIONS SHALL BE DIRECTED TO THE RIGHT.
3. WHEN FLAGGERS ARE SPECIFIED, FLAGGER SIGNS SHALL BE PLACED AS SHOWN.
4. WHEN USING DETAIL B, OR WHERE WORKERS ARE IN THE LEAD VEHICLE, OTHER THAN IN THE CAB, THE FOLLOWING VEHICLE SHALL BE POSITIONED BEHIND THE LEAD VEHICLE AND THE SPACING REDUCED TO APPROXIMATELY 150m (500 FT).
5. LONGITUDINAL DISTANCES MAY BE ADJUSTED TO FIT FIELD CONDITIONS. THE LATERAL PLACEMENT OF THE FLAGGER MAY BE VARIED FROM THAT SHOWN.
6. WATER TRUCKS USED TO CONTROL DUST PROPAGATION ARE ALLOWED TO OPERATE BY THEMSELVES. THEY SHALL AVOID SUDDEN STOPS.
7. ALL VEHICLES SHALL HAVE HEADLIGHTS AND EMERGENCY FLASHERS OPERATING AND SHALL DISPLAY AN AMBER COLORED OSCILLATING, ROTATING OR FLASHING LIGHT(S). AT LEAST ONE AMBER LIGHT IS TO BE VISIBLE FROM ANY DIRECTION.
8. ALL SWEEPERS, SIGN CLEANING TRUCKS, WATER TRUCKS AND FOLLOW VEHICLES SHALL HAVE ARROW BOARDS, AND APPROPRIATE SIGNS.

SYMBOLS

- ARROW BOARD (HAZARD MODE ONLY)
- ARROW BOARD
- FLAGGER WITH TRAFFIC CONTROL SIGNS
- WORK AREA
- TRUCK WITH FLASHING AMBER LIGHT
- TRUCK WITH FLASHING AMBER LIGHT AND TRUCK MOUNTED ATTENUATOR

EXPRESSWAY NOTES

1. A FOLLOW VEHICLE(S) WITH ARROW BOARD IS REQUIRED AT ALL TIMES.
2. TRUCK MOUNTED ATTENUATORS ARE REQUIRED ON ALL CLEANING OPERATIONS.
3. WHEN WITHIN THE INNER CITY LIMITS OR ON SHOULDERS THAT ARE TOO NARROW FOR THE FOLLOW VEHICLE, THE SECOND FOLLOW VEHICLE SHALL HAVE A TRUCK MOUNTED ATTENUATOR.
4. WHEN WORKING ON RAMP, THE SECOND FOLLOW VEHICLE SHALL REMAIN ON THE MAINLINE SHOULDER IN ADVANCE OF THE RAMP. THE FOLLOW VEHICLE SHALL HAVE A "RAMP WORK AHEAD" SIGN.
5. SIGN CLEANING SHALL HAVE THE SAME TRAFFIC CONTROL AND PROTECTION REQUIREMENTS AS OUTLINED FOR SWEEPING OPERATIONS.

ARTERIAL NOTES

1. DETAIL C SHALL APPLY
2. TRUCK MOUNTED ATTENUATORS ARE REQUIRED ON ALL CLEANING OPERATIONS.

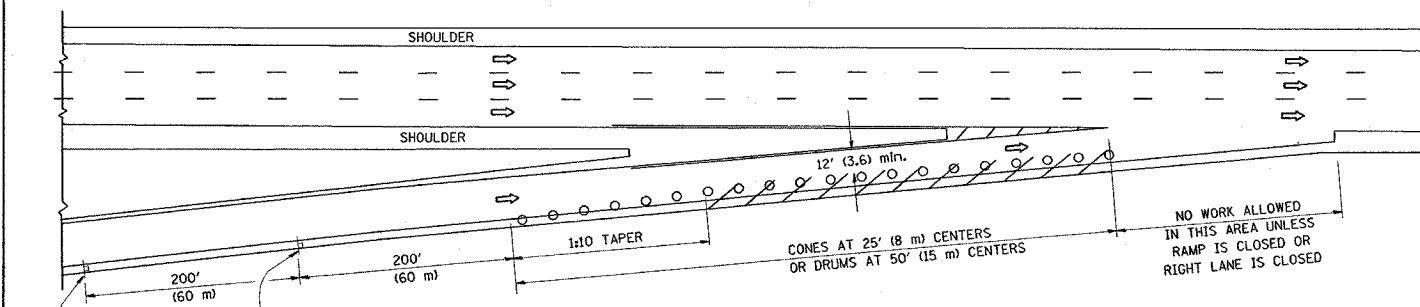
PLOT DATE = 12/18/2007
 FILE NAME = c:\p\projects\m27588\sweping\contract\2008.dgn
 PLOT SCALE = 50.0000 / 1 IN.
 USER NAME = mdujje

REVISIONS		ILLINOIS DEPARTMENT OF TRANSPORTATION
NAME	DATE	
		DISTRICT ONE DETAILS: TYPICAL APPLICATION OF TRAFFIC CONTROL DEVICES HIGHWAY OPERATIONS-DAY TIME ONLY
SCALE:	VERT. DATE	HORIZ. CHECKED BY

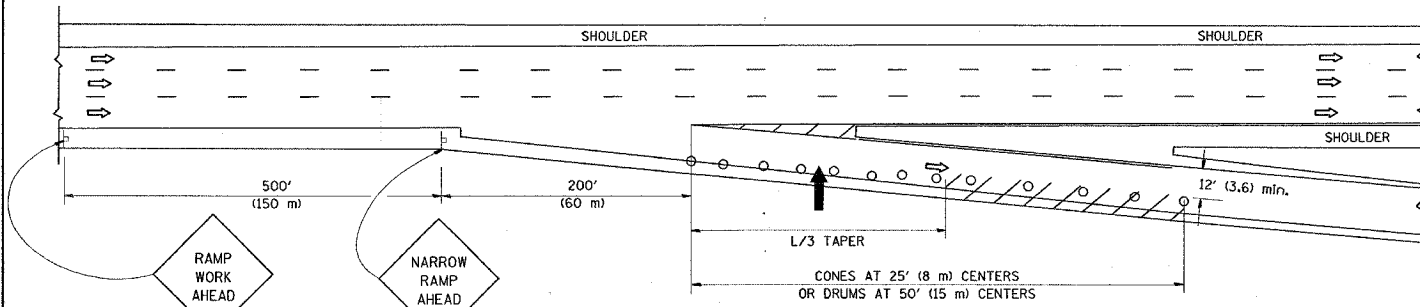
PARTIAL RAMP CLOSURE DETAILS

SHOULDER CLOSURE DETAILS

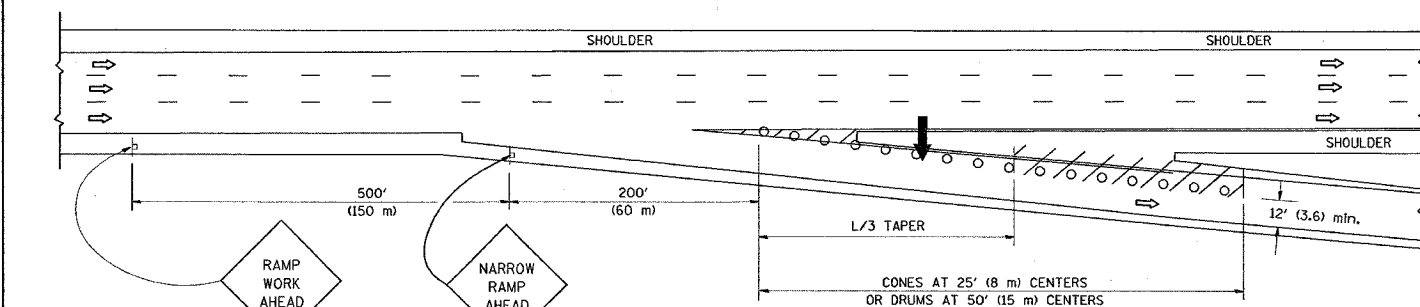
F.A. RTE.	SECTION	COUNTY	TOTAL SHEETS	SHEET NO.
VAR. 2007-064 I	MEHENRY	7	7	
STA. TO STA.		FED. ROAD DIST. NO. ILLINOIS FED. AID PROJECT		



TYPICAL ENTRANCE RAMP



TYPICAL EXIT RAMP



TYPICAL EXIT RAMP

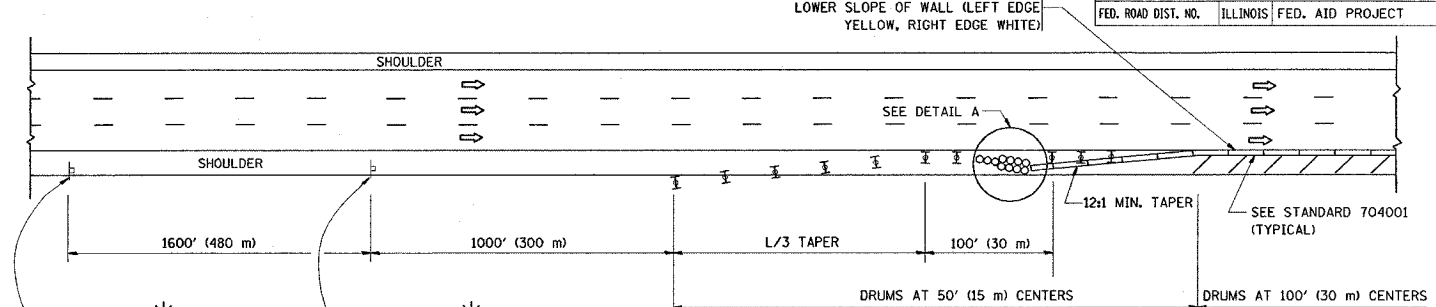
SYMBOLS

- ARROWBOARD
- WORK AREA
- SIGN ON PORTABLE OR PERMANENT SUPPORT
- FLAGGER WITH CONTROL SIGN
- TYPE II BARRICADE, DRUM OR VERTICAL BARRICADE WITH STEADY BURN MONO-DIRECTIONAL LIGHT
- CONE, DRUM OR BARRICADE

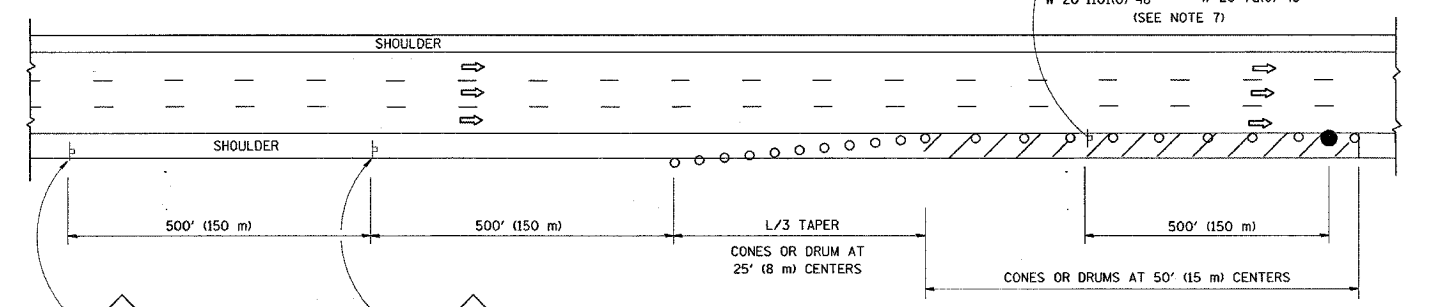
GENERAL NOTES

1. THE "L" DISTANCE EQUALS:

SPEED LIMIT	FORMULAS
45 mph (80 km/h) OR GREATER:	METRIC ENGLISH $L=0.65(W/S)$ $L=(W)(S)$
W = WIDTH OF OFFSET IN FEET (METERS)	S = NORMAL POSTED SPEED MPH (KM/H)
2. PLASTIC DRUMS WITH HIGH PERFORMANCE REFLECTIVE SHEETING AND STEADY BURNING LIGHTS ARE REQUIRED FOR ALL NIGHTTIME CLOSURES.
3. ALL SIGNS SHALL BE POST MOUNTED IF THE CLOSURE TIME EXCEEDS FOUR DAYS.
4. FLASHING LIGHTS SHALL BE USED DURING THE HOURS OF DARKNESS AND SHALL BE INSTALLED ABOVE THE FIRST TWO SETS OF SIGNS.

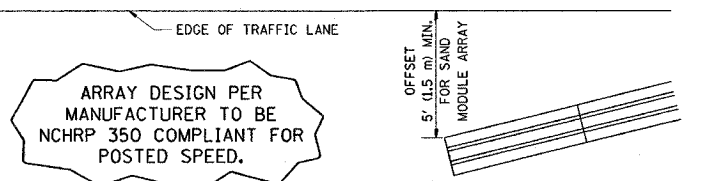


PERMANENT SHOULDER CLOSURE



DAYTIME SHOULDER CLOSURE

THIS DETAIL IS USED WHERE:
 1. VEHICLES, EQUIPMENT, WORKERS OR THEIR ACTIVITIES ENCR OACH IN AN AREA CLOSER THAN 15' (4.5 m) TO THE EDGE OF PAVEMENT FOR A PERIOD IN EXCESS OF 15 MINUTES.



DETAIL "A"
 IMPACT ATTENUATOR, TEMPORARY
 (SEE NOTE 5)

ALL DIMENSIONS ARE IN INCHES (MILLIMETERS) UNLESS OTHERWISE SHOWN.

REVISIONS	
NAME	DATE
DWS	11/96
JAF	12/02
NCHRP 350	04/03
JAF	2/06
SPB	1/07

ILLINOIS DEPARTMENT OF TRANSPORTATION
 TRAFFIC CONTROL DETAILS
 FOR FREEWAY
 SHOULDER CLOSURES
 PARTIAL RAMP CLOSURES

SCALE: NONE
 DESIGNED BY: DWS
 DRAWN BY: _____
 CHECKED BY: _____
 TC-17