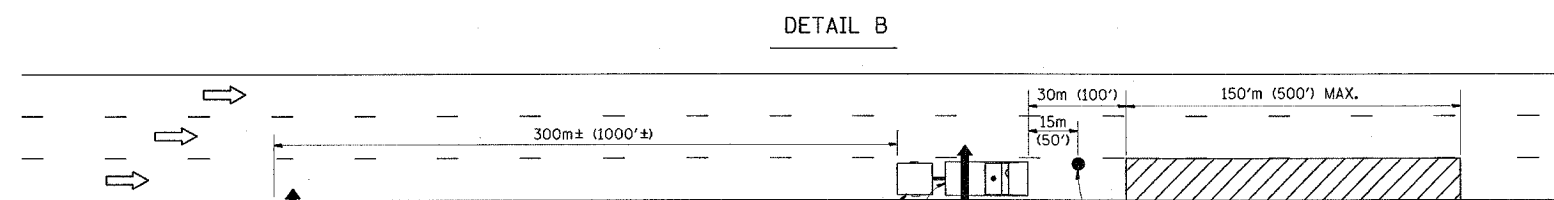
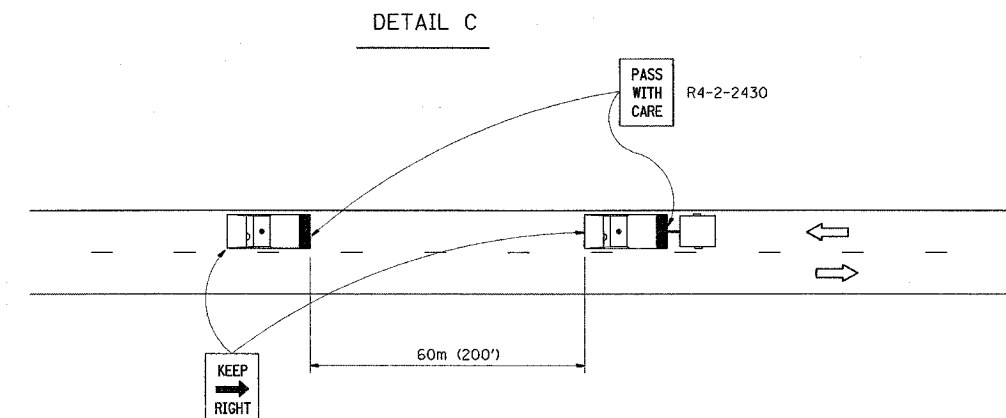
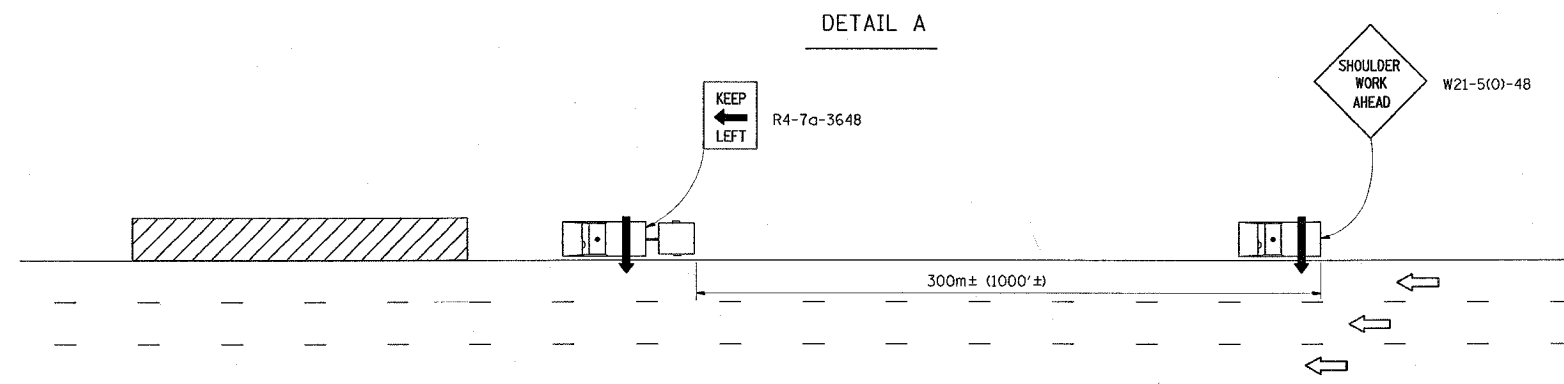


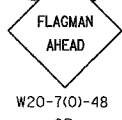
F.A. RTE.	SECTION	COUNTY	TOTAL SHEETS	SHEET NO.
VAR.	2007-0651	WILL	7	6
STA.	TO STA.			
FED. ROAD DIST. NO.	ILLINOIS	FED. AID PROJECT		



SEE EXPRESSWAY NOTE 2

TRUCK MOUNTED ATTENUATOR

SEE NOTE 3 OF GENERAL NOTES



GENERAL NOTES

1. WHEN THE SHOULDER DOES NOT EXIST, OR IS NARROW, FOLLOWING VEHICLES SHOWN ON THE SHOULDER SHALL RIDE AS CLOSE TO THE EDGE OF THE TRAVELLED WAY AS PRACTICAL AND THE SPACING TO THE NEXT VEHICLE REDUCED TO APPROXIMATELY 150m (500 FT).
2. THIS STANDARD IS ALSO APPLICABLE WHEN WORK IS BEING PERFORMED IN THE LEFT LANE(S) OR ON THE MEDIAN SHOULDER. UNDER THESE CONDITIONS, "KEEP RIGHT" SIGNS SHALL BE SUBSTITUTED FOR "KEEP LEFT" SIGNS AND ARROW BOARD INDICATIONS SHALL BE DIRECTED TO THE RIGHT.
3. WHEN FLAGGERS ARE SPECIFIED, FLAGGER SIGNS SHALL BE PLACED AS SHOWN.
4. WHEN USING DETAIL B, OR WHERE WORKERS ARE IN THE LEAD VEHICLE, OTHER THAN IN THE CAB, THE FOLLOWING VEHICLE SHALL BE POSITIONED BEHIND THE LEAD VEHICLE AND THE SPACING REDUCED TO APPROXIMATELY 150m (500 FT).
5. LONGITUDINAL DISTANCES MAY BE ADJUSTED TO FIT FIELD CONDITIONS. THE LATERAL PLACEMENT OF THE FLAGGER MAY BE VARIED FROM THAT SHOWN.
6. WATER TRUCKS USED TO CONTROL DUST PROPAGATION ARE ALLOWED TO OPERATE BY THEMSELVES. THEY SHALL AVOID SUDDEN STOPS.
7. ALL VEHICLES SHALL HAVE HEADLIGHTS AND EMERGENCY FLASHERS OPERATING AND SHALL DISPLAY AN AMBER COLORED OSCILLATING, ROTATING OR FLASHING LIGHT(S). AT LEAST ONE AMBER LIGHT IS TO BE VISIBLE FROM ANY DIRECTION.
8. ALL SWEEPERS, SIGN CLEANING TRUCKS, WATER TRUCKS AND FOLLOW VEHICLES SHALL HAVE ARROW BOARDS, AND APPROPRIATE SIGNS.

SYMBOLS

- ARROW BOARD (HAZARD MODE ONLY)
- ARROW BOARD
- FLAGGER WITH TRAFFIC CONTROL SIGNS
- WORK AREA
- TRUCK WITH FLASHING AMBER LIGHT
- TRUCK WITH FLASHING AMBER LIGHT AND TRUCK MOUNTED ATTENUATOR

EXPRESSWAY NOTES

1. A FOLLOW VEHICLE(S) WITH ARROW BOARD IS REQUIRED AT ALL TIMES.
2. TRUCK MOUNTED ATTENUATORS ARE REQUIRED ON ALL CLEANING OPERATIONS.
3. WHEN WITHIN THE INNER CITY LIMITS OR ON SHOULDERS THAT ARE TOO NARROW FOR THE FOLLOW VEHICLE, THE SECOND FOLLOW VEHICLE SHALL HAVE A TRUCK MOUNTED ATTENUATOR.
4. WHEN WORKING ON RAMP, THE SECOND FOLLOW VEHICLE SHALL REMAIN ON THE MAINLINE SHOULDER IN ADVANCE OF THE RAMP. THE FOLLOW VEHICLE SHALL HAVE A "RAMP WORK AHEAD" SIGN.
5. SIGN CLEANING SHALL HAVE THE SAME TRAFFIC CONTROL AND PROTECTION REQUIREMENTS AS OUTLINED FOR SWEEPING OPERATIONS.

ARTERIAL NOTES

1. DETAIL C SHALL APPLY
2. TRUCK MOUNTED ATTENUATORS ARE REQUIRED ON ALL CLEANING OPERATIONS.

PLOT DATE = 12/17/2007
 FILE NAME = c:\p\projects\1127988\expressway\trucks\2007.dgn
 PLOT SCALE = 50.0000 // IN.
 USER NAME = mdsjg

REVISIONS	
NAME	DATE

ILLINOIS DEPARTMENT OF TRANSPORTATION
 DISTRICT ONE DETAILS:
 TYPICAL APPLICATION OF
 TRAFFIC CONTROL DEVICES
 HIGHWAY OPERATIONS-DAY TIME ONLY

SCALE: VERT. _____
 HORIZ. _____
 DATE _____ DRAWN BY _____
 CHECKED BY _____