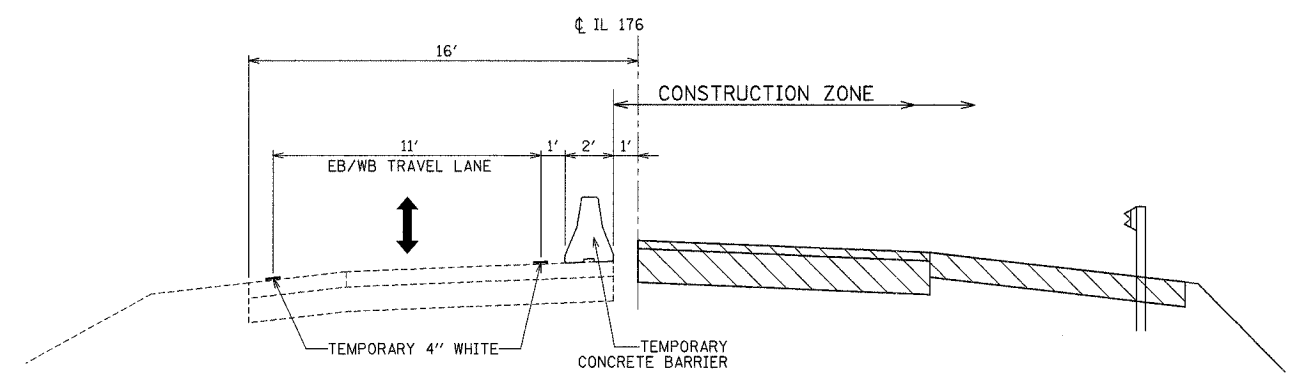
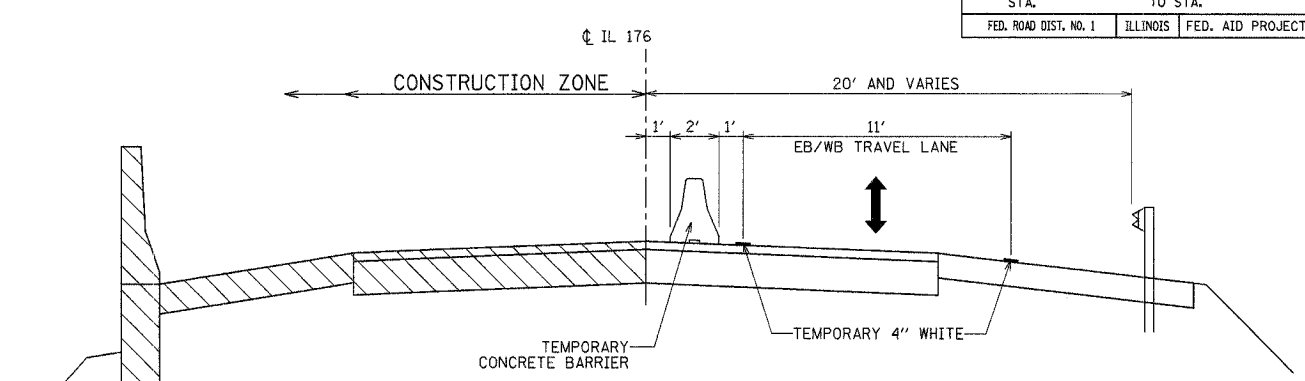


F.A. ROUTE NO.	SECTION	COUNTY	TOTAL SHEETS	SHEET NO.
533	119R-2-B	McHENRY	64	7
STA.		TO STA.		
FED. ROAD DIST. NO. 1		ILLINOIS	FED. AID PROJECT	

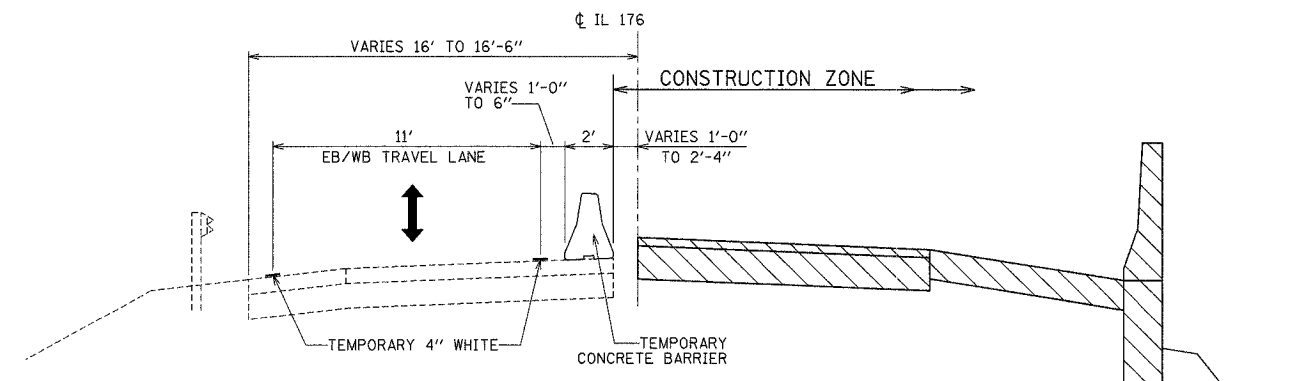
CONTRACT NO. 62336



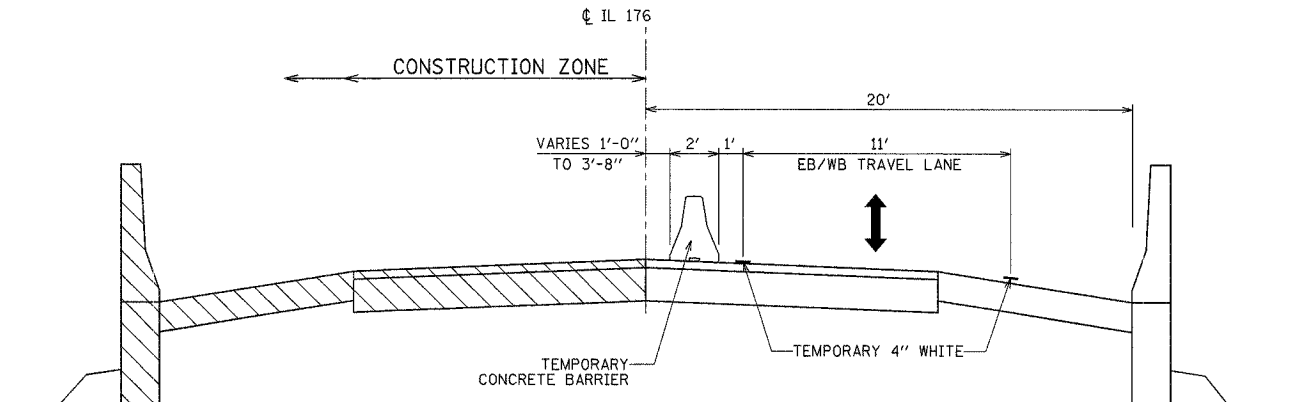
**TYPICAL SECTION
STAGE I CONSTRUCTION**
STA. 5+10 TO STA. 9+10
STA. 10+90 TO STA. 15+15
(LOOKING EAST)



**TYPICAL SECTION
STAGE II CONSTRUCTION**
STA. 5+10 TO STA. 8+80
STA. 11+20 TO STA. 15+15
(LOOKING EAST)



**TYPICAL SECTION
STAGE I CONSTRUCTION**
STA. 9+10 TO STA. 9+60
STA. 10+40 TO STA. 10+90
(LOOKING EAST)



**TYPICAL SECTION
STAGE II CONSTRUCTION**
STA. 8+80 TO STA. 9+60
STA. 10+40 TO STA. 11+20
(LOOKING EAST)

NOTES:

- SEE BRIDGE GENERAL PLAN FOR BRIDGE STAGING AND DIMENSIONS.
- REFER TO STANDARD 701321-08
- SHIFTING TAPERS FOR TEMPORARY CONCRETE BARRIER:
 - STAGE I: 1'-4" SHIFT STA. 9+10 TO STA. 9+50 AND STA. 10+50 TO STA. 10+90
 - STAGE II: 2'-8" SHIFT STA. 8+80 TO STA. 9+60 AND STA. 10+40 TO STA. 11+20.

LEGEND :

- AREA OF PROPOSED CONSTRUCTION
- COMPLETED WORK
- DIRECTION OF TRAFFIC

REVISIONS		ILLINOIS DEPARTMENT OF TRANSPORTATION ILLINOIS ROUTE 176 OVER THE KISHWAUKEE RIVER SUGGESTED CONSTRUCTION STAGING TYPICAL SECTIONS
NAME	DATE	
		SCALE: DATE: 10-05-07
		DRAWN BY: WS CHECKED BY: RJS
		GRAEF, ANHALT, SCHLOEMER & ASSOCIATES, INC. CHICAGO, ILLINOIS